



DF25 (V-twin)

OWNER'S MANUAL

Keep with boat at all times.

This owner's manual contains important information on safety, operation and maintenance.

MANUEL DU PROPRIETAIRE

Conserver ce manuel en permanence dans le bateau. Ce manuel du propriétaire contient d'importantes informations sur la sécurité, le fonctionnement et l'entretien.

Part No. 99011-95J10-03B
April, 2011 Eng. Fre. (TK)

INDEX

ENGLISH

FRANÇAIS

**WIRING DIAGRAM
SCHEMA DE CABLAGE**

DF25 (V-twin)

EN

OWNER'S MANUAL

IMPORTANT

▲ WARNING/ ▲ CAUTION/ NOTICE/ NOTE

Please read this manual and follow its instructions carefully. To emphasize special information, the symbol ▲ and the words **WARNING**, **CAUTION**, **NOTICE** and **NOTE** have special meanings. Pay special attention to the messages highlighted by these signal words.

▲ WARNING

Indicates a potential hazard that could result in death or serious injury.

▲ CAUTION

Indicates a potential hazard that could result in minor or moderate injury.

NOTICE

Indicates a potential hazard that could result in damage to the motor or boat.

NOTE:

Indicates special instructions to make maintenance easier or instructions clearer.

BREAK-IN INFORMATION FOR YOUR OUTBOARD MOTOR

The first 10 hours are the most important in the life of your engine. Proper operation during this break-in period is essential to help ensure maximum life and performance.

Refer to the BREAK-IN section of this manual for specific break-in recommendations.

IMPORTANT NOTICE TO OWNERS

▲ WARNING

Failure to take the proper precautions may increase the risk of death or severe injury to you and your passengers.

- Prior to first-time use of your outboard motor, familiarize yourself thoroughly with the contents of this owner's manual. Be aware of all outboard motor features and all safety and maintenance requirements.

- Inspect the boat and motor before each trip. See the **INSPECTION BEFORE BOATING** section for important items.
- Become thoroughly familiar with all operating and handling characteristics of your boat and motor. Practice at low and moderate speeds until you are competent at handling the boat and motor. Do not attempt to operate at maximum performance until you are completely familiar with all of these characteristics.
- Carry boating safety and emergency equipment. This important equipment includes; flotation aids for each person (plus one throwable buoyant cushion in any boat 16 feet or longer), fire extinguisher, sound signaling device, visual distress signals, anchor, bilge pump, bucket, compass, emergency starter rope, extra fuel and oil, first aid kit, flashlight, food and water, mirror, paddles, tool kit, and transistor radio. Be sure you are carrying the equipment appropriate for your trip before launching.
- Never start the engine or let it run indoors or where there is little or no ventilation. Exhaust gas contains carbon monoxide, a gas that is colorless and odorless and can cause death or severe injury.
- Instruct your passengers on how to operate the boat, how to deal with emergencies, and how to operate safety and emergency equipment.
- Do not hold onto the motor cover or any other parts of your outboard motor while getting on or off your boat.
- Ensure that everyone wears a life jacket on board.
- Never operate the boat while under the influence of alcohol or other drugs.
- Distribute all weight load evenly in the boat.
- Have all scheduled maintenance performed. Consult your authorized Suzuki marine dealer as required.

FOREWORD

- Do not modify or remove any outboard motor standard equipment. To do so may make the motor unsafe to use.
- Learn and obey all applicable navigation rules.
- Pay attention to all weather forecasts. Do not set out if weather is unsettled.
- Use extreme caution when purchasing replacement parts or accessories. Suzuki strongly recommends that you use only genuine Suzuki replacement parts/accessories or their equivalent. Inappropriate or poor quality replacement parts or accessories can create unsafe operating conditions.

NOTE:

Mounting radio transceiver or navigational equipment antennae too close to the engine cowling can cause electrical noise interference. Suzuki recommends that antennae be mounted at least one meter (40 inches) away from the engine cowling.

This manual should be considered a permanent part of the outboard motor and should remain with the outboard motor when resold or otherwise transferred to a new owner or operator. Please read this manual carefully before operating your new Suzuki and review the manual from time to time. It contains important information on safety, operation, and maintenance.

The proper care and maintenance that your outboard motor requires is outlined in this manual. By following these instructions explicitly you will ensure a long trouble-free operating life for your outboard motor. This outboard motor also conforms to the U.S. Environmental Protection Agency emission regulations which apply to new outboard motors. The proper adjustment of engine components is necessary for this outboard motor to comply with the EPA regulations. Therefore, please follow the maintenance instructions closely to ensure emission compliance. Your Suzuki dealer has experienced technicians that are trained to provide your outboard motor with the best possible service with the right tools and equipment.

All information in this manual is based on the latest product information available at the time of publication. Due to improvements or other changes, there may be discrepancies between information in this manual and your outboard motor. Suzuki reserves the right to make production changes at any time, without notice and without incurring any obligation to make the same or similar changes to outboard motors previously built or sold.

PLEASE PRESERVE NATURE

Protect and preserve your boating waters and their land access. Never pollute the water or land with oil, gas, or other harmful products. For example, make sure you dispose of used gear oil properly following a gear oil change. Also remember not to litter. With a little bit of effort, our boating waters can be enjoyed for many years to come.

Suzuki Motor Corporation believes in conservation and protection of Earth's natural resources.

To that end, we encourage every outboard motor owner to recycle, trade in, or properly dispose of, as appropriate, used oil and batteries.

TAKE A BOATING SAFETY CLASS

An educated boater will enjoy boating more and will be a safer boater. We recommend that you take a boating safety class.

Classes explaining required and recommended equipment for small boats and offering training in good seamanship are conducted by the U.S. Coast Guard Auxiliary, the U.S. Power Squadron, and many Red Cross chapters. For information on classes in your area, call toll-free 1-800-336-BOAT (2628).

Your state's department of boating and your Suzuki Marine dealer can supply you with additional information on boating safety and regulations, or you can call the U.S. Coast Guard Boating Safety Hotline toll-free at 1-800-368-5647.

California Proposition 65 Warning

WARNING

Engine exhaust, some of its constituents, and certain product components contain or emit chemicals known to the State of California to cause cancer and birth defects or other reproductive harm.

TABLE OF CONTENTS

FUEL AND OIL.....	6
GASOLINE	6
FILLING THE FUEL TANK	7
ENGINE OIL	8
GEAR OIL	8
LOCATION OF SAFETY LABELS	9
LOCATION OF PARTS.....	11
MOTOR INSTALLATION	13
BATTERY INSTALLATION	15
BATTERY REQUIREMENT	15
BATTERY INSTALLATION	15
USE OF ELECTRICAL ACCESSORIES.....	17
PROPELLER SELECTION AND INSTALLATION.....	17
PROPELLER SELECTION	17
PROPELLER INSTALLATION	18
ADJUSTMENTS.....	18
TRIM ANGLE ADJUSTMENT	18
TRIM TAB ADJUSTMENT	19
STEERING TENSION ADJUSTMENT	20
THROTTLE TENSION ADJUSTMENT	21
IDLE SPEED ADJUSTMENT.....	21
HIGH ALTITUDE OPERATION OF YOUR OUTBOARD MOTOR.....	22
CAUTION SYSTEM.....	22
OVER-REVOLUTION CAUTION SYSTEM	23
OIL PRESSURE CAUTION SYSTEM	23
COOLING WATER CAUTION SYSTEM	24
OPERATION OF TILTING SYSTEMS.....	25
TILT LOCK LEVER	25
TILT UP LOCK ARM.....	26
SHALLOW WATER POSITION	27
INSPECTION BEFORE BOATING ...	28
BREAK-IN	30

OPERATION	31
BEFORE ATTEMPTING TO START THE ENGINE.....	31
STARTING THE ENGINE	33
EMERGENCY STARTING	38
SHIFTING AND SPEED CONTROL ...	40
STOPPING THE ENGINE	41
MOORING	42
OPERATION IN SHALLOW WATER.....	43
OPERATION IN SALT WATER	43
OPERATION IN FREEZING WEATHER.....	43
MOTOR REMOVAL AND TRANSPORTING	44
MOTOR REMOVAL	44
MOTOR TRANSPORTING.....	44
TRAILERING	46
INSPECTION AND MAINTENANCE.....	47
MAINTENANCE SCHEDULE	47
SPARK PLUG	49
BREATHER AND FUEL LINE	50
ENGINE OIL	51
GEAR OIL	52
LUBRICATION	53
CORROSION PREVENTION	54
BATTERY	55
ENGINE OIL FILTER	56
FUEL FILTER.....	56
FLUSHING THE WATER PASSAGES.....	56
SUBMERGED MOTOR.....	58
STORAGE PROCEDURE	59
MOTOR STORAGE.....	59
BATTERY STORAGE	60
AFTER STORAGE	61
GENERAL INFORMATION.....	61
WARRANTIES (For U.S.A.).....	61
IDENTIFICATION NUMBER LOCATION	61
EMISSION CONTROL INFORMATION.....	62
TROUBLESHOOTING	62
SPECIFICATIONS	64

FUEL AND OIL

GASOLINE

Suzuki highly recommends that you use alcohol-free unleaded gasoline whenever possible, with a minimum pump octane rating of 87 ((R+M)/2 method). In some areas, the only fuels that are available are oxygenated fuels. Oxygenated fuels which meet the minimum octane requirement and the requirements described below may be used in your outboard motor without jeopardizing the New Outboard Motor Limited Warranty.

NOTICE

Use of leaded gasoline can cause engine damage. Use of improper or poor quality fuel can affect performance and may damage your motor and fuel system.

Use only unleaded gasoline. Do not use fuel having lower than the recommended octane, or fuel that may be stale or contaminated by dirt/water etc.

NOTE:

Oxygenated fuels are fuels which contain oxygen-carrying additives such as MTBE or alcohol.

Gasoline Containing MTBE

Unleaded gasoline containing MTBE (Methyl Tertiary Butyl Ether) may be used in your outboard motor if the MTBE content is not greater than 15%. This oxygenated fuel does not contain alcohol.

Gasoline/Ethanol Blends

Blends of unleaded gasoline and ethanol (grain alcohol), also known as gasohol, may be used in your outboard motor if the ethanol content is not greater than 10%.

Gasoline/Methanol Blends

Avoid using blends of unleaded gasoline and methanol (wood alcohol) whenever possible. **DO NOT USE** fuels containing more than 5% methanol under any circumstances. Fuel system damage or outboard motor performance problems resulting from the use of such fuels are not the responsibility of Suzuki and may not be covered under the New Outboard Motor Limited Warranty.

Fuel containing 5% or less methanol may be suitable for use in your outboard motor if they contain cosolvents and corrosion inhibitors.

Fuel Pump Labeling

In some states, pumps that dispense oxygenated fuels are required to be labeled for the type and percentage of oxygenate, and whether important additives are present. Such labels may provide enough information for you to determine if a particular blend of fuel meets the requirements listed above. In other states, pumps may not be clearly labeled as to the content or type of oxygenate and additives. If you are not sure that the fuel you intend to use meets these requirements, check with the service station operator or the fuel suppliers.

NOTE:

- *Be sure that any oxygenated fuel blend you use has octane ratings of at least 87 pump octane ((R+M)/2 method).*
- *If you are not satisfied with the driveability or fuel economy of your outboard motor when you are using a gasoline/alcohol blend, you should switch back to unleaded gasoline containing no alcohol.*
- *If engine pinging is experienced, substitute another brand, as there are differences between brands.*

NOTICE

Gasoline kept in the fuel tank for long periods of time will produce varnish and gum, which can damage the engine.

Always use fresh gasoline.

FILLING THE FUEL TANK

To fill the fuel tank:

1. Always stop the engine before refilling the tank.
2. Remove the portable fuel tank from the boat to refill it.

⚠ WARNING

Gasoline is extremely flammable and toxic. It can cause a fire and can be hazardous to people and pets.

Always take the following precautions when refueling:

- Never permit anyone other than an adult to refill the fuel tank.
- If you use a portable fuel tank, always stop the motor and remove the fuel tank from the boat to refill it.
- Do not fill the fuel tank all the way to the top or fuel may overflow when it expands due to heating by the sun.
- Be careful not to spill fuel. If you do, wipe it up immediately.
- Do not smoke, and keep away from open flames and sparks.

NOTICE

Fuels containing alcohol can cause paint damage, which is not covered under the New Outboard Motor Limited Warranty.

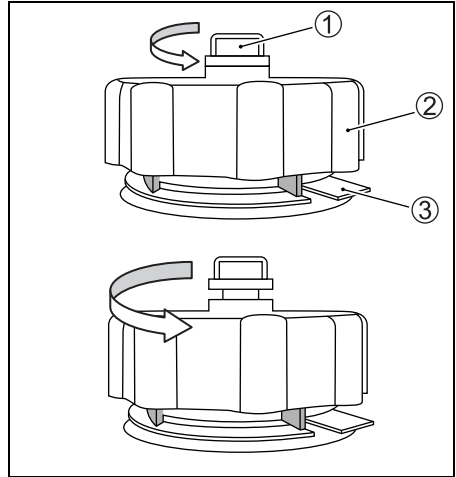
Be careful not to spill fuel containing alcohol while refueling. If fuel is spilled, wipe it up immediately.

3. Turn the air-vent screw ① on top of the fuel tank cap ② fully counterclockwise to open the vent.

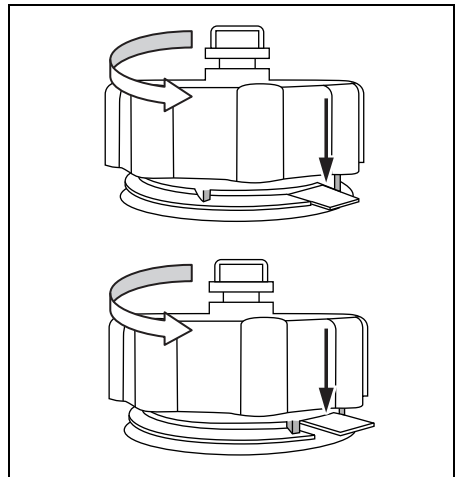
NOTE:

VENT SCREW should be **CLOSED** for transportation and **OPEN** for **OPERATION** and **CAP REMOVAL**.

4. Locate the pressure relief tab ③ under the fuel tank cap and turn the cap counterclockwise until the tab engages the first lock.



5. Press down on the tab, and release the lock, then rotate the fuel tank cap 1/4 turn. The tab will engage the second lock.
6. Press the tab down again and turn to remove the fuel tank cap.



7. Carefully refill the fuel tank with gasoline. **Do not over fill.**
8. Tighten the fuel tank cap until an audible "click" is heard.
9. Tighten the air-vent screw on top of the fuel tank cap.

ENGINE OIL

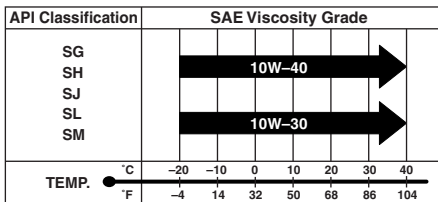
NOTICE

Use of poor quality engine oil can adversely affect engine performance and life.

Suzuki recommends that you use Suzuki Marine 4-Cycle Engine Oil or its equivalent.

Oil quality is a major contributor to your engine's performance and life. Always select good quality engine oil.

Suzuki recommends the use of SAE 10W-40 SUZUKI MARINE 4-CYCLE ENGINE OIL. If SUZUKI MARINE 4-CYCLE ENGINE OIL is not available, select a NMMA certified FC-W oil or good quality 4-cycle motor oil from the following chart according to the average temperatures in your area.



NOTE:

In very cold weather (below 5°C (41°F), use SAE (or NMMA FC-W) 5W-30 for easier starting and smooth operation.

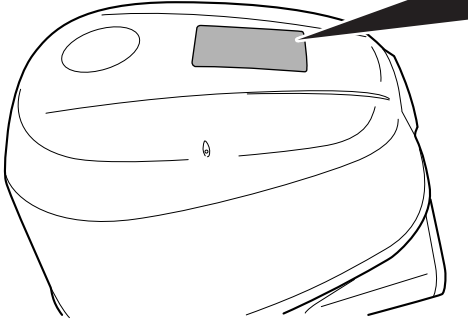
GEAR OIL

Suzuki recommends the use of SUZUKI HYPOID GEAR OIL. If it is not available, use SAE 90 hypoid gear oil which is rated GL-5 under the API classification system.

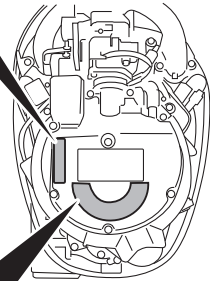
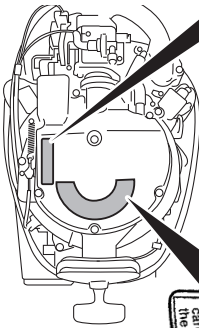
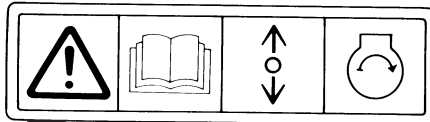
LOCATION OF SAFETY LABELS

Read and follow all of the labels on your outboard motor or fuel tank. Make sure you understand all of the labels.


Keep the labels on your outboard motor or fuel tank. Do not remove them for any reason.



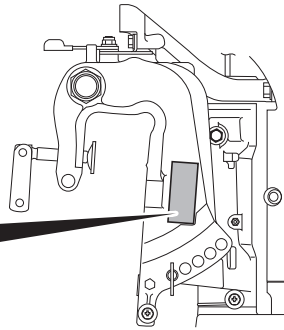
⚠ WARNING
<ul style="list-style-type: none"> • Ensure shift control is in neutral before starting motor. • When engine is running, do not remove or install motor cover. • Read owner's manual carefully before operating the motor.
⚠ AVERTISSEMENT
<ul style="list-style-type: none"> • S'assurer que le levier de changement de vitesse est au point mort avant de mettre le moteur en marche. • Quand le moteur est en marche, ne pas retirer ou remettre le capot du moteur. • Bien lire le manuel du propriétaire avant de mettre le moteur en marche.
⚠ ADVERTENCIA
<ul style="list-style-type: none"> • Asegúrese de que el control de cambio de marcha esté en punto muerto antes de arrancar el motor. • Cuando el motor esté funcionando, no monte ni desmonte la capota del motor. • Lea cuidadosamente el manual del propietario antes de utilizar el motor.



⚠ WARNING	⚠ AVERTISSEMENT	⚠ ADVERTENCIA
<ul style="list-style-type: none"> • When engine is running, keep your hands away from engine, propeller, etc. Read owner's manual before operating the motor. 	<ul style="list-style-type: none"> • Quand le moteur est en marche, éloigner les mains, les cheveux, les vêtements, etc. du moteur. Bien lire le manuel du propriétaire avant de mettre le moteur en marche. 	<ul style="list-style-type: none"> • Cuando el motor está funcionando, mantenga sus manos, cabello, ropas, etc. alejados del motor. Lea cuidadosamente el manual del propietario antes de utilizar el motor.

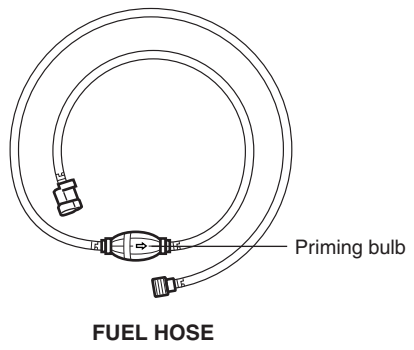
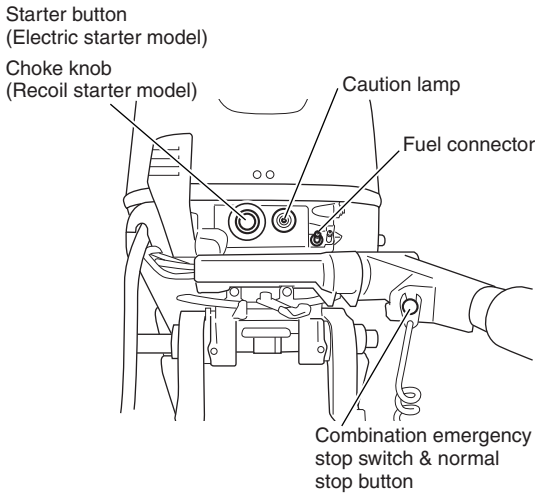
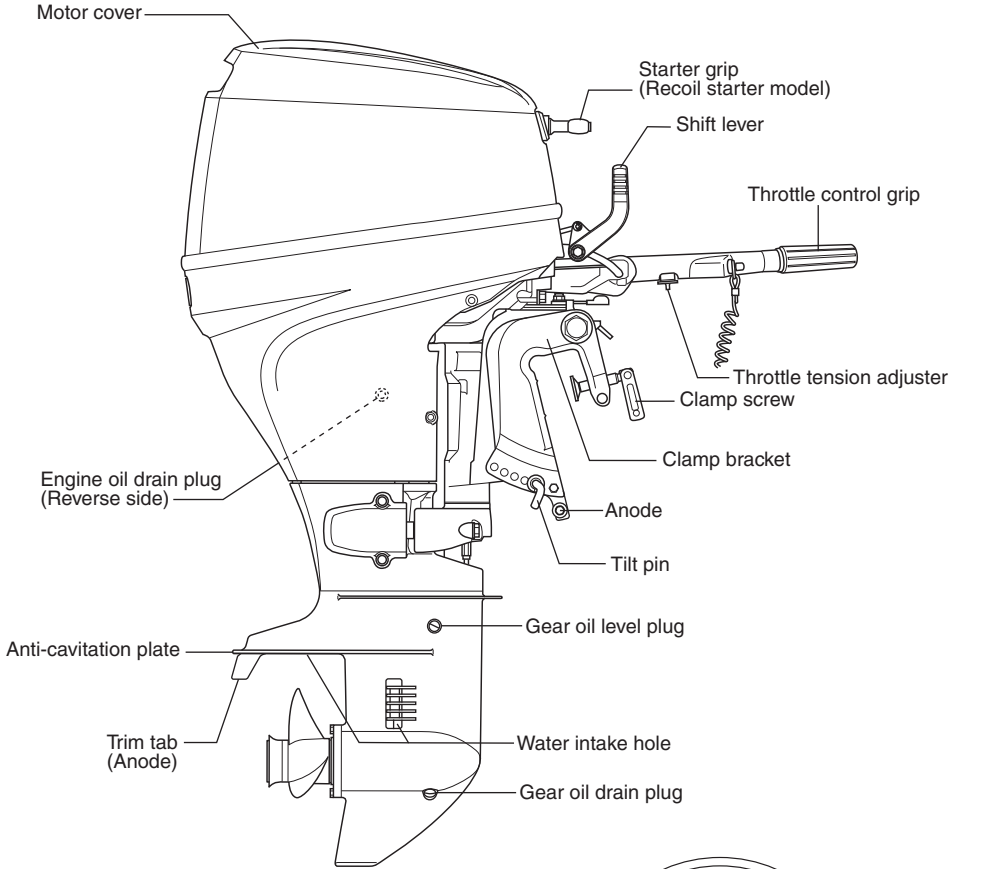


⚠ WARNING
To avoid injury, motor must be securely bolted to transom.
⚠ AVERTISSEMENT
Pour éviter les accidents, boulonner soigneusement le moteur à la voute.
⚠ ADVERTENCIA
Asegúrese de haber ajustado bien los tornillos para que el motor quede seguro en la embarcación.

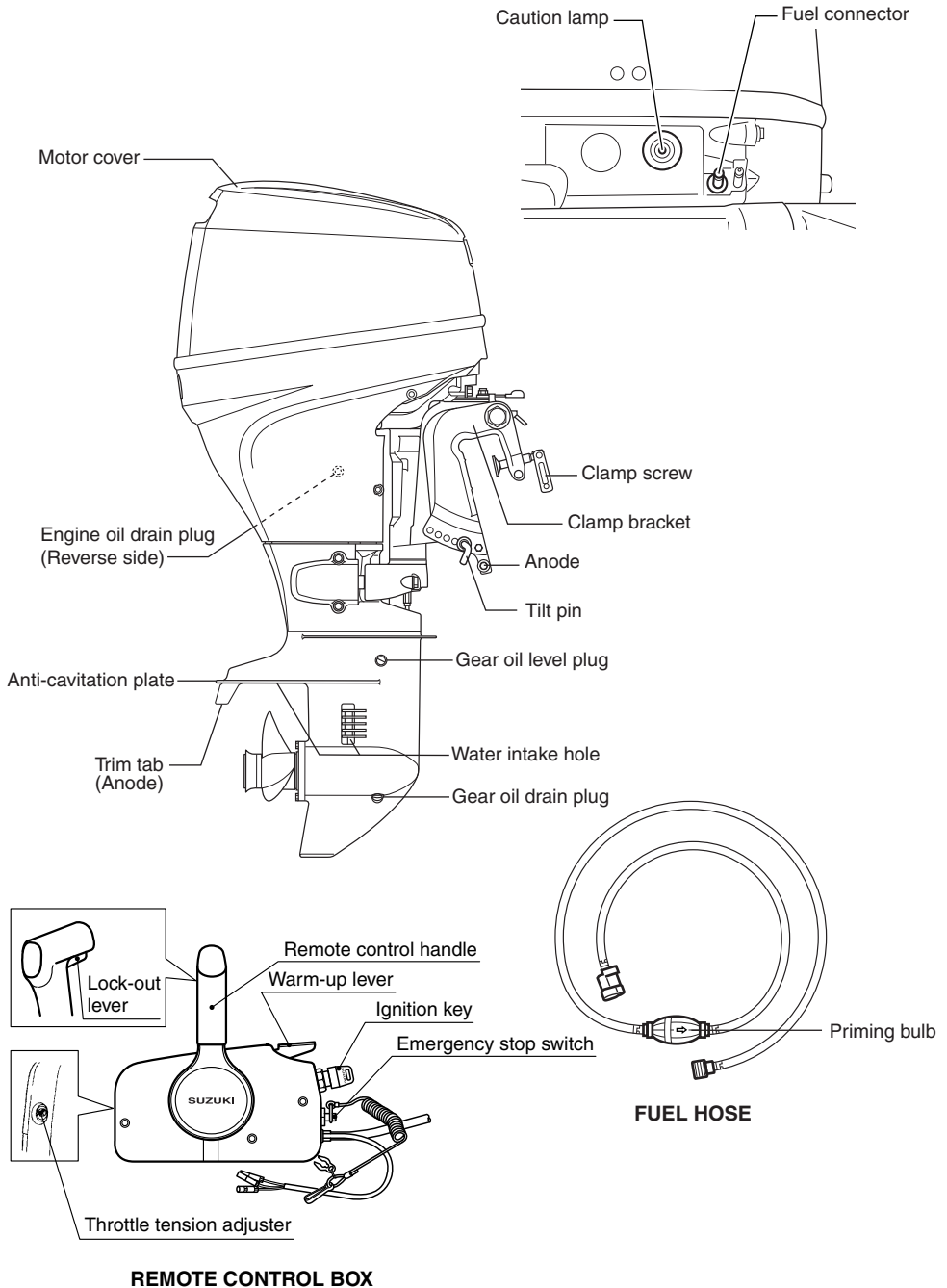


LOCATION OF PARTS

TILLER HANDLE MODEL



REMOTE CONTROL MODEL



MOTOR INSTALLATION

⚠ WARNING

Overpowering your boat can be hazardous. Excessive horsepower will have an adverse effect on hull safety and may cause operating/handling difficulties. The boat may also sustain stress and hull damage.

Never install an outboard motor with horsepower exceeding the manufacturer's recommended maximum horsepower listed on the boat's "Certification Plate". Contact your authorized Suzuki marine dealer if you are unable to locate the hull "Certificate Plate".

NOTE:

It is against federal regulations for any marine dealer to service a motor that exceeds the recommended maximum horsepower for your boat.

TILLER HANDLE MODEL

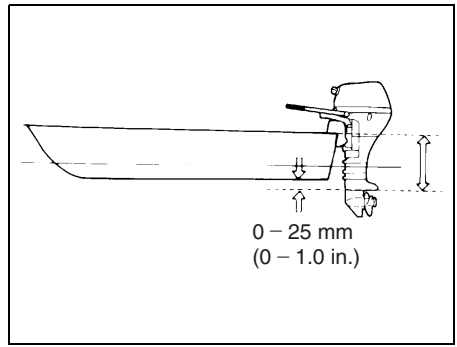
Proper transom height is important for good performance. A motor mounted on a transom that is too high causes the propeller to slip resulting in wasted power or overheating. A motor mounted on a transom that is too low will increase drag, causing reduced speed.

Make sure that when the motor is lowered all the way down, the anti-cavitation plate is located 0 – 25 mm (0 – 1.0 in.) below the bottom of the boat (See illustration below).

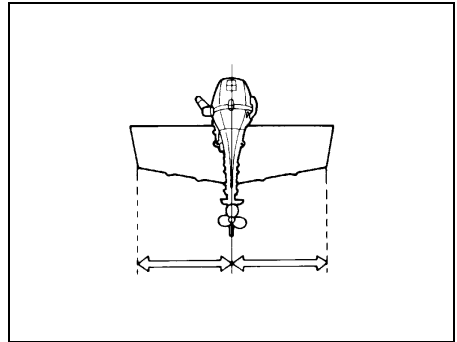
NOTICE

Operating your outboard motor with the anti-cavitation plate above water can cause overheating and severe damage to your outboard motor.

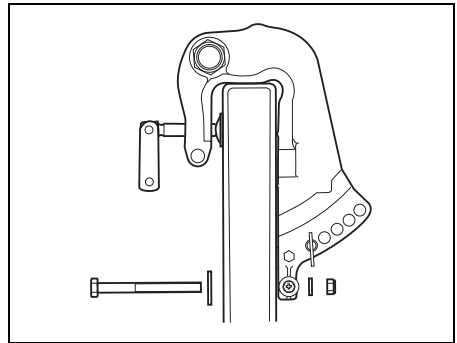
Do not operate your outboard motor with the anti-cavitation plate above water.



Center the motor on the transom and secure it by alternately tightening the clamp bracket screws by hand. Make sure you accurately center the motor, or the boat will pull to one side during operation.



Install 10 mm bolts, washers and nuts, as illustrated and tighten the bolts sequentially. Be sure to seal the holes to prevent water leakage.



After installing the motor, check to make sure that steering and tilt movement are not obstructed by any part of the boat. Also make sure that the battery cable (if applicable) doesn't interfere with movement of the motor.

▲ WARNING

If the motor is not properly secured to the transom, it can come off.

Be sure to bolt the motor to the transom. The motor may come off if it is held only by the clamp screws. Occasionally check the clamp screws for tightness.

NOTICE

If you attempt to mount the outboard to the transom without having mechanical experience or without being certain where to drill holes, you can seriously damage the boat.

If you do not have mechanical experience or are not sure of where to drill holes in the boat's transom, you should have your motor mounted by your authorized Suzuki marine dealer.

REMOTE CONTROL MODEL

Suzuki strongly recommends that you have your outboard motor, controls and gauges installed by your authorized Suzuki Marine Dealer. He has the tools, the facilities and the know-how to do the job correctly.

▲ WARNING

Failure to have your outboard motor and associated controls and gauges properly installed can result in personal injury or damage.

Suzuki strongly recommends that you have your outboard motor, controls and gauges installed by your authorized Suzuki marine dealer. He has the tools, the facilities, and the know-how to do the job correctly.

BATTERY INSTALLATION

BATTERY REQUIREMENT

Choose a 12 Volt cranking-type lead acid battery that meets the specifications shown below.

**450 Marine Cranking Amps (MCA)/ABYC,
or 330 Cold Cranking Amps (CCA)/SAE
or 70 Reserve Capacity (RC) Minutes/SAE**

NOTE:

- The specifications listed above are the minimum battery rating requirements for starting the engine.
- Additional electrical loads from the boat will require larger capacity batteries. Consult your Suzuki dealer to determine the proper battery sizing for your boat and engine combination.
- Dual-purpose (Cranking/Deep-cycle) batteries can be used if they meet the minimum specifications listed above (MCA, CCA, or RC).
- Do not use a Deep Cycle battery for the main cranking battery.
- The use of Maintenance-Free, sealed, or Gel-Cell batteries is not recommended because they may not be compatible with Suzuki's charging system.
- When connecting batteries in parallel, they must be of the same type, capacity, manufacturer, and of similar age. When replacement is necessary, they should be replaced as a set. Consult your Suzuki dealer for proper battery installation information.

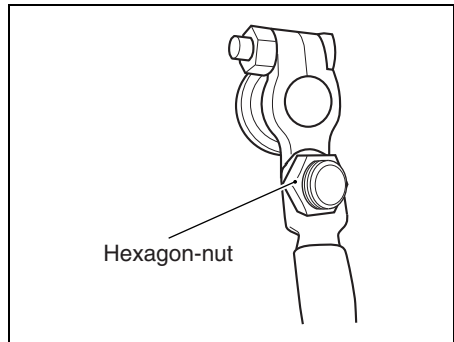
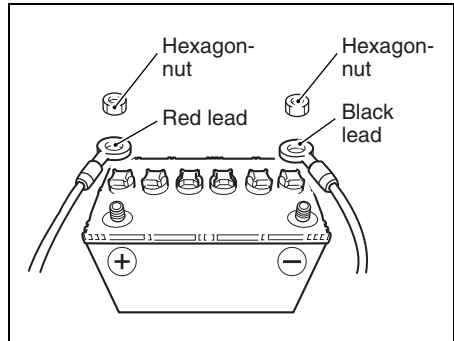
BATTERY INSTALLATION

Secure the battery in a dry area of the boat, away from vibration.

NOTE:

- It is recommended that the battery be installed in an enclosed battery case.
- When connecting batteries, hexagon-nuts must be used to secure battery leads to battery posts.

To hook up the battery, first connect the red lead from the motor to the positive battery terminal, then connect the black lead to the negative battery terminal.



To remove the battery, first disconnect the black lead from the negative terminal, then disconnect the red lead from the positive terminal.

Connecting and disconnecting the battery as described above will help minimize the chance of creating an accidental short circuit and sparks.

⚠ WARNING

If you place the battery near the fuel tank, a spark from the battery may ignite the gasoline, causing a fire and/or an explosion.

Do not place the fuel tank in the same compartment/area as the battery.

⚠ WARNING

Batteries produce flammable hydrogen gas and may explode if they are near flames or sparks.

Never smoke or cause sparks when working near the battery. Keep the battery away from open flames. To avoid creating a spark when charging the battery, connect the battery charger cables to the proper terminals before turning the charger on.

⚠ WARNING

Battery acid is poisonous and corrosive. It can cause severe injury and can damage painted surfaces.

Avoid contact with eyes, skin, clothing, and painted surfaces. If battery acid comes in contact with any of these, flush immediately with large amounts of water. If acid contacts the eyes or skin, get immediate medical attention.

NOTICE

The electrical system or its components may be damaged if proper battery precautions are not followed.

- Be sure to attach battery leads correctly.
- Do not disconnect battery leads from the battery while the engine is running.

USE OF ELECTRICAL ACCESSORIES

To use electrical accessories, you must purchase a 40 AH or larger battery, rectifier and related items. (Recoil starter model only).

NOTICE

If you connect electrical accessories directly to the power receptacle of the motor, the electrical accessories could be damaged.

Connect lights and electrical accessories for the boat to the battery. Consult your authorized Suzuki marine dealer for information about correct wiring.

The amount of power (12V DC) available for accessories depends on the operating condition of the motor. For getting a detailed information, please contact your authorized Suzuki Marine Dealer.

NOTE:

Use of too much power for electrical accessories under certain operating conditions can cause the battery to discharge.

NOTE:

On models equipped with a charge connector, detach the charge cord from the connector and install the cap to prevent water entry when not in use.

PROPELLER SELECTION AND INSTALLATION

PROPELLER SELECTION

It is essential to use a propeller on your outboard motor that is properly matched to your boat's operating characteristics. The speed of the engine when you operate your boat at full throttle depends on the propeller you use. Excessive engine speed can seriously damage the motor, while low engine speed at full throttle will adversely affect performance. Your operating load will also affect propeller selection. Smaller loads generally require larger-pitch propellers; larger loads generally require smaller-pitch propellers. Your authorized Suzuki Marine Dealer will assist you in selecting a suitable propeller for your boat.

NOTICE

Installing a propeller with either too much or too little pitch will cause incorrect maximum engine speed, which may result in severe damage to the motor.

Ask your authorized Suzuki marine dealer to assist you in selecting a suitable propeller for your boat.

You can determine if your propeller is appropriate for use with your boat by using a tachometer to measure engine speed when operating your boat at full throttle, under minimum load conditions. If you are using an appropriate propeller, the engine speed will be within the following range:

DF25	4700 – 5300 r/min. (min ⁻¹)
------	--

If the engine speed is not within this range, consult your authorized Suzuki Marine Dealer to determine which propeller size is best for you.

If you change propellers, be sure to perform the above check again, to confirm that the engine speed under full throttle is within the specified range.

PROPELLER INSTALLATION

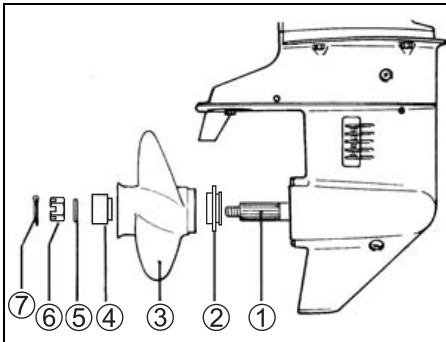
⚠ WARNING

Failure to take proper precautions when installing or removing the propeller can result in severe personal injury.

When installing or removing the propeller:

- Always shift into “Neutral” and remove the emergency stop switch lock plate so that the motor cannot be started accidentally.
- Wear gloves to protect hands, and “lock” the propeller by placing a block of wood between the blades and the anti-cavitation plate.

To install a propeller on your outboard motor, use the following procedure:



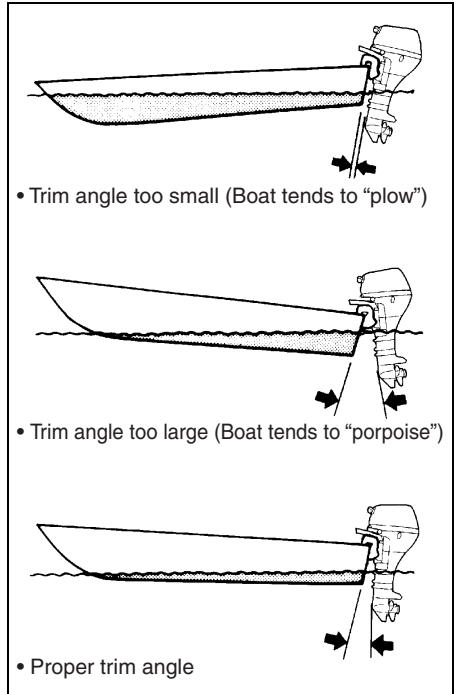
1. Coat the propeller shaft splines ① liberally with Suzuki water resistant grease to help prevent corrosion.
2. Place the stopper ② on the shaft.
3. Align the propeller ③ with the propeller shaft splines and slide the propeller onto the shaft.
4. Place the spacer ④ and washer ⑤ on the shaft.
5. Install the propeller nut ⑥ and tighten it with a torque wrench to 29 – 31 N·m (2.9 – 3.1 kg·m/21.0 – 22.5 lb·ft).
6. Align the grooves in the propeller nut with the hole in the shaft, then insert the cotter pin ⑦ and bend the pin ends over to lock it in place.

To remove the propeller, reverse the above procedure.

ADJUSTMENTS

TRIM ANGLE ADJUSTMENT

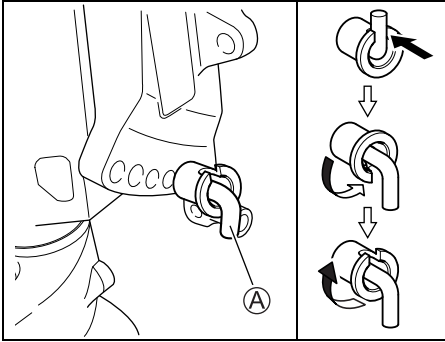
To help maintain steering stability and good performance, always maintain the proper trim angle as shown in the illustration. The appropriate trim angle varies depending on the combination of the boat, engine, and propeller, as well as operating conditions.



Make a test run in the boat to determine if the trim angle needs to be adjusted.

To adjust the trim angle:

1. Lock the motor in the fully tilted up position.
(Refer to the TILT UP LOCK ARM section)
2. Reposition the tilt pin (A) in the desired holes.



3. Lower the motor back down.

To lower the bow, move the pin towards the boat. To raise the bow, move the pin away from the boat.

After you have made an adjustment to the trim angle, make another test run to make sure you have adjusted it to the correct angle.

▲ WARNING

Trim angle greatly affects steering stability. If the trim angle is too small, the boat may “plow” or “bow steer”. If the trim angle is too large, the boat may “chine walk” from side to side or “porpoise” up and down. These conditions, which result in loss of steering control, can cause occupants to be thrown overboard.

Always maintain proper trim angle based on the combination of your boat, engine, and propeller, as well as operating conditions.

▲ WARNING

If you operate the motor with the tilt pin removed, you may not be able to control steering as expected.

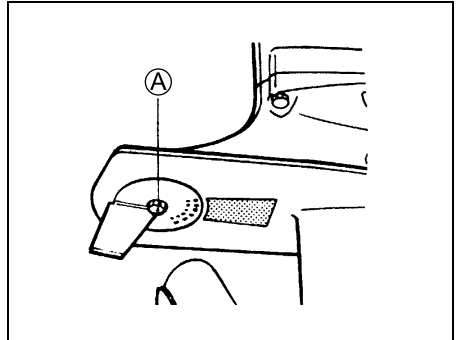
Do not operate the motor with the tilt pin removed.

TRIM TAB ADJUSTMENT

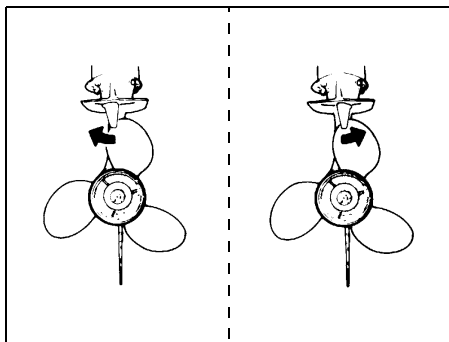
This adjustment is used to compensate for the possible tendency of your boat to veer slightly to port or starboard. This tendency could be due to such things as propeller torque, motor mounting position, etc.

To adjust the trim tab:

1. Loosen the bolt (A) that holds the trim tab in place.



- If the boat tends to veer to port, move the rear end of the trim tab toward the port side. If the boat tends to veer to starboard, move the starboard side.



- Tighten the bolt that holds the trim tab in place.

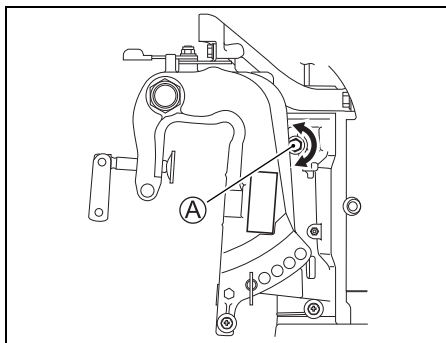
After adjusting the trim tab, check to see if the boat still tends to veer to one side. If necessary, readjust the trim tab.

STEERING TENSION ADJUSTMENT

The steering on your outboard motor should be smooth and not too tight. Adjust the steering tension so that there is only a slight resistance to steering movement.

REMOTE CONTROL MODEL

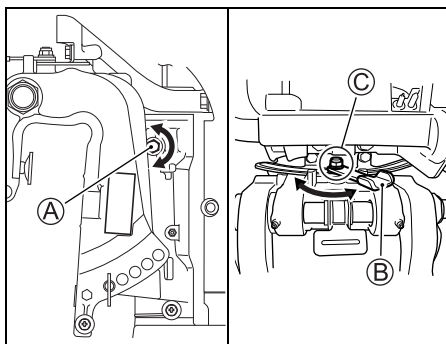
To increase the steering tension, turn the steering tension bolt **A** clockwise. To decrease the steering tension, turn the steering tension bolt counterclockwise.



TILLER HANDLE MODEL

To increase the steering tension, turn the steering tension bolt **A** clockwise. To decrease the steering tension, turn the steering tension bolt counterclockwise.

For auxiliary adjustment, use the steering tension lever **B**. To increase the steering tension, move the lever **B** to the left. To decrease the steering tension, move the lever to the right.



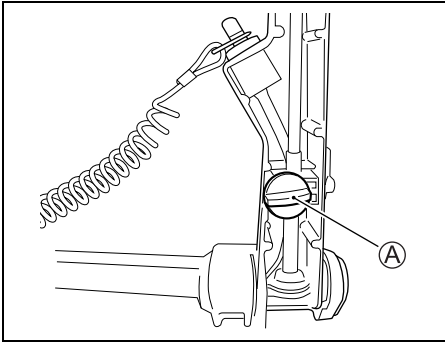
NOTE:

- To adjust the initial steering friction, fully loosen steering tension lever **B**, then set the steering friction with steering tension bolt **A**.
- Do not apply a grease to the area **C**.

THROTTLE TENSION ADJUSTMENT

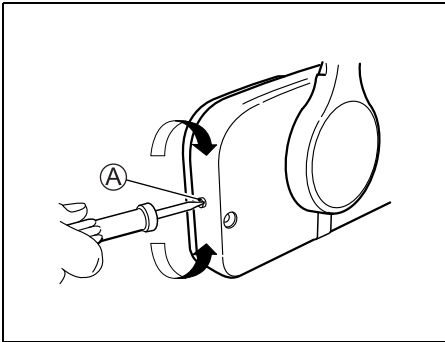
TILLER HANDLE MODEL

The tension of the throttle control grip can be adjusted according to your preference. To increase the tension, turn the throttle tension adjuster Ⓐ clockwise. To decrease the tension, turn the adjuster counterclockwise.



REMOTE CONTROL MODEL

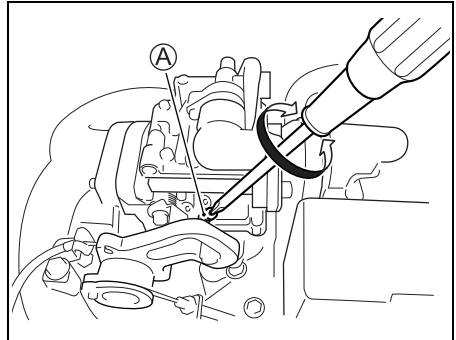
The tension of the remote control handle can be adjusted according to your preference. To increase the tension, turn the throttle tension adjuster Ⓐ clockwise. To decrease the tension, turn the adjuster counterclockwise.



IDLE SPEED ADJUSTMENT

The idle speed of your outboard motor has been set by your dealer. If it is necessary to adjust the idle speed, use the following procedure:

1. Warm up the engine for about 5 minutes.
2. Make sure that the motor is in "NEUTRAL" and the throttle control grip is fully closed.
3. Turn the idle adjustment screw Ⓐ clockwise to increase idle speed or counterclockwise to decrease idle speed.



Idle speed (in Neutral)	950 – 1050 r/min. (min ⁻¹)
----------------------------	---

NOTE:

If idle speed cannot be set within the specified range, contact your authorized Suzuki Marine Dealer.

HIGH ALTITUDE OPERATION OF YOUR OUTBOARD MOTOR

Your outboard motor is equipped with a carburetor that is designed for proper engine operation at various altitudes up to 5000 feet (1500 meters) elevation. If you operate your outboard motor at higher elevations, the change in air pressure may affect the standard carburetor air-fuel ratio and could make the engine run too rich. This could decrease engine performance, increase fuel consumption, cause difficult warm starting, and may cause an increase in exhaust gas emissions.

If you always operate your outboard motor at altitudes above 5000 feet (1500 meters), an alternative carburetor jetting specification is available that will adjust the air-fuel ratio to adjust for the change in air pressure resulting from high-altitude operation. These parts are available from Authorized Suzuki Marine Dealers and are designed for correct operation in your motor. If you need to apply these parts to your outboard motor, Suzuki recommends that you have them installed by an Authorized Suzuki Marine Dealer, or a qualified service professional.

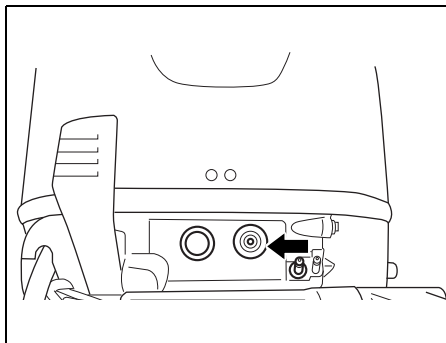
NOTICE

If you operate an outboard motor at low altitude (below 5000 feet (1500 meters)) when the engine has been modified for high-altitude operation, the engine could be damaged from overheating, or there could be excessive exhaust gas emissions.

Be sure to reinstall standard-specification jetting in any outboard that has been modified for high-altitude operation prior to operating the outboard at low altitude (below 5000 feet (1500 meters)).

CAUTION SYSTEM

The caution systems are designed to alert you to certain situations which may cause damage to your outboard motor.



NOTICE

Your outboard motor may become damaged if you rely on the Caution System to alert you to any malfunction that may occur or to give you an indication of the need for maintenance.

To avoid damage to your outboard motor, regularly inspect and maintain it.

NOTICE

Continuing to operate your outboard motor with the Caution System activated can result in severe damage to your outboard motor.

If the Caution System activates while you are operating your outboard motor, stop the motor as soon as possible and correct the problem or consult your authorized Suzuki marine dealer for assistance.

To inform you that the caution lamp is working, it will come on for a few seconds after the engine starts. On the remote control model, the buzzer in the remote control box will also sound.

NOTICE

If the Caution System is not working properly, you may not be alerted to a condition that can cause damage to your outboard motor.

If the caution lamp does not come on briefly once the engine starts, before turning OFF again, the caution lamp may be broken or a failure may exist in the system circuit. Consult your authorized Suzuki marine dealer.

NOTICE

Continuing to operate your outboard motor with the Oil pressure Caution System activated can result in severe damage to your outboard motor.

If the Oil Pressure Caution System activates, stop the engine as soon as possible and add oil if necessary. If the oil level is correct, consult your authorized Suzuki marine dealer.

OVER-REVOLUTION CAUTION SYSTEM

This system is activated when engine speed exceeds the maximum recommended speed for more than 10 seconds.

If this system activates, engine speed will automatically be reduced to approximately 3000 r/min. with the caution lamp lit.

This system must be reset by moving the throttle to the idle position for about one second to restore full engine operation.

NOTICE

If the Over-Revolution Caution System activates at recommended maximum throttle and you are sure that the propeller pitch is sufficient and there are no factors like “over-trimming” or “ventilation”, there may be a problem with the Over-Revolution Caution System.

Consult your authorized Suzuki marine dealer if the Over-Revolution Caution System activates for no apparent reason.

OIL PRESSURE CAUTION SYSTEM

This system operates when the engine lubricating oil pressure drops below the correct pressure.

If this system activates, the caution lamp will light. On the remote control model, the buzzer in the remote control box will simultaneously begin a series of beeps. When this system is activated at 2000 r/min. or higher, engine speed will automatically be reduced to approximately 2000 r/min.

If this system activates when operating, stop the engine immediately, if wind and water conditions make it safe to do so.

WARNING

If you attempt to remove or reinstall the motor cover while the engine is running, you may be injured.

To check the oil level, stop the engine and then remove the motor cover.

Check the oil level and add oil if necessary. If the oil level is correct, consult your authorized Suzuki Marine Dealer.

NOTICE

Your engine may become severely damaged if you rely on the Oil Pressure Caution System to indicate the need to add engine oil.

Check the engine oil level periodically and add oil as necessary.

NOTICE

Operating the engine with the Oil Pressure Caution System activated can result in severe engine damage.

If the Oil Pressure Caution System activates, stop the engine as soon as possible and add engine oil, if necessary, or otherwise correct the problem.

COOLING WATER CAUTION SYSTEM

This system is activated when the cylinder wall temperature is too high due to insufficient water cooling.

NOTE:

The cooling water caution system will not detect high combustion chamber temperature caused by, for example, an oil system malfunction, poor quality fuel, or spark plugs with an incorrect heat range.

If this system activates, the caution lamp will light. On the remote control model, the buzzer in the remote control box will simultaneously begin a series of beeps. When this system is activated at 2000 r/min. or higher, engine speed will automatically be reduced to approximately 2000 r/min.

If the cooling water caution system activates when operating, reduce engine speed immediately and check to see if water is being discharged from the pilot water hole. If no water is seen, follow the procedures outlined below.

Water and wind conditions permitting, stop the motor, tilt it out of the water and remove any debris like seaweed, plastic bags or sand that may have blocked the water intakes.

Lower the motor into the water, being sure that water intakes are immersed, and restart it.

Check (A) that water discharges from the pilot hole and (B) that the caution lamp is no longer lit.

Be aware that the caution lamp may light again if engine temperature rises abnormally. If either of the above situations arises, your authorized Suzuki Marine Dealer must be consulted as soon as possible.

NOTE:

If pilot hole water discharge is sufficient, the caution lamp (and buzzer) may still operate until engine temperature decreases. Run the engine in NEUTRAL only until the caution systems are cancelled.

NOTICE

Operating the engine with the Cooling Water Caution System activated can result in severe engine damage.

If the Cooling Water Caution System activates, stop the engine as soon as possible, wind and water conditions permitting, and inspect the engine according to the above instructions. Consult your authorized Suzuki marine dealer if you cannot correct the problem.

NOTE:

If the engine is operated beyond the maximum trim position, the water intake holes may be above the water line. In this situation, the cooling water caution system may activate.

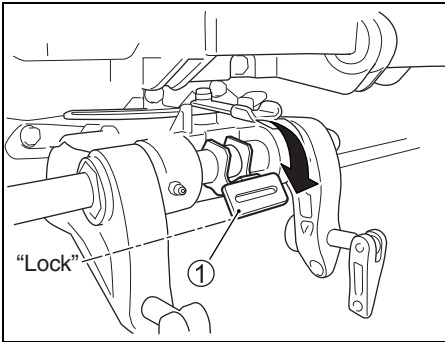
OPERATION OF TILTING SYSTEMS

TILT LOCK LEVER

The tilt lock lever ① has two positions.

“LOCK” Position (DOWN)

Use this position when “REVERSE” gear is engaged and in normal deep water operation where there is no likelihood of striking underwater objects. Placing the tilt lock lever in the “lock” position prevents the motor from lifting out of the water due to forces such as propeller thrust during operation in “REVERSE” gear or rapid deceleration.



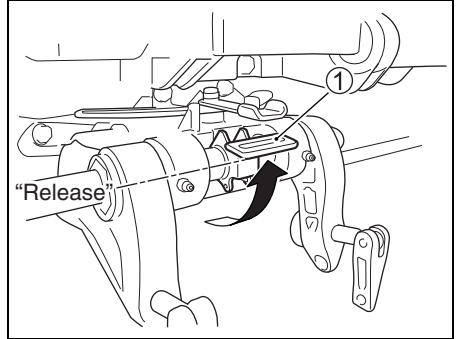
NOTICE

If you strike an underwater object with the tilt lock lever in the “LOCK” position, your outboard motor or boat may be damaged.

When operating the motor in an area where you may encounter underwater objects, move the tilt lock lever to the “RELEASE” position and operate the motor only at very low speeds.

“RELEASE” Position (UP)

Use this position in “FORWARD” gear when unsure of depth or concealed objects. Placing the tilt lock lever in the “release” position allows the motor to tilt up if you strike an underwater object, reducing the chance of damage to the motor. Refer to the OPERATION IN SHALLOW WATER section for details on shallow water operation.



⚠ WARNING

When you operate the motor with the tilt lock lever in the “Release” position, the tilt lock will not work. As a result, forces such as from propeller thrust during operation in “REVERSE” gear, rapid deceleration, and striking an underwater object can cause the motor to lift out of the water, resulting in personal injury.

When using the “Release” position, proceed with caution and only at very low speed.

TILT UP LOCK ARM

The tilt up lock arm is used to hold the motor in the fully tilted up position.

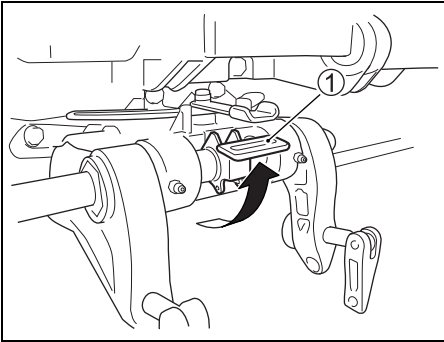
▲ WARNING

If you place your hands near the mounting bracket or under the motor when tilting it, your hands can be crushed if the motor slips from your grasp.

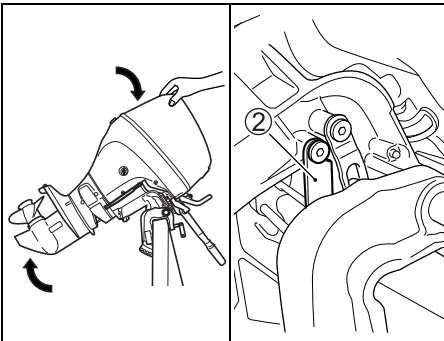
Never place your hands near the mounting bracket or under the motor when tilting it.

To hold the motor in the fully raised position:

1. Shift into "NEUTRAL".
2. Move the tilt lock lever ① to the "release" position.



3. Grab the handle on the back of the motor cover and tilt the motor all the way up until it is automatically locked in the fully tilted up position by the tilt up lock arm ②.



NOTICE

If you use the throttle grip handle to raise or lower the motor, the handle may break.

Never use the throttle grip handle to raise or lower the motor.

▲ WARNING

If you do not take proper precautions when tilting up the motor, fuel may leak out.

Disconnect the fuel line whenever you leave the motor tilted up for a long period of time.

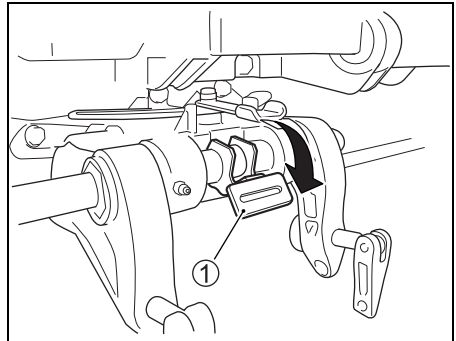
NOTICE

If you use the tilt up lock arm to hold the motor in the fully tilted position for trailering, the tilt up lock arm could release resulting in damage to the motor.

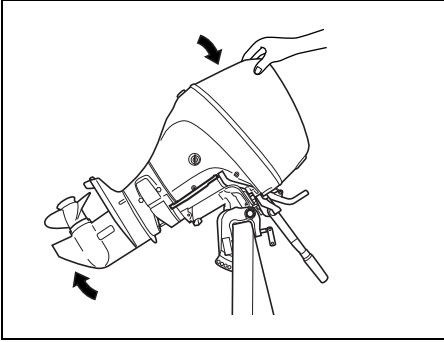
When trailering your boat, never use the tilt up lock arm to hold the motor in the fully tilted position.

To lower the motor back down:

1. Move the tilt lock lever ① to the lock position.



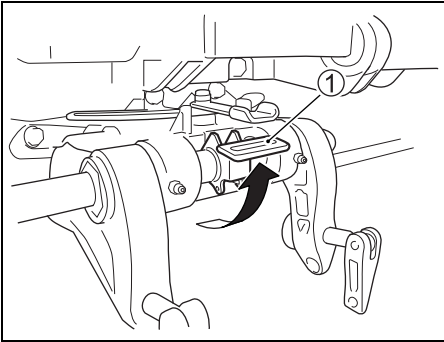
2. Pull the motor slightly towards you and slowly let the motor down.



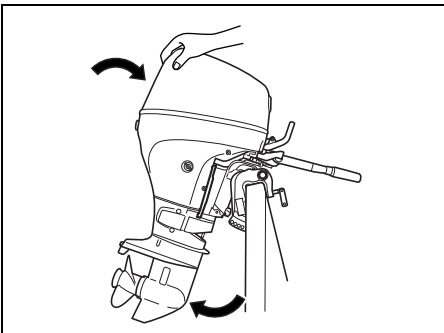
SHALLOW WATER POSITION

To set the shallow water position:

1. Sift into "NEUTRAL".
2. Move the tilt lock lever ① to the release position.



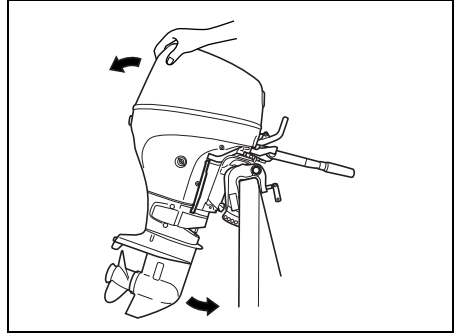
3. Slowly tilt the motor up until you hear it make a "click" sound.



4. Slowly lower the motor. It will stop in a position that is slightly tilted up from the normal trim angle.

NOTE:

There are two shallow water positions. Use whichever one is appropriate, depending on the depth of the water.



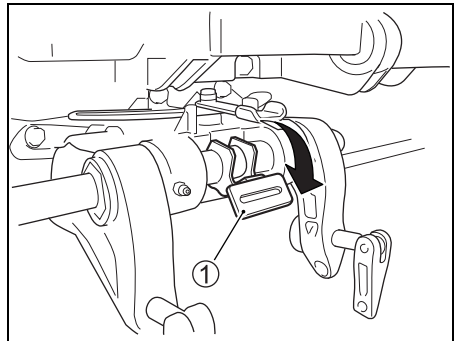
⚠ WARNING

When the shallow water position is used, the tilt lock will not work. As a result, forces such as from propeller thrust during operation in "REVERSE" gear, rapid deceleration, and striking an underwater object can cause the motor to lift out of the water, resulting in personal injury.

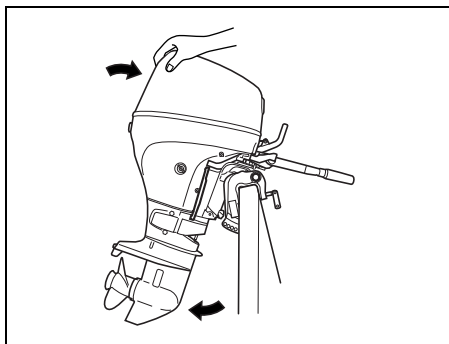
When using the shallow water position, proceed with caution and only at very low speeds.

To lower the motor back down:

1. Move the tilt lock lever ① to the lock position.



2. Pull the motor slightly towards you and slowly let the motor down.



INSPECTION BEFORE BOATING

▲ WARNING

Failure to inspect your boat and motor before beginning a trip can be hazardous.

Before boating, always perform the inspections described in this section.

It is important to make sure that your boat and motor are in good condition and that you are properly prepared for an emergency.

Always perform the following checks before you begin boating:

- **Check that you have enough fuel for the intended run.**
- **Check the level of engine oil in the sump.**

NOTICE

Running the engine with an insufficient amount of oil can cause serious engine damage.

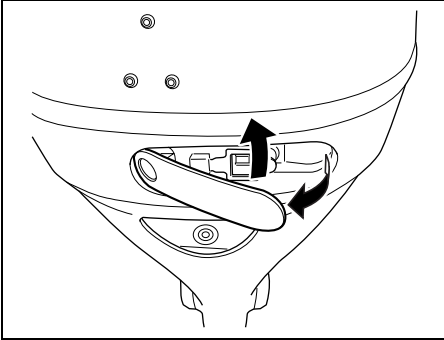
Always check the oil level before each trip and add oil if necessary.

To check the oil level:

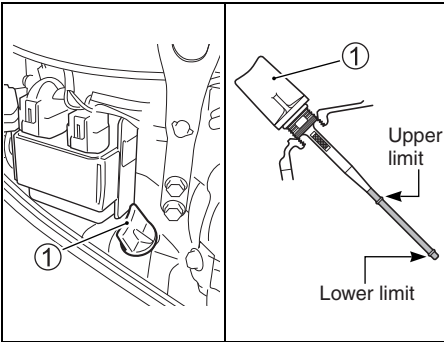
NOTE:

To avoid an incorrect assessment of engine oil level, check the level only when the engine has cooled.

1. Place the motor in a vertical position and remove the motor cover by unlocking the lever.



2. Remove the oil filler cap (dipstick) ① and wipe oil off with a clean cloth.
3. To check the oil level, touch the filler cap threads onto the filler cap edge as shown. Do not screw the filler cap.

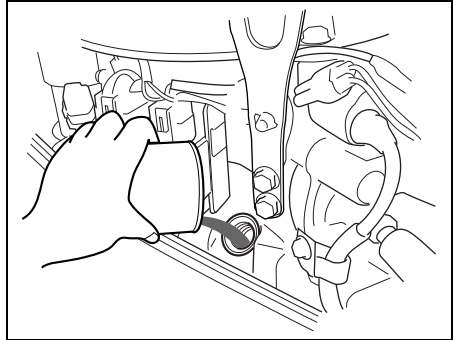


NOTE:
If the engine oil is contaminated or discolored, replace with fresh engine oil (Refer to Inspection and maintenance/engine oil section).

The oil on the dipstick should be between the upper and lower limits shown on the dipstick. If the oil level indication is near the lower limit, add enough oil to raise the level to the upper limit.

To fill the engine with oil:

1. Remove the oil filler cap.
2. Fill with recommended engine oil to the upper level.



NOTICE

Running the engine with an excessive amount of oil can damage the engine.

Do not overfill the engine with oil.

3. Tighten the oil filler cap securely.

- **Check the battery solution level.**
The level should be kept between the **MAX** and the **MIN** level lines at all times. If the level drops below the **MIN** level line, refer to the **MAINTENANCE** section.
- **Make sure that the battery leads are securely connected to the battery terminals.**
- **Visually check the propeller to make sure it is not damaged.**
- **Make sure the motor is securely mounted to the transom.**
- **Make sure the tilt pin is securely installed in the proper position.**
- **Make sure the starter rope is free from any evidence of fraying or wear. (Recoil starter model)**
- **Make sure you have the boating safety and emergency equipment on board.**

BREAK-IN

Proper operation during the break-in period will help ensure maximum life and performance from your engine. The following guidelines will explain proper break-in procedures.

NOTICE

Failure to follow the break-in procedures described below can result in severe engine damage.

Be sure to follow the engine break-in procedures described below.

Break-in period: 10 hours

Break-in procedure

1. For the initial 2 hours:
Allow sufficient idling time (about 5 minutes) for the engine to warm up after cold engine starting.

NOTICE

Running at high speed without sufficient warm-up may cause severe engine damage such as piston seizure.

Always allow sufficient idling time (5 minutes) for the engine to warm-up before running at high speed.

After warming up, run the engine at idling speed or the lowest in-gear speed for about 15 minutes.

During the remaining 1 hour and 45 minutes, if safe boating conditions permit, operate the engine in gear at less than 1/2 (half) throttle (3000 r/min.).

NOTE:

You may throttle up beyond the recommended operating range to plane your boat, then immediately reduce the throttle to the recommended operating range.

2. For the next 1 hour:

Safe boating conditions permitting, operate the engine in gear at 4000 r/min. or at three-quarter throttle. Avoid running the engine at full throttle.

3. Remaining 7 hours:

Safe boating conditions permitting, operate the engine in gear at the desired engine speed.

You may occasionally use full throttle; however do not operate the engine continuously at full throttle for more than 5 minutes at any time.

NOTICE

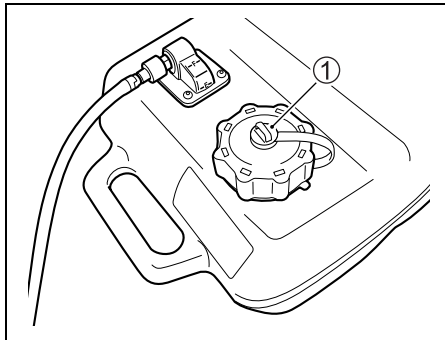
Running continuously at full throttle for more than 5 minutes at a time during the last 7 hours of break-in operation may cause severe engine damage such as seizure.

During the last 7 hours of break-in operation, do not operate at wide open throttle for more than 5 minutes at a time.

OPERATION

BEFORE ATTEMPTING TO START THE ENGINE

1. Lower the motor into the water.
2. If there is a manual fuel tank air-vent, turn the air-vent screw ① on top of the fuel tank cap fully counterclockwise to open the vent.



▲ WARNING

When connecting the fuel hose to the portable fuel tank or motor, the fuel may be under pressure and may spray out around the connector, causing serious injury.

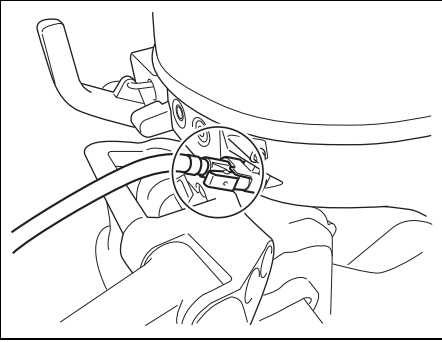
Before connecting the fuel hose, loosen and retighten the fuel tank cap once to relieve the fuel pressure in fuel tank.

For handling the fuel tank cap, refer to the “FUEL AND OIL/FILLING FUEL TANK” section in this manual.

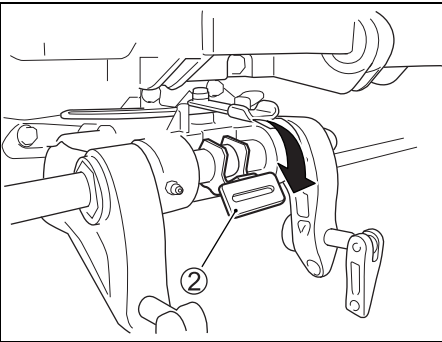
NOTE:

SUZUKI genuine portable fuel tanks have a semi-auto air vent.

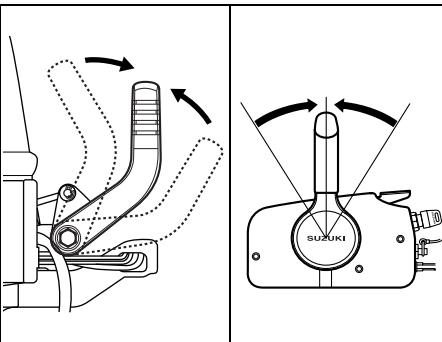
3. Make sure the fuel hose is securely connected to the fuel tank and the motor.



4. Move the tilt lock lever ② to the "LOCK" position.



5. Make sure that the motor is in "NEUTRAL".

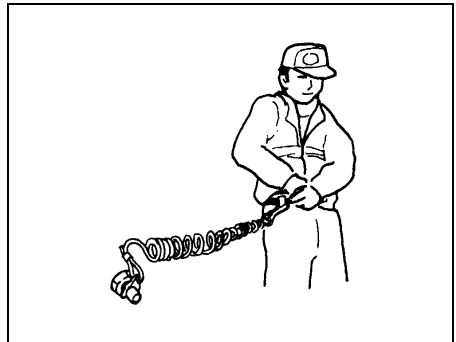
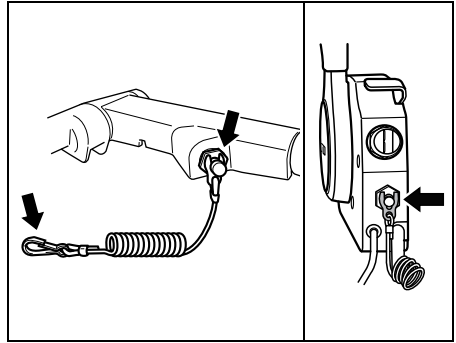


NOTICE

When the motor is in gear, the recoil starter cannot be operated and attempting to use it can damage the recoil starter.

Make sure that the motor is in "NEUTRAL" before pulling the recoil starter rope.

6. Make sure the lock plate is in place and the emergency stop switch cord is fastened securely to your wrist or an appropriate item of clothing such as your belt.



▲ WARNING

Failure to properly attach the emergency stop switch cord or to take proper precautions to help ensure that the emergency stop switch works as intended may result in serious injury or death to the operator or passengers.

Always take the following precautions:

- Make sure that the emergency stop switch cord is fastened securely to the operator's wrist or to an appropriate clothing area (belt etc.).
- Ensure that no obstructions impede or restrict emergency stop switch operation.
- Be careful not to pull the stop switch cord or knock out the lock plate during normal operation. The motor will stop abruptly, and the loss of forward motion may unexpectedly throw occupants forward.

NOTE:

There is a spare plastic lock plate for temporary use only. Remove it from the cord and place in a safe place on the boat. However, if you lose the original cord and lock plate, they should be replaced as soon as possible.

STARTING THE ENGINE

▲ WARNING

Exhaust gas contains carbon monoxide, a dangerous gas that is difficult to detect because it is colorless and odorless. Breathing carbon monoxide can cause death or severe injury.

Never start the engine or let it run indoors or where there is little or no ventilation.

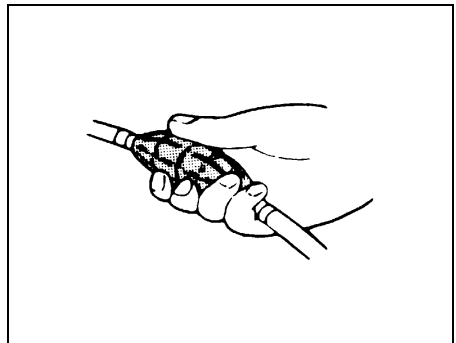
NOTE:

- Do not repeatedly open and close the throttle before starting the engine because this outboard motor has an accelerator pump. If you do so, the accelerator pump will send additional fuel into the engine, creating an air/fuel mixture too rich for the engine to start.
- If the engine fails to start, check the emergency stop switch lock plate. If the lock plate is not in position, the engine cannot be started.
- The starter motor can operate even with the lock plate not in position; however, the engine cannot be started.

Start the engine using one of the starting procedures described below:

RECOIL STARTER MODEL

1. Squeeze the fuel line priming bulb several times until you feel resistance.

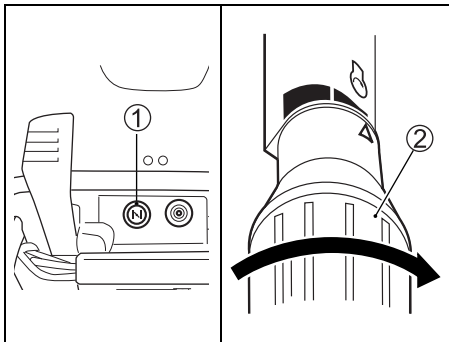


NOTE:

Do not squeeze the priming bulb while the engine is running, as the carburetor may overflow.

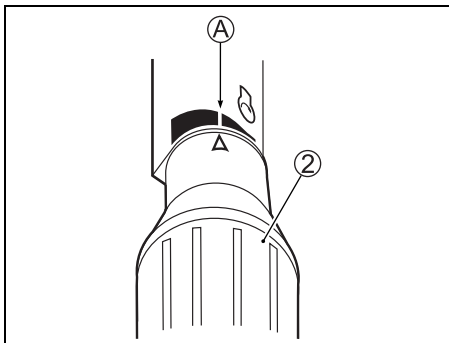
2. If the engine is cold:

Pull the choke knob ① fully out. Make sure that the throttle control grip ② is in the fully closed position.



If the engine is warm:

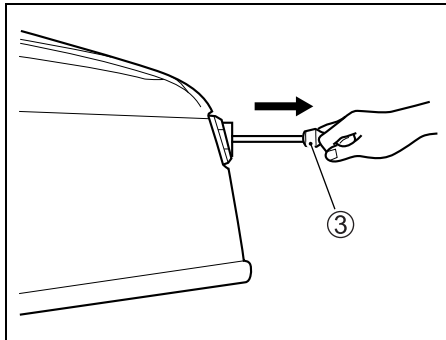
Align the arrow mark on the throttle control grip ② with the start position (A). Do not use the choke.



NOTE:

You may need to use the choke when restarting a warm engine. If your engine does not start quickly when warm, follow the procedure for cold starting.

3. Firmly grasp the starter grip ③ and pull slowly until resistance is felt. When you feel it engage, pull the rope sharply to start the engine. Do not release the rope when it is pulled out. Hold the rope and allow it to recoil slowly.



NOTICE

If you pull the starter grip while the engine is running, the starter system can be damaged.

Never pull the starter grip while the engine is running.

4. After starting, use the throttle control grip to bring the engine to idle.

NOTICE

Continuing to operate your outboard motor with the Caution System activated could result in severe damage to your outboard motor.

If the caution lamp remains lit after starting the engine, check the engine oil level and add oil if necessary. If the oil level is correct, consult your authorized Suzuki marine dealer.

5. Push the choke knob in.

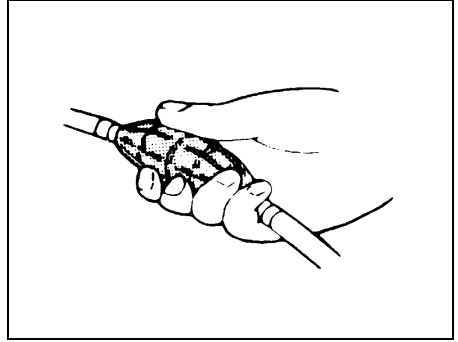
NOTE:

In cold weather, you may have to leave the choke knob out for a longer period of time for the engine to warm up.

6. Warm up the engine for about 5 minutes.

ELECTRIC STARTER MODEL

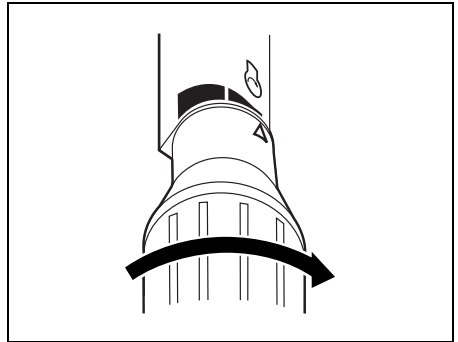
1. Squeeze the fuel line priming bulb several times until you feel resistance.



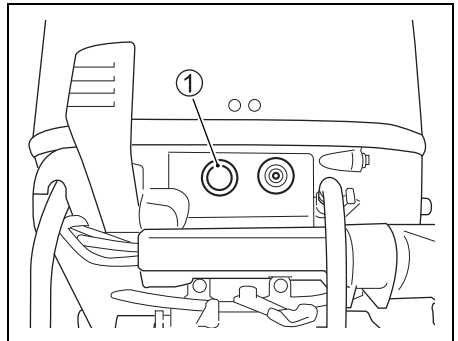
NOTE:

Do not squeeze the priming bulb while the engine is running, as the carburetor may overflow.

2. Make sure that the throttle control grip is in the fully closed position.



3. Push the starter button ①.



NOTICE

If you push the starter button for more than 5 seconds, the starter system could be damaged.

Never push the starter button for more than 5 seconds.

NOTICE

If you push the starter button while the engine is running, the starter system could be damaged.

Never push the starter button while the engine is running.

NOTE:

If the engine fails to start after 5 seconds, wait 10 seconds and try again.

4. After starting, use the throttle control grip to bring the engine to idle.

NOTICE

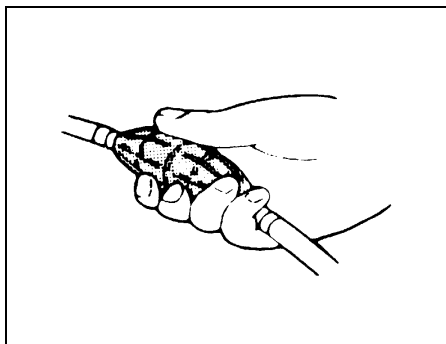
Continuing to operate your outboard motor with the Caution System activated could result in severe damage to your outboard motor.

If the caution lamp remains lit after starting the engine, check the engine oil level and add oil if necessary. If the oil level is correct, consult your authorized Suzuki marine dealer.

5. Warm up the engine for about 5 minutes.

REMOTE CONTROL MODEL

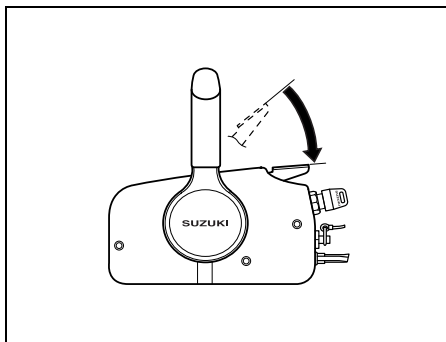
1. Squeeze the fuel line priming bulb several times until you feel resistance.



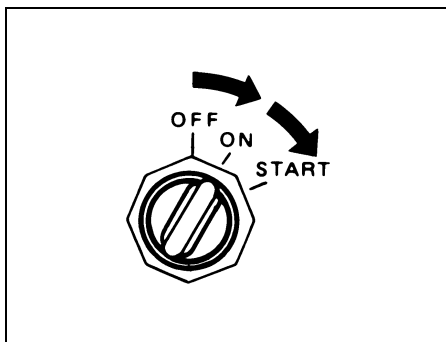
NOTE:

Do not squeeze the priming bulb while the engine is running, as the carburetor may overflow.

2. Move the warm-up lever to the fully closed position.



3. Turn the ignition key to the "ON" position.
4. Turn the ignition key to the "START" position.



NOTICE

If you turn the ignition key to the "START" position for more than 5 seconds, the starter system could be damaged.

Never turn the ignition key to the "START" position for more than 5 seconds.

NOTICE

If you turn the ignition key to the "START" position while the engine is running, the starter system could be damaged.

Never turn the ignition key to the "START" position while the engine is running.

NOTE:

If the engine fails to start after 5 seconds, wait 10 seconds and try again.

5. After the engine has started, let it warm up until the idle speed has stabilized.

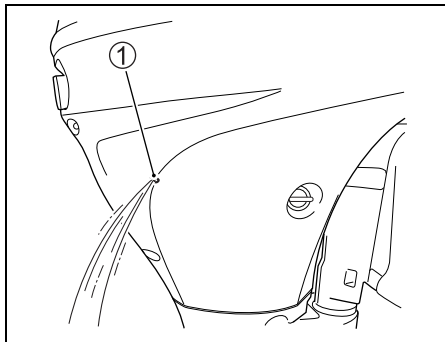
NOTICE

Continuing to operate your outboard motor with the Caution System activated could result in severe damage to your outboard motor.

If the caution lamp remains lit after starting the engine, check the engine oil level and add oil if necessary. If the oil level is correct, consult your authorized Suzuki marine dealer.

Cooling water check

As soon as the engine starts, water should spray out of the pilot water hole ①, indicating that the water pump and cooling system are working properly. If you notice that water does not spray out of the pilot water hole, stop the engine as soon as possible and consult your authorized Suzuki Marine Dealer.



NOTICE

Never operate your outboard motor when there is no water coming out of the pilot water hole, or severe damage can result.

After starting the engine, check to make sure that there is water coming out of the pilot water hole.

▲ WARNING

Operating the boat when the emergency stop switch is not operating properly can be hazardous.

Before starting off, check to make sure that the emergency stop switch operates properly.

EMERGENCY STARTING

If you must get the engine running, but are unable to do so because of starter system failure or battery discharge, you can use the emergency starting procedure to start the engine.

▲ WARNING

If you touch electrical components when rope-starting the engine, you can get a severe electrical shock.

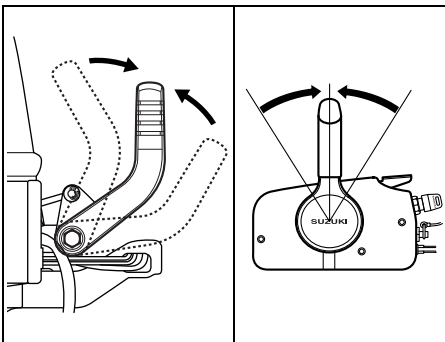
When rope-starting the engine, be careful not to touch electrical components such as ignition coils or spark plug leads.

1. Make sure that the motor is in “NEUTRAL” and the emergency stop switch lock plate is removed.

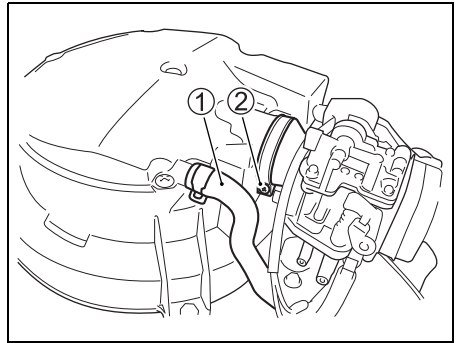
▲ WARNING

When you use the emergency starting procedure, the start-in-gear protection system will not work. If the shift lever is not in the “NEUTRAL” position, the boat can start off unexpectedly when the engine is started, throwing occupants or causing an accident.

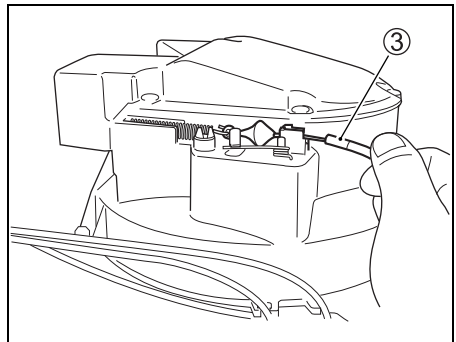
Make sure that the shift lever is in the “NEUTRAL” position before attempting to start the motor using the emergency starting procedure.



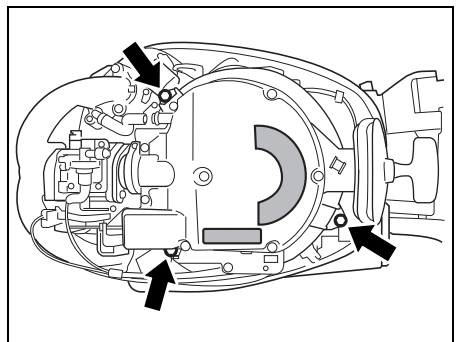
2. Remove the motor cover.
3. Disconnect the breather hose ① from the silencer cover. Loosen the outlet tube clamp screw ②.



4. Recoil starter model:
Remove the NSI cable ③ from the recoil starter.

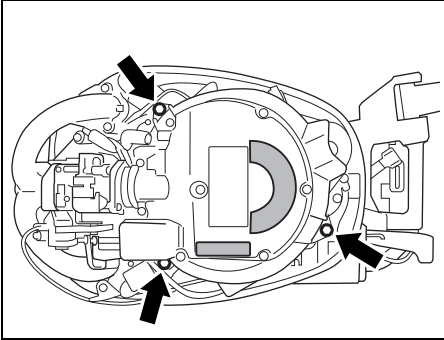


Remove the three bolts securing the recoil starter (with silencer cover) in place.
Lift off the recoil starter (with silencer cover).

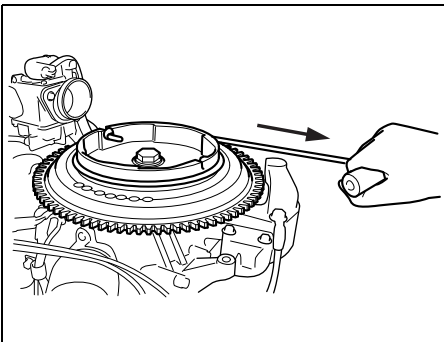


Electric starter model:

Remove the three bolts securing the flywheel cover (with silencer cover) in place.



5. Tie a knot in one end of the emergency starter rope located in the tool kit. Tie the other end around the screw-driver handle in the tool kit.
6. Hook the knotted end of the rope in the pulley notch and wind the rope around the pulley in a clockwise direction.
7. Put the emergency stop switch lock plate in place.
8. Remote control model:
Turn the ignition key to the "ON" position.
9. After following the steps for the normal starting procedure, pull the emergency starter rope sharply to start the engine. Repeat, if the motor has not started.



▲ WARNING

If you attempt to reinstall the recoil starter assembly or motor cover after starting the engine you can be injured.

Do not attempt to reinstall the recoil starter assembly or motor cover after starting the engine.

▲ WARNING

When the engine is running, there are many moving parts that could cause severe personal injury.

When the engine is running, keep your hands, hair, clothing, etc., away from the engine.

NOTE:

Be sure to have the starter system repaired as soon as possible. You should not continue to use the emergency starting procedure for routine engine starting.

SHIFTING AND SPEED CONTROL

NOTICE

Severe engine damage may occur if (a) engine speed is not allowed to return to idle and boat speed is not reduced when shifting from “FORWARD” to “REVERSE” or from “REVERSE” to “FORWARD”, or (b) care is not taken when operating the boat in reverse.

Always allow the engine speed to return to idle before shifting. Exercise caution and use minimal speed when operating the boat in reverse. Be sure the handle/shift lever is in the desired position before accelerating.

NOTICE

If you shift gears when the engine is not running, the shifting mechanism can be damaged.

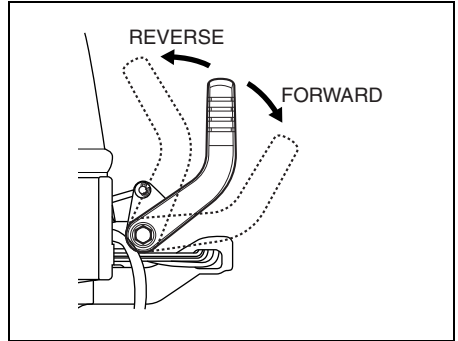
Avoid shifting gears when the engine is not running.

TILLER HANDLE MODEL

Shifting

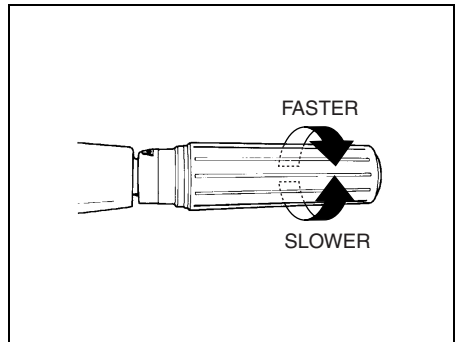
To shift the motor into “FORWARD”, set the throttle control grip to the idle position and pull the shift lever towards you firmly.

To shift into “REVERSE”, put the tilt lock lever into the “lock” position, set the throttle to the idle position, and push the shift lever away from you firmly.



Speed Control

After shifting, control the engine speed by twisting the throttle control grip.



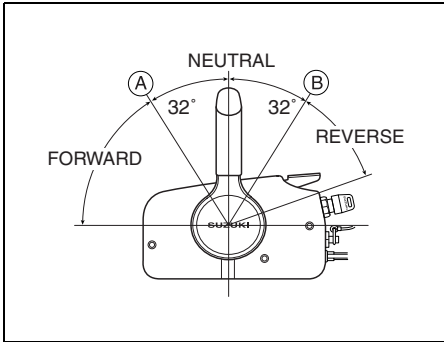
REMOTE CONTROL MODEL

Shifting

To shift into "FORWARD", squeeze the lock-out lever on the control handle and move the control handle forward to approximate position (A), as shown in the illustration.

To shift into "REVERSE", squeeze the lock-out lever on the control handle and move the control handle rearward to approximate position (B), as shown in the illustration.

A detent or notch is present on all Suzuki control boxes to provide a "feel" for positions (A), (B), and neutral. Always shift quickly and firmly from neutral to position (A) or (B) to prevent abnormal wear on the gear and clutch engagement surfaces.



Speed control

To increase speed after you have shifted into gear, continue moving the control handle forward or rearward.

▲ WARNING

Since the same handle is used for shifting and speed control it is possible to move the handle past the detent and engage the throttle. This can cause the boat to move suddenly resulting in personal injury or property damage.

You must be careful not to move the control handle too far forward or rearward when shifting.

STOPPING THE ENGINE

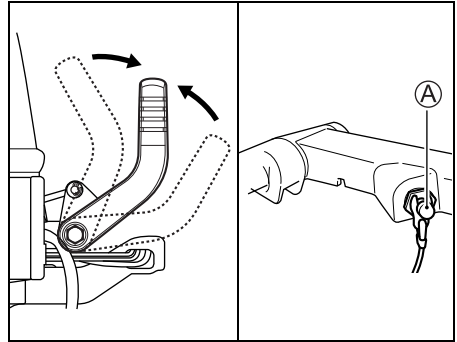
NOTE:

When it is necessary to stop the engine in an emergency, pull the emergency stop switch lock plate out of the emergency stop switch by pulling the emergency stop switch cord.

TILLER HANDLE MODEL

To stop the engine:

1. Turn the throttle control grip to the idle position.
2. Shift into "NEUTRAL".
3. After operating at full throttle, cool off the engine a few minutes by allowing it to idle or troll at low speed.
4. Push and hold in the stop button (A) until the engine stops.



5. After stopping the engine, disconnect the fuel connector from outboard motor.

▲ WARNING

If you leave the motor stopped for a long period of time with the fuel line connected, fuel can leak out.

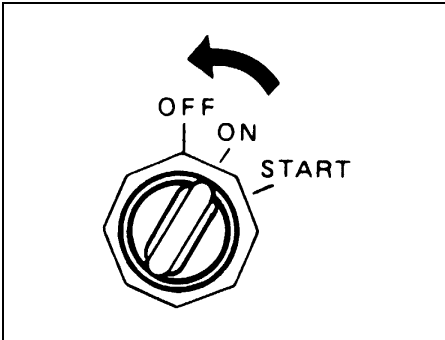
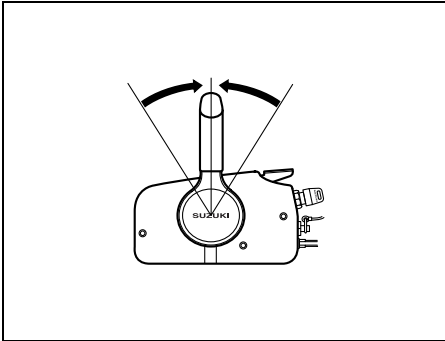
Disconnect the fuel line whenever you leave the motor stopped for a long period of time.

6. Turn the air-vent screw on the fuel tank cap clockwise to shut the vent.

REMOTE CONTROL MODEL

To stop the engine:

1. Shift into "NEUTRAL".
2. After operating at full throttle, cool off the engine a few minutes by allowing it to idle or troll at low speed.
3. Turn the ignition key to the "OFF" position. Always leave the ignition key in the "OFF" position when the motor is not running, or battery can discharge.



4. After stopping the engine, disconnect the fuel connector from outboard motor.

▲ WARNING

If you leave the motor stopped for a long period of time with the fuel line connected, fuel can leak out.

Disconnect the fuel line whenever you leave the motor stopped for a long period of time.

5. Turn the air-vent screw on the fuel tank cap clockwise to shut the vent.

▲ WARNING

Unauthorized use of your boat could lead to an accident or damage to your boat.

To prevent unauthorized use of your boat, be sure to remove the key and emergency stop switch lock plate when the boat is unattended.

NOTE:

To make sure that the emergency stop switch operates properly, stop the engine occasionally by pulling out the lock plate, while operating the engine at idling speed.

MOORING

The motor should be tilted up out of the water when you moor the boat in shallow water or if the motor will not be used for some time, to protect it from damage by underwater obstacles at low tide or corrosion from salt water.

Refer to the TILT UP LOCK ARM section for details on how to tilt up the motor.

▲ WARNING

If you leave the motor tilted up for a long period of time with the fuel line connected, fuel can leak out.

Disconnect the fuel line whenever you leave the motor tilted up for a long period of time.

NOTICE

Improperly securing your boat may cause damage to your boat or motor, or other property damage.

Do not allow your motor to rub against quay walls, piers or other boats when the boat is tied up.

OPERATION IN SHALLOW WATER

When operating your outboard motor in shallow water, use the shallow water position to tilt the motor slightly from the normal trim angle. When using the shallow water position, however, you should only operate the motor at slow speeds. After returning to deep water, be sure to release the shallow water position and move the tilt lock lever to the “lock” position.

To tilt the motor slightly, set the shallow water position as outlined in the SHALLOW WATER POSITION section.

WARNING

When the shallow water position is used, the tilt lock will not work. As a result, forces such as from propeller thrust during operation in “REVERSE” gear, rapid deceleration, and striking an underwater object can cause the motor to lift out of the water, resulting in personal injury.

When using the shallow water position, proceed with caution and only at very low speeds.

NOTICE

If you do not take proper precautions when operating your boat in shallow water, your outboard motor or boat could be damaged.

- When you operate your motor in shallow water using the shallow water position, make sure that the water intake holes remain in the water at all times and that water is always spraying out of the water discharge hole.
- Do not allow your motor to hit bottom, particularly when operating in “REVERSE” gear, or serious damage can result. When the motor hits bottom while operating in “REVERSE” gear, the shock acts directly on the transom, and both the motor and the boat could be damaged.

OPERATION IN SALT WATER

After operating the motor in salt water, you should flush the water passages with clean, fresh water as outlined in the FLUSHING THE WATER PASSAGES section. If you do not flush the water passages, salt can corrode the motor and shorten its life.

OPERATION IN FREEZING WEATHER

When operating your outboard motor in freezing temperatures, you should keep the lower unit submerged in the water at all times.

When taking motor out of the water, stand it up in a vertical position until the cooling system drains completely.

NOTICE

If you leave your outboard motor out of the water in freezing temperatures with water still in the cooling system, the water can freeze and expand, causing severe damage to the motor.

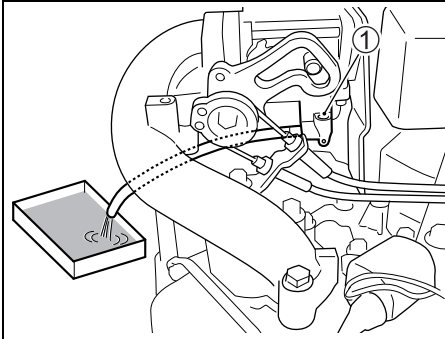
When your outboard is in the water in freezing temperatures, keep the lower unit submerged in the water at all times. When the motor is stored out of the water in freezing temperatures stand it up in the vertical position so that the cooling system drains completely.

MOTOR REMOVAL AND TRANSPORTING

MOTOR REMOVAL

TILLER HANDLE MODEL

1. Make sure that the engine has stopped completely.
2. Remove the fuel hose from the motor.
3. Remove the motor cover.
4. Drain the gasoline from the carburetor as follows:
 - (1) Loosen the carburetor drain screw ① and drain the gasoline into a suitable container.



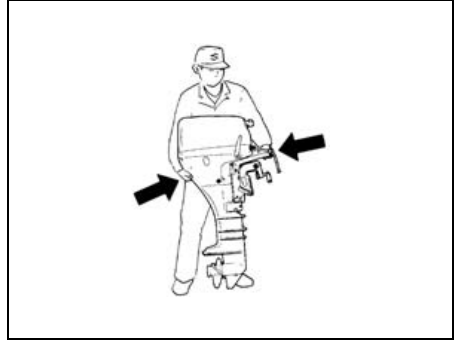
▲ WARNING

Gasoline is extremely flammable and toxic. It can cause a fire and can be hazardous to people and pets.

Use a proper, safe container to store any gasoline drained from the outboard motor. Keep gasoline away from sparks, flames, people, and pets.

- (2) After draining, retighten the drain screw.

5. Remove the mounting bolts.
6. Loosen the clamp screws.
7. Lift the motor off the transom.
8. Stand the motor vertically and drain the water from the lower unit.
9. To carry, hold the motor by gripping the steering bracket and engine lower cover.



REMOTE CONTROL MODEL

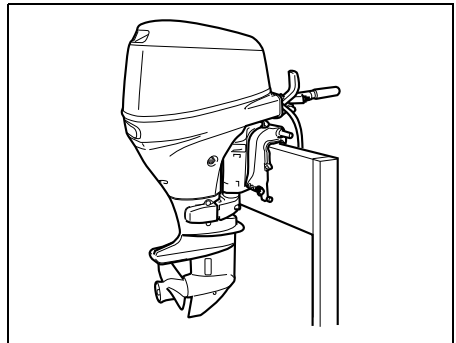
If it is necessary to remove the outboard motor from your boat, we recommend that you ask your authorized Suzuki Marine Dealer to do the work for you.

MOTOR TRANSPORTING

When transporting the motor, place the motor in either a vertical or horizontal position.

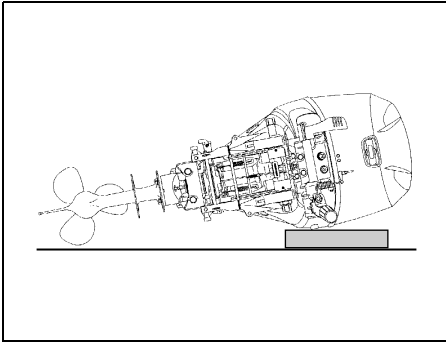
Vertical transport:

Attach the clamp bracket to a stand by securing two transom bolts.



Horizontal transport:

Raise the tiller handle (if equipped) and rest the motor on a case protector with the port side downwards as shown.



NOTICE

If you let the lower unit of your outboard sit higher than the power head during transporting or storing, water may trickle into the power head, causing damage to the engine.

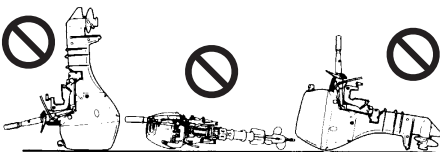
Never let the lower unit sit higher than the power head when transporting or storing your outboard.

NOTICE

If you do not take proper precautions when transporting your outboard, it can be damaged.

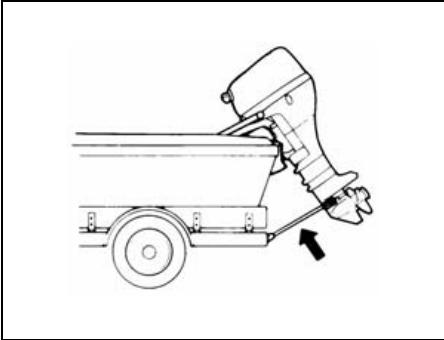
- Do not rest the engine in any of the positions shown below, as water may enter the cylinder from the sump or the outer casings may be damaged.
- Do not place the engine on its side before the cooling water has drained from it completely, as water may enter the cylinder through the exhaust port and cause problems.

INCORRECT



TRAILERING

When trailering your boat with the motor attached, keep the motor in the normal operating position unless there is not enough ground clearance. If you need more ground clearance, trailer the motor in a tilted position using a transom saver bar or similar device to support the weight of the motor.



NOTICE

If you use the tilt up lock arm to hold the motor in the fully tilted up position when trailering the boat, towing motion or poor road surfaces may cause unexpected tilt lock release, resulting in damage to the motor and the tilt lock mechanism.

Never use the tilt up lock arm to hold the motor in the fully tilted up position when trailering the boat. Use a transom saver bar or similar device to support the weight of the motor.

INSPECTION AND MAINTENANCE

NOTICE

MAINTENANCE, REPLACEMENT OR REPAIR OF EMISSION CONTROL DEVICES AND SYSTEMS MAY BE PERFORMED BY ANY MARINE SI ENGINE REPAIR ESTABLISHMENT OR INDIVIDUAL USING ANY PART WHICH HAS BEEN CERTIFIED UNDER THE PROVISIONS IN THE CLEAN AIR ACT Sec. 207 (a) (2).

MAINTENANCE SCHEDULE

It is important to inspect and maintain your outboard motor regularly. Follow the chart below.

At each interval, be sure to perform the indicated service. Maintenance intervals should be judged by number of hours or number of months, whichever comes first.

WARNING

Exhaust gas contains carbon monoxide, a dangerous gas that is difficult to detect because it is colorless and odorless. Breathing carbon monoxide can cause death or severe injury.

Never start the engine or let it run indoors or where there is little or no ventilation.

Interval Item to be serviced	Initial 20 hrs. or 1 month	Every 50 hrs. or 3 months	Every 100 hrs. or 6 months	Every 200 hrs. or 12 months
Spark plug	–	–	I	R
Breather & Fuel line	I	I	I	I
Engine oil	R	–	R	R
Gear oil	R	–	R	R
Lubrication	–	I	I	I
Anodes (external)	–	I	I	I
* Anodes (internal Powerhead)	–	–	I	I
Bonding wires	–	I	I	I
Battery	–	I	I	I
* Bolts & Nuts	T	–	T	T
* Engine oil filter	R	–	–	R
* Fuel filter	–	I	I	I
	Replace every 400 hours or 2 years.			
* Valve clearance	I	–	–	I
* Carburetor	I	–	I	I
* Propeller nut & pin	I	–	I	I
* Water pump	–	–	–	I
* Water pump impeller	–	–	–	R
* Idle speed	I	–	–	I
* Ignition timing	–	–	–	I

I: Inspect and clean, adjust, lubricate, or replace, if necessary T: Tighten R: Replace

▲ WARNING

Improper maintenance or failure to perform recommended maintenance can be hazardous. Poor maintenance or lack of maintenance increases the chance of an accident or equipment damage.

Be sure to have maintenance performed according to the schedule in the above chart. Suzuki recommends that only your authorized Suzuki marine dealer or a qualified service mechanic perform maintenance on those items in the chart above which are marked with an asterisk (*). You may perform maintenance on the unmarked items by referring to the instructions in this section if you have mechanical experience. If you are not sure whether you can successfully complete any of the unmarked maintenance jobs, ask your authorized Suzuki marine dealer to do the maintenance for you.

▲ WARNING

The safety of you and your passengers depends on how well you maintain your outboard motor.

Follow all inspection and maintenance instructions carefully. If you do not have prior mechanical experience, do not attempt to perform maintenance on your outboard motor. You could be injured or may damage the motor.

NOTICE

The maintenance intervals in the chart were established for normal usage of your outboard motor. If your outboard motor is used under severe conditions such as frequent full throttle operation or frequent operation in muddy, silty, sandy, acidic, or shallow water, you may need to perform maintenance more often than indicated in the chart. Failure to perform maintenance more frequently could result in damage.

Consult your authorized Suzuki marine dealer regarding appropriate maintenance intervals for your usage conditions. When replacing parts on your outboard motor, Suzuki strongly recommends that you use genuine Suzuki parts or their equivalent.

SPARK PLUG

Your outboard motor comes equipped with the following "standard" spark plug for normal usage.

Standard spark plug	NGK BKR6E
---------------------	-----------

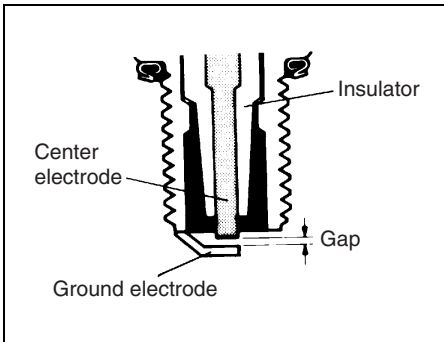
NOTICE

Non-resistor types of spark plugs will interfere with the function of the electronic ignition, causing misfiring, or causing problems with other electronic boat equipment and accessories.

Use **ONLY** resistor type spark plugs in your outboard motor.

Your authorized Suzuki Marine Dealer can determine if the standard spark plug is suitable for your type of motor usage by inspecting the color of the plug's porcelain center electrode insulator after operation.

If the plug tends to run hot (usually evidenced by whitening of the insulator or a burnt electrode), stop using your motor immediately as severe engine damage may result. If the plug tends to run cold (usually evidenced by blackening of the insulator or a wet electrode), performance may suffer. Ask your authorized Suzuki Marine dealer to evaluate either of these problems to determine the cause.



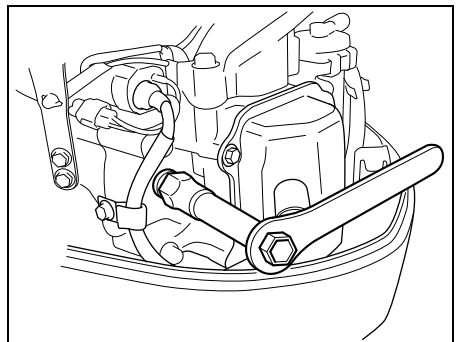
NOTICE

Use of improper spark plugs or improperly tightening spark plugs can cause severe engine damage.

- Do not experiment with other spark plug brands unless you can determine that they are directly equivalent to the specified brand, or you may experience engine damage which will not be covered under warranty. Note that aftermarket cross-reference charts may not be accurate.
- To install a spark plug; seat it as far as possible by hand, then use a wrench to tighten it to either the recommended torque setting or the specified rotation angle.

Tightening torque	
2.5 – 2.8 kg-m (18.1 – 20.0 lb-ft)	
Rotation angle	
New plug	1/2 – 3/4 of a turn
Re-use plug	1/12 – 1/8 of a turn

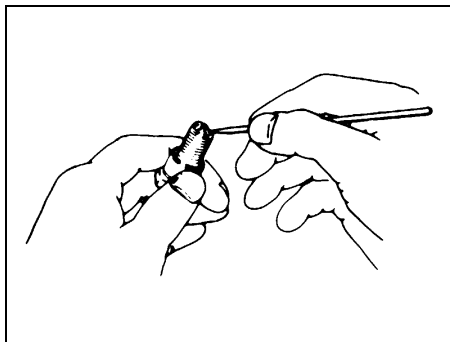
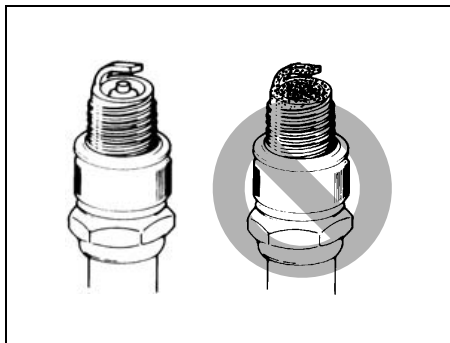
- Do not overtighten or cross-thread a spark plug, as this will damage the aluminum threads of the cylinder head.



To maintain a strong spark, you should clean and adjust the plugs at the interval shown in the maintenance schedule.

Remove carbon deposits from the spark plugs using a small wire brush or spark plug cleaner, and adjust the gap as follows;

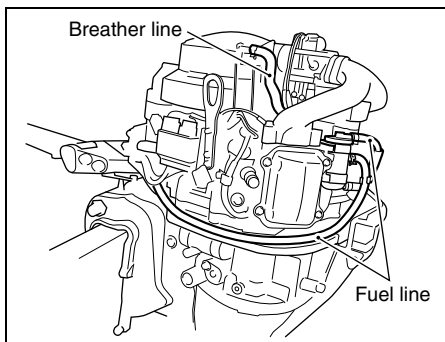
Spark plug gap	0.7 – 0.8 mm (0.028 – 0.031 in.)
----------------	-------------------------------------



If the electrode or insulator is damaged, or if either shows excessive wear, then the spark plug should be replaced.

BREATHER AND FUEL LINE

Inspect the breather and fuel line for leaks, cracks, swelling, or other damage. If the breather and fuel line are damaged in any way, they must be replaced. Consult your authorized Suzuki Marine dealer if it is necessary to replace them.



▲ WARNING

Fuel leakage can contribute to an explosion or fire, resulting in serious personal injury.

Have your authorized Suzuki marine dealer replace the fuel line if there is any evidence of leaking, cracking or swelling.

ENGINE OIL

⚠ WARNING

Never perform any ENGINE OIL procedure with the motor running, as serious injury can occur.

The motor must be shut off before any ENGINE OIL procedures are performed.

NOTICE

Extended trolling can reduce oil life. Your engine may be damaged if you do not change engine oil more frequently under this type of use.

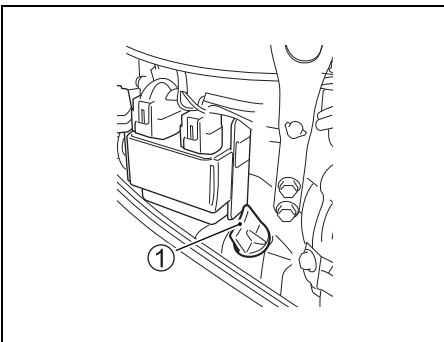
Change your engine oil more frequently if your engine is used for extended trolling.

Engine oil change

The oil should be changed when engine is warm so that the oil will drain thoroughly from the engine.

To change the engine oil:

1. Place the motor in a vertical position and remove the motor cover.
2. Remove the oil filler cap ①.



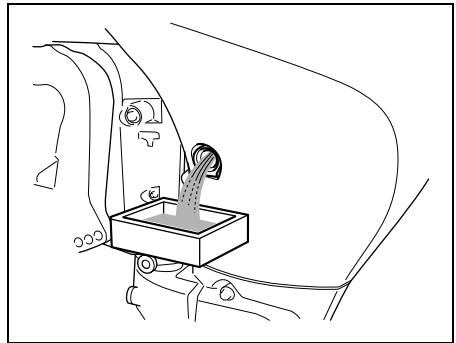
3. Place a drain pan under the engine oil drain plug.

⚠ CAUTION

The engine oil temperature may be high enough to burn your fingers when the drain plug is loosened.

Wait until the drain plug is cool enough to touch with bare hands before removing it.

4. Remove the engine oil drain plug and gasket, then let the engine oil drain.



5. After draining, secure the engine oil drain plug with a new gasket.

NOTICE

A previously-used gasket may leak, resulting in engine damage.

Do not re-use gaskets. Be sure to always use new gaskets.

NOTE:

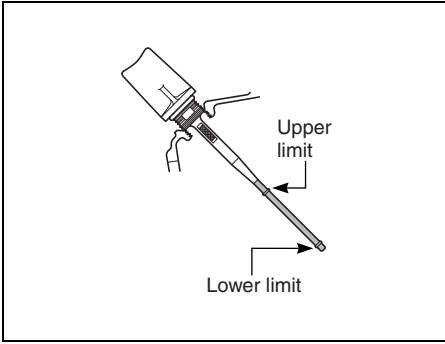
There are spare gaskets in the tool bag.

6. Fill with recommended engine oil to the upper level.

Oil capacity: 1.5 L (1.6/1.3 US/Imp. qt.)

Engine oil: SAE (or NMMA FC-W) 10W-40
API (or NMMA FC-W) Classification
SG, SH, SJ, SL, SM

7. Check the engine oil level. Refer to the INSPECTION BEFORE BOATING section.



NOTE:

To avoid incorrect measurement of engine oil level, check oil level only when the engine has cooled.

8. Reinstall the oil filler cap.

▲ WARNING

Engine oil can cause injury to people or pets. Repeated, prolonged contact with used engine oil may cause skin cancer. Even brief contact with used oil may irritate skin.

- Keep new and used oil away from children and pets.
- Wear a long-sleeve shirt and waterproof gloves when handling oil.
- Wash with soap if oil contacts your skin.
- Launder any clothing or rags that are wet with oil.

NOTE:

Recycle or properly dispose of used engine oil. Do not throw it in the trash, or pour it on the ground, down a drain, or into the water.

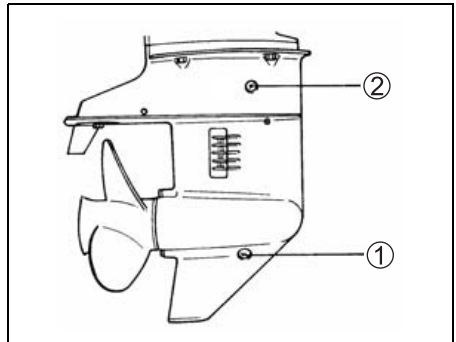
GEAR OIL

To check the gear oil level, place the motor in an upright position, remove the gear oil level plug and look into the hole. The oil level should be at the bottom edge of the hole. If the oil level is low, add the specified gear oil until the level reaches the bottom edge of the hole. Then, reinstall and tighten the plug.

Periodic gear oil replacement is essential for long life of your outboard motor.

To change the gear oil:

1. Make sure the motor is in an upright position. Place a drain pan under the lower casing.
2. Remove the gear oil drain plug ①, then remove the gear oil level plug ②.



3. After the oil has drained completely, inject the specified gear oil into the lower drain hole until it just starts to come out of the upper level hole. Approximately 420 ml (14.2/14.8 US/Imp. oz.) will be required.
4. Reinstall and tighten the gear oil level plug ②, then quickly reinstall and tighten the gear oil drain plug ①.

NOTE:

To avoid insufficient injection of gear oil, check the gear oil level again, 10 minutes after doing the procedure in the step 4. If the oil level is low, slowly inject gear oil to obtain the correct level.

▲ WARNING

Gear oil can cause injury to people or pets. Repeated, prolonged contact with used gear oil may cause skin cancer. Even brief contact with used oil may irritate skin.

- Keep new and used oil away from children and pets.
- Wear a long-sleeve shirt and waterproof gloves when handling oil.
- Wash with soap if oil contacts your skin.
- Launder any clothing or rags that are wet with oil.

NOTE:

Recycle or properly dispose of used gear oil. Do not throw it in the trash, or pour it on the ground, down a drain, or into the water.

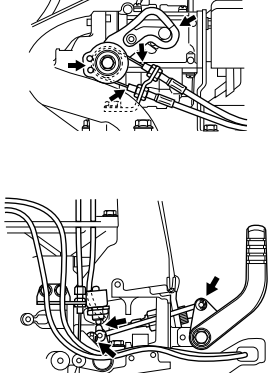
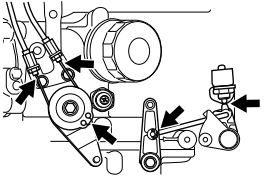
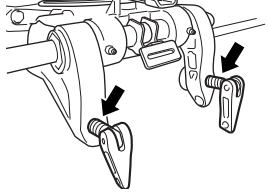
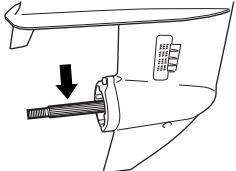
NOTICE

If fishing line wraps around the rotating propeller shaft, the propeller shaft oil seal can become damaged and can allow water to enter the gear case causing severe damage.

If the gear oil has a milky color, it is contaminated with water. Immediately contact your authorized Suzuki marine dealer for advice. Do not operate your outboard until the oil is changed and the cause of the contamination is corrected.

LUBRICATION

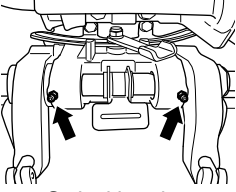
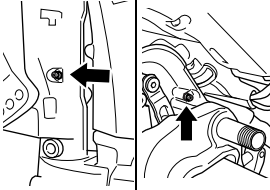
Proper lubrication is important for the safe, smooth operation and long life of each working part of your outboard motor. The following chart shows the lubrication points of your motor and the recommended lubricant:

LOCATION	LUBRICANT
	
 <p data-bbox="613 925 823 949">Throttle/Shift linkage</p>	<p data-bbox="871 810 1024 885">Marine-grade water resistant grease</p>
 <p data-bbox="655 1161 789 1185">Clamp screw</p>	
 <p data-bbox="644 1396 800 1420">Propeller shaft</p>	

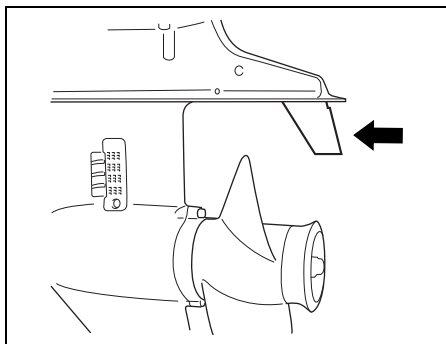
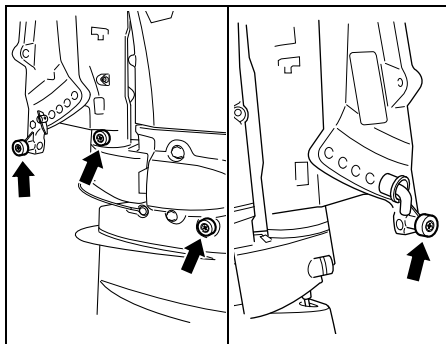
CORROSION PREVENTION ANODES

The motor is protected from exterior corrosion by anodes. These anodes control electrolysis and help prevent corrosion. The anodes will corrode in place of the parts they are protecting. You should periodically inspect each of the anodes and replace them when 2/3 of the metal has corroded away.

In certain areas of the country, the water is unusually harsh on metal. Additional anti-corrosion measures may be helpful under those conditions. Consult your authorized Suzuki Marine Dealer for details.

LOCATION	LUBRICANT
 <p data-bbox="140 295 285 319">Swivel bracket</p>	<p data-bbox="364 263 520 375">Marine-grade water resistant grease (Grease Gun)</p>
 <p data-bbox="128 518 296 542">Steering bracket</p>	

Your authorized Suzuki Marine Dealer may also have additional recommendations due to regional climate or operating conditions. Please consult your dealer for advice.



NOTICE

If anodes are not properly maintained, underwater aluminum surfaces (such as the lower unit) will suffer galvanic corrosion damage.

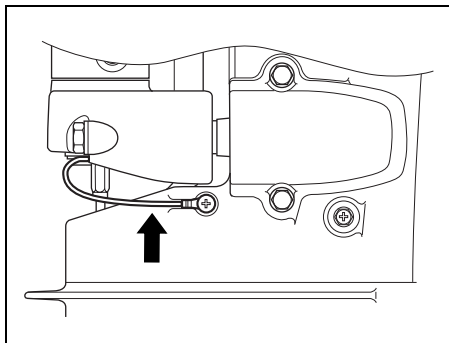
- Periodically inspect anodes to make sure they have not become detached.
- Do not paint anodes, as this will render them ineffective.
- Periodically clean anodes with a wire brush to remove any coating which might decrease their protective ability.

NOTE:

Consult your authorized Suzuki Marine Dealer for inspection and replacement of internal anodes attached to the powerhead.

BONDING WIRES

Bonding wires are used to electrically connect the engine wires components so they exist in a common ground circuit. This allows them to be protected against electrolysis by the anodes. These wires and their terminals should be checked periodically to be sure they have not been damaged.



BATTERY

If you are using a maintenance-free battery, inspect the window area according to the instructions on the battery to make sure the battery is in good condition.

If you are not using a maintenance-free battery, the battery fluid level should be checked every 50 hours of operation or 3 months. The battery solution level must be kept between the MAX and the MIN level lines at all times. If the level drops below the MIN level line, add DISTILLED WATER ONLY until the battery solution level reaches the MAX level line.

▲ WARNING

Battery acid is poisonous and corrosive, and can cause severe injury.

Avoid contact with eyes, skin, clothing, and painted surfaces. If battery acid comes in contact with any of these, flush immediately with large amounts of water. If acid contacts the eyes or skin, get immediate medical attention.

▲ WARNING

If you are not careful when checking or servicing the battery, you can cause a short circuit, which could result in an explosion, fire, or circuit damage.

Disconnect the negative (black) cable when checking or servicing the battery. Be careful not to allow a metal tool or other metal object to touch the battery's positive terminal and the motor at the same time.

▲ WARNING

Battery posts, terminals, and related accessories contain lead and lead compounds that may be hazardous.

Wash hands after handling.

NOTICE

If you add diluted sulphuric acid to the battery after it has been initially serviced, you will damage the battery.

NEVER add diluted sulphuric acid to the battery after it has been initially serviced. Follow the battery manufacturer's instructions for specific maintenance procedures.

ENGINE OIL FILTER

The engine oil filter must be changed by authorized Suzuki Marine Dealer periodically. Replace engine oil filter with a new one at initial 20 hours (1 month).

Replace engine oil filter with a new one at every 200 hours (12 months).

FUEL FILTER

The fuel filter must be inspected by authorized Suzuki Marine Dealer periodically.

Inspect fuel filter at every 50 hours (3 months).

Replace fuel filter with a new one at every 400 hours (2 years).

FLUSHING THE WATER PASSAGES

After operation in muddy, brackish, or salt water, you should flush the water passages and motor surface with clean, fresh water.

If you do not flush the water passages, salt can corrode the motor and shorten its life. Flush the water passages as follows.

ENGINE RUNNING – Vertical position –

Suzuki recommends that you flush the water passages using this method.

To flush the water passages, you must obtain a commercially available engine flush device.

▲ WARNING

Exhaust gas contains carbon monoxide, a dangerous gas that is difficult to detect because it is colorless and odorless. Breathing carbon monoxide can cause death or severe injury.

Never start the engine or let it run indoors or where there is little or no ventilation.

▲ WARNING

Failure to take proper precautions when flushing the water passages can be hazardous.

When flushing the water passages, always take the following precautions:

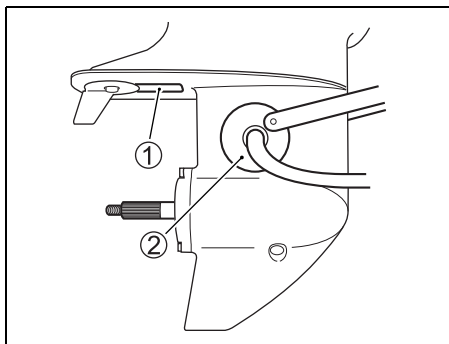
- **Make sure that the engine remains in NEUTRAL. If shifted into gear, the propeller shaft will turn and could cause severe personal injury.**
- **Make sure the motor is properly clamped to a secure stand or boat, and remain in attendance until flushing is completed.**
- **Keep children and pets away from the area, and stay clear of all moving parts.**

NOTICE

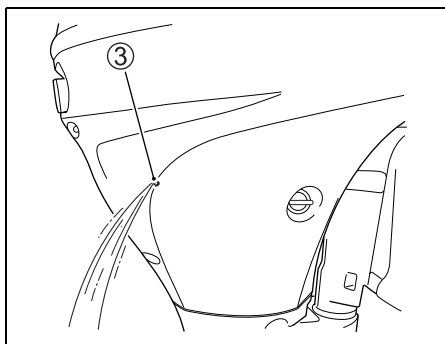
Severe engine damage can occur in as little as 15 seconds if the engine is started without supplying water to the cooling system.

Never start the motor without supplying water to the cooling system.

1. Cover the auxiliary water intake hole ① with a piece of duct tape.
2. Install the flushing attachment ② so that the water intake holes are covered by the rubber cups on the attachment.



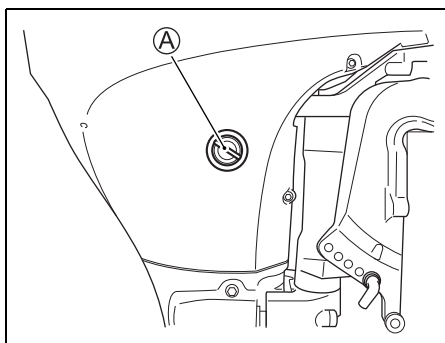
3. Connect a garden hose to the flushing attachment and turn on the water to obtain enough flow so that plenty of excess water is flowing out from around the rubber cups on the attachment.
4. Shift into "NEUTRAL" position with the propeller removed and start the motor. As soon as the engine starts, water should spray out of the pilot water hole ③, indicating proper water pump operation. If no water spray is evident, stop the motor immediately and consult your dealer.



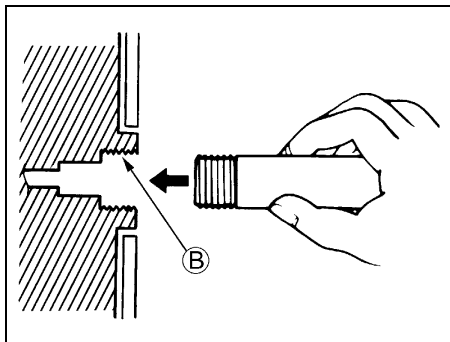
5. Allow the engine to run only at idle speed while flushing. Readjust the water flow, if necessary, so that there is still plenty of excess water flowing out from around the rubber cups.
6. Allow the water to continue circulating for a few minutes.
7. Stop the motor, then turn off the water.
8. Remove the flushing attachment and remove the duct tape from the water intake hole.
9. Clean the motor surface and apply a coat of automotive wax on the external finish of the motor.

ENGINE NOT RUNNING – Vertical position –

1. Remove the plug (A) from the flushing port.



2. Install a garden hose directly or by using a hose connector matched to the flushing point thread ②.
Thread ②: 0.75 – 11.5 NHR (American standard hose coupling threads for garden hose applications.)



3. Turn on the water to obtain a good water flow. Flush the engine for about five minutes.
4. Turn off the water.
5. Remove the hose and connector (if used) then reinstall the plug into the flushing port.
6. Leave the motor in a vertical position until the engine is drained completely.

ENGINE NOT RUNNING

– Full tilt up position –

1. Raise the engine to the full tilt up position.
2. Follow the “ENGINE NOT RUNNING – Vertical position” instructions.
DO NOT RUN ENGINE IN THE FULL TILT UP POSITION.
3. Lower the motor to a vertical position until the engine is drained completely.

SUBMERGED MOTOR

If your motor has been accidentally submerged in water, it must receive a special repair service as soon as possible to prevent corrosion. If possible, have a qualified marine dealer service the engine. If immediate servicing is not available, take the following steps to help protect your motor. In the event that your motor is accidentally submerged, take the following steps:

1. Get the motor out of the water as soon as possible.
2. Remove the engine cover and immediately wash the engine thoroughly with fresh water to completely remove all salt, mud, and seaweed.
3. Remove the spark plugs. Drain the water from the cylinders through the spark plug holes by manually turning the flywheel several times.
4. Check to see if any water is evident in the engine oil. If water is seen, remove the oil drain plug and drain the oil. After draining, tighten the oil drain plug.
5. Drain the fuel line, the carburetor and all filters.

▲ WARNING

Gasoline is extremely flammable and toxic. It can cause a fire and can be hazardous to people and pets.

Keep flames and sparks away from gasoline. Dispose of unwanted fuel properly.

6. Pour one tablespoon of engine oil in through each spark plug hole and into the carburetor. Coat the engine inner parts with oil by turning the engine over with the recoil starter. Don't use the electric starter, as this may bend the connecting rods.

NOTICE

Severe engine damage may occur if you continue cranking the engine when you encounter friction or resistance.

If you encounter friction or resistance while cranking the engine, stop at once and do not attempt to start the engine until you find and correct the problem.

7. Have your authorized Suzuki Marine Dealer inspect the engine as soon as possible.

NOTICE

If the fuel supply is contaminated with water, engine damage may occur.

If the boat's fuel tank filler and vent were submerged, inspect the fuel supply to make sure it is not contaminated with water.

STORAGE PROCEDURE

MOTOR STORAGE

When storing your motor for a long period of time (for example, at the end of the boating season), it is recommended that you take your motor to your authorized Suzuki Marine Dealer. However, if you choose to prepare the motor for storage yourself, follow the procedure outlined below:

1. Change the gear oil as outlined in the GEAR OIL section.
2. Change the engine oil as outlined in the ENGINE OIL section.
3. Add a high quality fuel stabilizer to the fuel tank according to the instructions on the stabilizer can.
4. Flush the water passages in the motor thoroughly. Refer to the FLUSHING THE WATER PASSAGES (Engine running) section.
5. Readjust the water flow, run the engine at about 1500 r/min in neutral for five minutes to distribute the stabilized fuel through the engine.
6. Stop the engine. Then turn off the water and disconnect the flushing attachment.
7. Lubricate all other specified parts. Refer to the LUBRICATION section. Spray entire powerhead with a rust preventative (not a penetrating oil product).
8. Apply a coat of automotive wax on the external finish of the motor. If paint damage is evident, apply touch up paint before waxing.
9. Store the motor in an upright position in a dry, well-ventilated area. Select an area with constant temperature to avoid corrosion caused by condensation. Do not store next to furnaces, heaters, etc.

▲ WARNING

When the engine is running, there are many moving parts that could cause severe personal injury.

When the engine is running, keep your hands, hair, clothing, etc., away from the engine.

NOTICE

Severe engine damage can occur in as little as 15 seconds if the engine is started without supplying water to the cooling system.

Never start the motor without supplying water to the cooling system.

BATTERY STORAGE

1. When the outboard motor will not be used for a month or longer, remove the battery and store it in a cool, dark place. Do not set battery on concrete or earth, as this will accelerate loss of charge.
2. Wash the casing and terminals using fresh water only, then dry with clean cloth.
3. Fully charge the battery. If the battery will be stored for a long period of time, check the specific gravity of the fluid at least once a month and recharge the battery when the charge is low.

▲ WARNING

Failure to take proper precautions when charging the battery can be hazardous. Batteries produce explosive vapors that can ignite. Battery acid is poisonous and corrosive, and can cause severe injury.

- Do not smoke and keep battery away from open flames and sparks.
- To avoid creating a spark when charging the battery, connect the battery charger cables to the proper terminals before turning the charger on.
- Handle the battery with extreme care and avoid skin contact with battery acid.
- Wear proper protective clothing (Safety glasses, gloves, etc.)

AFTER STORAGE

When taking your motor out of storage, follow the procedure below to return it to operating condition:

1. Thoroughly clean the spark plugs. Replace them if necessary.
2. Check the gear-case oil level and if necessary, add gear oil according to the procedure outlined in the GEAR OIL section.
3. Lubricate all moving parts according to the LUBRICATION section.
4. Check the engine oil level.
5. Clean the motor and wax the painted surfaces.
6. If the motor is equipped with a battery, recharge the battery before installing it.

GENERAL INFORMATION

WARRANTIES (For U.S.A.)

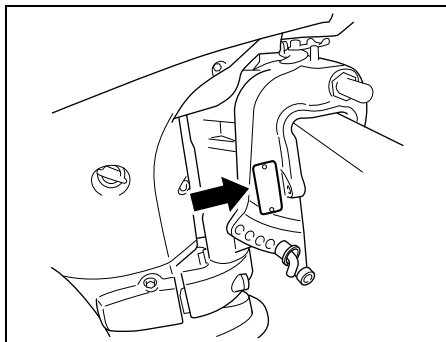
The warranties covering your outboard motor are explained in a separate Limited Warranty booklet given to you at the time of sale. Please read this booklet carefully so you can understand your rights and responsibilities.

IDENTIFICATION NUMBER LOCATION

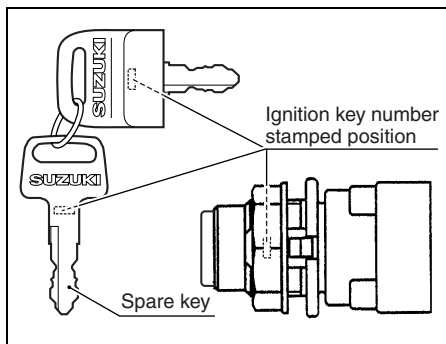
The model and identification numbers of your outboard motor are stamped on a plate attached to the clamp bracket. Record these numbers below for future reference. It is important to know these numbers when you place a parts order or if your motor is stolen.

Model Number:

Identification Number:



Ignition Key Number:



EMISSION CONTROL INFORMATION

NOTICE

- THIS ENGINE IS CERTIFIED TO OPERATE ON UNLEADED GASOLINE OF 87 OCTANE ((R+M)/2 METHOD) OR GREATER.
- EXHAUST EMISSION CONTROL SYSTEM:
ENGINE MODIFICATION

TROUBLESHOOTING

This troubleshooting guide is provided to help you find the cause of common complaints.

NOTICE

Failure to troubleshoot a problem correctly can damage your outboard motor. Improper repairs or adjustments may damage the outboard motor instead of fixing it. Such damage may not be covered under warranty.

If you are not sure about the proper action to correct a problem, consult your Suzuki marine dealer.

Recoil starter/starter motor will not operate:

- Shift lever is not in NEUTRAL.
- Fuse is blown out. (Electric start model).

Engine will not start (hard to start):

- Emergency stop switch lock plate is not in position.
- Fuel tank is empty.
- Fuel hose is not properly connected to engine.
- Fuel hose is kinked or pinched.
- Spark plug is fouled.

Engine idles unstably or stalls:

- Choke knob is not pushed in securely. (Manual choke model)
- Fuel hose is kinked or pinched.
- Spark plug is fouled.

Engine speed will not increase (Engine power is low):

- Engine is overloaded.
- Caution system is activated.
- Propeller is damaged.
- Propeller is not properly matched to loads.

Engine vibrates excessively:

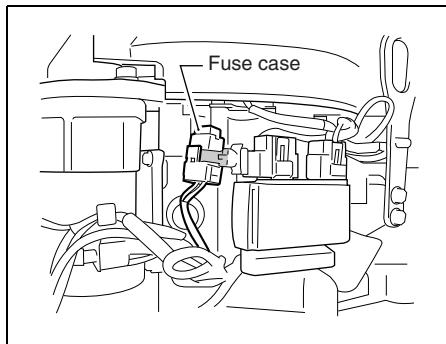
- Engine mounting bolts or clamp screws are loose.
- Foreign object (seaweed etc.) is tangled on propeller.
- Propeller is damaged.

Engine overheats:

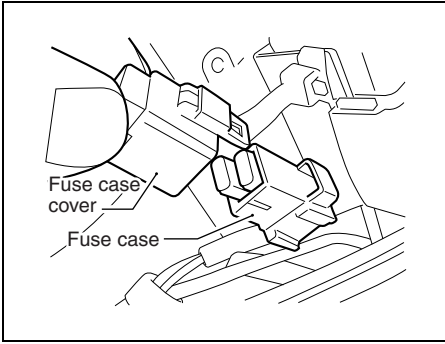
- Cooling water intake(s) are blocked.
- Engine is overloaded.
- Propeller is not properly matched to loads.

FUSE

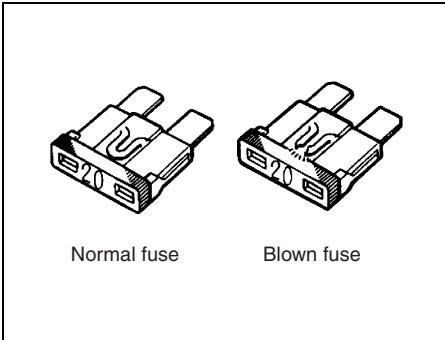
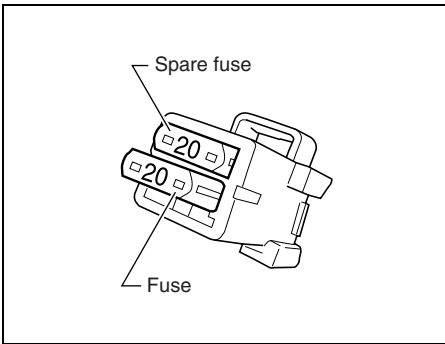
1. Turn the ignition key to the "off" position. (Remote control model)
2. Remove the motor cover.



3. Remove the fuse case cover and pull off the fuse.



4. Inspect the fuse and replace with new fuse if needed.



▲ WARNING

If you replace a blown fuse with a fuse having a different amperage rating or with a substitute such as aluminum foil or a wire, extensive electrical system damage and a fire may result.

Always replace a blown fuse with a fuse of the same type and rating.

NOTICE

If a new fuse blows in a short time after installation, you may have a major electrical system problem.

Consult your SUZUKI marine dealer.

SPECIFICATIONS

Item	DF25
Engine Type	4 Stroke
Number of Cylinders	2
Bore and Stroke	71.0 × 68.0 mm (2.80 × 2.68 in.)
Piston Displacement	538 cm ³ (32.8 cu. in.)
Maximum output	18.4 kW (25PS)
Full Throttle Operating Range	4700 – 5300 r/min. (min ⁻¹)
Idle speed (in Neutral)	1000 ± 50 r/min. (min ⁻¹)
Ignition System	SUZUKI PEI
Engine Lubrication	Trochoid pump pressure lubrication
Engine Oil Capacity	1.5 L (1.6/1.3 US/Imp. qt.)

Power rated in accordance with NMMA procedure.

DF25 (V-twin)

F

MANUEL DU PROPRIETAIRE

IMPORTANT

▲ AVERTISSEMENT/ ▲ ATTENTION/AVIS/ NOTE

Prière de lire ce manuel et de suivre attentivement ses instructions. Pour mettre en valeur des informations spéciales, le symbole ▲ et les mots **AVERTISSEMENT**, **ATTENTION**, **AVIS** et **NOTE** ont des significations spéciales. Faire très attention aux messages mis en valeur par ces mots signaux.

▲ AVERTISSEMENT

Indique un danger potentiel qui peut entraîner des blessures graves ou la mort.

▲ ATTENTION

Indique un danger potentiel qui peut entraîner des blessures légères ou plus sérieuses.

AVIS

Indique un danger potentiel qui peut entraîner des dommages au moteur ou au bateau.

NOTE:

Indique des instructions spéciales pour faciliter la maintenance ou expliquer les instructions avec précision.

INFORMATIONS CONCERNANT LE RODAGE DU MOTEUR HORS-BORD

Les premières dix heures de vie de ce moteur sont les plus importantes. Une utilisation appropriée est essentielle pendant cette période de rodage pour garantir une durée de vie et des performances optimales.

Pour tout ce qui concerne les recommandations spéciales de rodage, voir la section RODAGE de ce manuel.

RECOMMANDATIONS IMPORTANTES A L'INTENTION DES PROPRIETAIRES

▲ AVERTISSEMENT

Tout manquement au respect des précautions adéquates peut augmenter le risque d'accident mortel ou de blessures graves pour le pilote et ses passager.

- Avant d'utiliser votre moteur hors-bord pour la première fois, se familiariser avec le contenu de ce manuel de l'utilisateur. Bien comprendre toutes les caractéristiques du moteur et toutes les conditions de sécurité et d'entretien.
- Vérifier le bateau et le moteur avant chaque sortie. Se référer à la section **CONTROLE AVANT L'UTILISATION** pour les points de contrôle importants.
- Bien se familiariser avec toutes les caractéristiques de commande et de manoeuvre du bateau et du moteur. S'entraîner à petite vitesse et à vitesse moyenne jusqu'à maîtrise complète de la manoeuvre du bateau et du moteur. Ne jamais utiliser le moteur hors-bord à vitesse maximale avant de s'être complètement familiarisé avec toutes ces caractéristiques.
- S'assurer que l'équipement de sécurité et de secours se trouve à bord. Cet équipement important comprend; gilet de sauvetage pour chaque passager (plus une bouée gonflable si le bateau mesure 5 mètres ou plus), extincteur, dispositif de signalisation sonore, signaux de détresse visuels, ancre, pompe de cale, seau, boussole, corde de secours pour le lanceur, réserve de carburant et d'huile, trousse de premiers secours, lampe de poche, eau et provisions, miroir, rames, trousse à outils et poste de radio à transistors. Bien vérifier que tout l'équipement approprié se trouve à bord avant de prendre le large.

- Ne jamais lancer le moteur ou le faire tourner dans un endroit clos ou dans un endroit non ou faiblement aéré. Les gaz d'échappement contiennent du monoxyde de carbone, un gaz incolore et inodore pouvant entraîner la mort ou des blessures graves.
- Montrer aux passagers comment manoeuvrer le bateau, comment procéder en cas d'urgence et comment utiliser l'équipement de sécurité et de secours.
- Ne pas se retenir au capot du moteur ou toute autre pièce du moteur hors-bord pour monter à bord ou pour descendre.
- Vérifier que tous les passagers à bord ont revêtu leur gilet de sauvetage.
- Ne jamais utiliser un bateau quand on est sous l'influence d'alcool, de médicaments ou de narcotiques.
- Distribuer le poids de manière uniforme sur le bateau.
- Procéder à toutes les opérations d'entretien au moment prévu. Contacter le concessionnaire de moteurs hors-bord agréé Suzuki si nécessaire.
- Ne jamais modifier ou déposer une partie quelconque du moteur hors-bord. Le moteur risque alors de présenter un danger à l'utilisation.
- Bien s'informer et respecter toutes les règles de navigation en vigueur.
- Bien respecter les prévisions météorologiques. Ne pas sortir si le temps n'est pas favorable.
- Prendre toutes les précautions nécessaires à l'achat de pièces de rechange ou d'accessoires. Suzuki conseille vivement de n'utiliser que des pièces de rechange ou des accessoires Suzuki d'origine ou équivalent. Des pièces de rechange ou des accessoires non appropriés ou de mauvaise qualité risquent de mener à des conditions de fonctionnement dangereuses.

NOTE:

L'antenne de l'émetteur radio ou de l'équipement de navigation montée trop près du capot du moteur peut provoquer des parasites. Suzuki recommande que l'antenne soit installée à au moins un mètre du capot du moteur.

Ce manuel doit être considéré comme faisant partie du moteur hors-bord et doit accompagner ce moteur si celui-ci est revendu ou remis à un nouveau propriétaire ou utilisateur. Lire attentivement ce manuel avant d'utiliser ce nouveau Suzuki et le consulter de temps à autre. Il contient des informations importantes concernant la sécurité, l'utilisation et l'entretien.

AVANT-PROPOS

Ce manuel contient les instructions d'entretien et de maintenance du moteur hors-bord. Se conformer strictement à ces instructions pour assurer une longue durée de vie au moteur et l'absence de problèmes. Ce moteur hors-bord est par ailleurs conforme aux règles de l'Agence Américaine pour la Protection de l'Environnement (EPA) relatives aux émissions applicables aux moteurs hors-bord neufs. Un réglage approprié des composants doit être effectué pour mettre ce moteur aux normes des réglement de l'EPA. Il est donc important de se conformer soigneusement aux instructions d'entretien pour garantir la conformité des émissions. Les concessionnaires Suzuki emploient des techniciens expérimentés dûment formés et dotés de l'outillage et de l'équipement appropriés pour assurer le meilleur entretien possible des moteurs hors-bord.

Toutes les informations données dans ce manuel sont basées sur les plus récentes informations de produit disponibles au moment de la publication. Du fait d'améliorations ou autres modifications, il peut y avoir des différences entre ce manuel et votre moteur hors-bord. Suzuki se réserve le droit de procéder à tout moment et sans préavis à des changements dans la production, sans obligation de procéder aux mêmes changements ou à des changements similaires sur les moteurs hors-bord préalablement construits ou vendus.

PROTEGEZ LA NATURE

Protégez et préservez votre domaine de navigation et son accès terrestre. Ne jamais polluer les eaux ou la terre avec de l'huile, du carburant ou d'autres produits dangereux. Toujours s'assurer par exemple de la mise au rebut appropriée de l'huile pour engrenages après une vidange d'huile. Attention également aux immondices. Un simple effort permettra de conserver les domaines de navigation à long terme.

Suzuki Motor Corporation supporte la conservation et la protection des ressources naturelles de la terre.

A cet effet, nous encourageons tous les propriétaires de moteurs hors-bord à recycler, échanger ou mettre correctement au rebut les huiles et les batteries usagées.

SUIVRE UN COURS DE SECURITE EN MER

Un navigateur éduqué aura plus de plaisir à naviguer et il le fera dans de meilleures conditions de sécurité. Il est conseillé de suivre un cours de sécurité de navigation.

Aux Etats-Unis, les gardes côtes et l'U.S. Power Squadron, ainsi que diverses agences de la Croix Rouge, proposent des cours de code de la mer détaillant l'équipement nécessaire et conseillé sur les petits bateaux. Pour toute information sur ces cours, appeler le numéro vert 1-800-336-BOAT (2628).

Le département d'état américain de la navigation et les concessionnaires de moteur hors-bord Suzuki peuvent fournir toutes les informations supplémentaires nécessaires concernant la sécurité et la réglementation de la navigation. Il est également possible de se renseigner auprès des gardes côtes en appelant le 1-800-368-5647.

Mis en garde de la Proposition 65 de l'état de Californie

AVERTISSEMENT

Les gaz d'échappement, certains de leurs constituants et certains composants contiennent ou émettent des produits chimiques qui, à la connaissance de l'Etat de Californie, peuvent entraîner des cancers ou des malformations de naissance et autres problèmes.

TABLE DES MATIERES

CARBURANT ET HUILE.....	6
CARBURANT	6
PLEIN DU RÉSERVOIR DE CARBURANT	7
HUILE-MOTEUR	8
HUILE POUR ENGRENAGES	8
EMPLACEMENT DES ETIQUETTES DE SECURITE	9
EMPLACEMENT DES PIECES	11
INSTALLATION DU MOTEUR.....	13
MISE EN PLACE DE LA BATTERIE.....	15
TYPE DE BATTERIE	15
MISE EN PLACE DE LA BATTERIE.....	15
UTILISATION D'ACCESSOIRES ELECTRIQUES	17
CHOIX ET MONTAGE DE L'HELICE.....	17
CHOIX DE L'HELICE	17
MONTAGE DE L'HELICE	18
REGLAGES	19
REGLAGE DE L'ANGLE D'INCLINAISON.....	19
REGLAGE DE LA DERIVE ORIENTABLE	20
REGLAGE DE LA RIGIDITE DE LA DIRECTION	21
REGLAGE DE LA RIGIDITE DE L'ACCELERATEUR.....	21
REGLAGE DE REGIME DE RALENTI	22
UTILISATION DU MOTEUR HORS- BORD À HAUTE ALTITUDE.....	22
SYSTEMES DE SIGNALISATION	23
SYSTEME DE SIGNALISATION DE VITESSE.....	24
SYSTEME INDICATEUR DE PRESSION D'HUILE	24
SYSTÈME D'ALARME EAU DE REFROIDISSEMENT	25
UTILISATION DU SYSTEME DE RELEVAGE.....	26
LEVIER DE VERROUILLAGE D'INCLINAISON.....	26
BRAS DE VERROUILLAGE DE RELEVAGE	27
POSITION DE NAVIGATION EN EAU PEU PROFONDE	28

CONTROLE AVANT L'UTILISATION.....	30
RODAGE.....	32
UTILISATION.....	33
AVANT D'ESSAYER DE METTRE LE MOTEUR EN MARCHÉ.....	33
MISE EN MARCHÉ DU MOTEUR	35
MISE EN MARCHÉ DE SECOURS	40
INVERSION DE MARCHÉ ET COMMANDE DE LA VITESSE	42
ARRÊT DU MOTEUR.....	43
AMARRAGE.....	45
UTILISATION EN EAU PEU PROFONDE	45
PRECAUTIONS A SUIVRE EN EAU DE MER.....	46
UTILISATION PAR TEMPS FROID	46
DEPOSE ET TRANSPORT DU MOTEUR	47
DEPOSE DU MOTEUR.....	47
TRANSPORT DU MOTEUR.....	47
REMORQUAGE	49
CONTROLE ET ENTRETIEN	50
PLAN D'ENTRETIEN	50
BOUGIE.....	51
RENIFLARD ET CONDUITE D'ALIMENTATION	53
HUILE DU MOTEUR	54
HUILE DU CARTER D'ENGRENAGES.....	56
GRAISSAGE	57
PROTECTION CONTRE LA CORROSION.....	58
BATTERIE	59
FILTRE A HUILE MOTEUR	60
FILTRE A CARBURANT.....	60
RINCAGE DES PASSAGES D'EAU.....	60
MOTEUR IMMERGE.....	63
PROCEDURE DE REMISAGE.....	64
REMISAGE DU MOTEUR.....	64
REMISAGE DE LA BATTERIE.....	65
APRES LE REMISAGE	65
INFORMATIONS GENERALES.....	66
GARANTIE (ETATS-UNIS)	66
EMPLACEMENT DES NUMEROS D'IDENTIFICATION	66
INFORMATIONS CONCERNANT LA REGULATION DES EMISSIONS.....	66
DEPANNAGE.....	67
CARACTERISTIQUES.....	68

CARBURANT ET HUILE

CARBURANT

Suzuki recommande l'utilisation, dans toute la mesure du possible, d'une essence sans plomb et sans alcool d'un indice d'octane minimum de 87 (méthode de (R+M)/2). Dans certaines régions, les seuls carburants disponibles sont des carburants oxygénés. Il est possible d'utiliser de tels carburants avec ce moteur hors-bord dans le cadre de la garantie limitée accordée aux moteurs hors-bord neufs, si ces carburants ont un indice d'octane approprié et s'ils sont conformes aux conditions stipulées ci-après.

AVIS

Si de l'essence au plomb est utilisée, le moteur risque d'être endommagé. L'emploi d'un carburant incorrect ou de mauvaise qualité risque d'affecter les performances du moteur et de détériorer le moteur et le circuit d'alimentation.

Utiliser seulement de l'essence sans plomb. Ne pas utiliser un carburant avec un indice d'octane inférieur à celui indiqué ou un carburant usagé ou contaminé par l'eau/saleté ou autre.

NOTE:

Les carburants oxygénés sont des carburants qui contiennent des additifs comportant de l'oxygène comme le MTBE ou l'alcool.

Essence contenant du MTBE

De l'essence sans plomb contenant du MTBE (Methyl Tertiary Butyl Ether) peut être utilisée dans votre moteur hors-bord si la teneur en MTBE n'est pas supérieure à 15%. Ce carburant oxygéné ne contient pas d'alcool.

Mélanges essence/éthanol

Il est possible d'utiliser sur ce moteur hors-bord des mélanges d'essence sans plomb et d'éthanol (alcool de grain) appelés 'gasohol', si la teneur en éthanol est inférieure à 10%.

Mélanges essence/méthanol

Des mélanges d'essence sans plomb et de méthanol (alcool de bois) sont vendus dans certaines régions. Quelles que soient les circonstances, **NE JAMAIS UTILISER** des carburants contenant plus de 5% de méthanol. Suzuki décline toute responsabilité concernant les détériorations du circuit d'alimentation ou des performances du moteur pouvant résulter de l'emploi de tels carburants, détériorations qui risquent de ne pas être couvertes par la garantie accordée aux moteurs neufs. Des carburants à teneur en méthanol de 5% ou moins sont utilisables avec ce moteur sous réserve qu'ils contiennent des cosolvants et des inhibiteurs de corrosion.

Signalisation des pompes à essence

Dans certains pays, la législation stipule que le type et la teneur du composant oxygénant et la présence d'additifs important soient indiqués sur les pompes. Ce type d'indication doit fournir suffisamment d'informations pour permettre de déterminer si un mélange donné d'essence est conforme aux conditions indiquées précédemment. Dans d'autres pays, les distributeurs ne sont pas tenus légalement d'indiquer ces informations. En cas de doute quant à la composition du carburant, vérifier auprès du pompiste ou du distributeur.

NOTE:

- Bien vérifier que le mélange de carburant oxygéné utilisé a un indice d'octane d'au moins 87 à la pompe (méthode (R+M)/2)
- Si l'emploi d'un mélange essence/alcool ne donne pas entière satisfaction quant aux performances du moteur et à sa consommation, utiliser de l'essence sans plomb non mélangée à un alcool.
- En cas de cognement du moteur, changer de marque de carburant car les mélanges varient d'un distributeur à l'autre.
- Avec des essences sans plomb, les bougies ont une plus longue durée de vie.

AVIS

De l'essence abandonné dans le réservoir de carburant pendant une longue période produira du vernis et de la gomme, produits qui pourraient endommager le moteur.

Toujours utiliser de l'essence fraîche.

PLEIN DU RÉSERVOIR DE CARBURANT

Pour faire le plein du réservoir de carburant :

1. Toujours couper le moteur avant de faire le plein du réservoir de carburant.
2. Pour faire le plein, sortir le réservoir de carburant portable du bateau.

▲ AVERTISSEMENT

L'essence est extrêmement inflammable et toxique. L'essence peut provoquer un incendie et est dangereuse pour les personnes et les animaux.

Toujours observer les précautions suivantes lors du ravitaillement:

- Ne jamais permettre à une personne autre qu'un adulte de remplir le réservoir de carburant.
- Si vous utilisez le réservoir séparé de combustible, toujours arrêter le moteur et enlever ce réservoir du bateau pour le remplir.
- Ne pas remplir le réservoir de carburant au maximum; le carburant pourrait déborder lorsqu'il se dilate du fait du chauffage par le soleil.
- Faire attention à ne pas renverser de carburant. Si l'on renverse du carburant, l'éponger immédiatement.
- Ne pas fumer, et procéder à l'écart de toute flamme vive et étincelle.

AVIS

Les carburants contenant de l'alcool peuvent attaquer la peinture et de genre de dégâts n'est pas couvert par la garantie limitée accordée aux moteurs neufs.

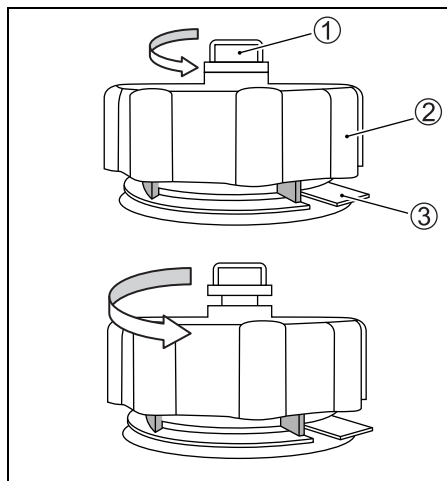
Faire attention à ne pas renverser de carburant contenant de l'alcool pendant le ravitaillement. Si le carburant est renversé, l'éponger immédiatement.

3. Pour ouvrir l'évent d'air, dévisser entièrement la vis de purge d'air ① se trouvant sur le bouchon du réservoir de carburant ② par rotation dans le sens contraire au sens horloger.

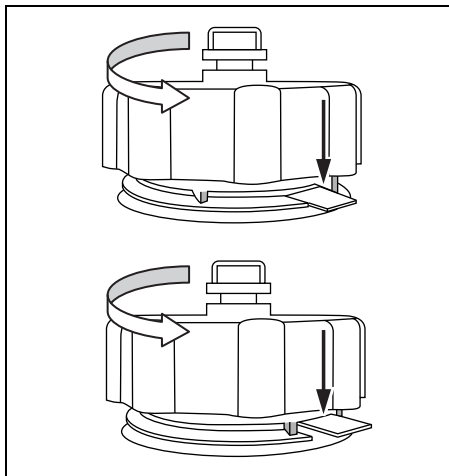
NOTE:

LA VIS DE PURGE doit être **FERMÉE** pendant le transport et **OUVERTE** pendant le **FONCTIONNEMENT** et pendant la **DÉPOSE DU BOUCHON**.

4. Localiser la languette de détente de la pression ③ se trouvant dans le bouchon du réservoir de carburant et faire tourner le bouchon dans le sens contraire au sens horloger jusqu'à ce que la languette s'engage dans le premier cran de verrouillage.



- Appuyer sur la languette pour libérer le verrouillage et faire tourner le bouchon du réservoir de 1/4 de tour. La languette s'engage avec le deuxième cran de verrouillage.
- Appuyer de nouveau sur la languette et tourner pour déposer le bouchon du réservoir de carburant.



- Faire le plein d'essence du réservoir de réservoir en procédant avec précautions. **Ne pas excéder le niveau maxi.**
- Serrer le bouchon du réservoir de carburant jusqu'au "clic".
- Resserrer la vis de purge d'air sur le bouchon du réservoir de carburant.

HUILE-MOTEUR

AVIS

L'emploi d'une huile-moteur de mauvaise qualité peut affecter les performances et la durée de service du moteur.

Suzuki recommande d'utiliser une huile pour moteur 4 temps Marine Suzuki ou son équivalent.

La qualité de l'huile contribue de façon majeure dans la performance et dans la durée de vie du moteur. Toujours choisir une huile de bonne qualité.

Suzuki recommande une HUILE POUR MOTEUR 4-TEMPS MARINE SUZUKI SAE 10W-40. S'il n'est pas possible de se procurer une HUILE POUR MOTEUR 4-TEMPS MARINE SUZUKI, choisir une huile FC-W certifiée NMMA ou une huile pour moteur 4-temps de bonne qualité dans le tableau suivant en fonction des températures moyennes du lieu d'utilisation.

Classification API	Nuance de viscosité SAE	
SG	10W-40	
SH	10W-40	
SJ	10W-40	
SL	10W-30	
SM	10W-30	
TEMP.	°C: -20 -10 0 10 20 30 40 °F: -4 14 32 50 68 86 104	

NOTE:

Par temps très froid (moins de 5°C), utiliser une huile de nuance SAE (ou NMMA FC-W) 5W-30 pour garantir un démarrage et un fonctionnement sans problème.

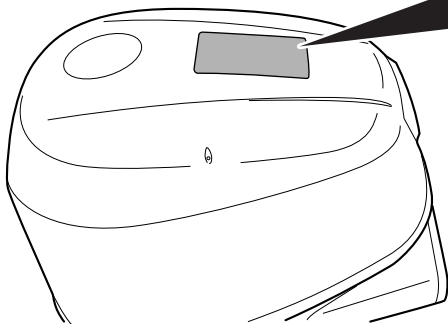
HUILE POUR ENGRENAGES

Suzuki recommande l'utilisation d'une HUILE POUR ENGRENAGE HYPOÏDE SUZUKI. S'il n'est pas possible de se procurer ce type d'huile, utiliser une huile pour engrenage hypoïde SAE 90 classée GL-5 dans le système de classification de l'API.

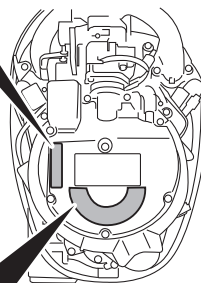
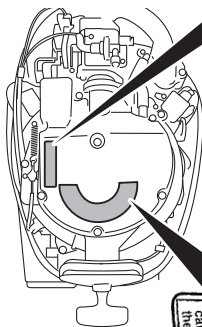
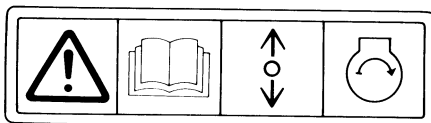
EMPLACEMENT DES ÉTIQUETTES DE SECURITE

Lire et suivre les instructions des étiquettes de sécurité collées sur le moteur hors-bord ou sur le réservoir de carburant. S'assurer que vous comprenez bien les instructions sur ces étiquettes.


Laisser les étiquettes sur le moteur hors-bord ou le réservoir de carburant. Ne les enlever en aucun cas.

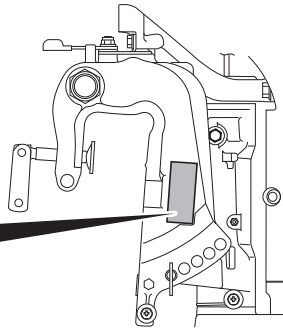


⚠ WARNING
<ul style="list-style-type: none"> • Ensure shift control is in neutral before starting motor. • When engine is running, do not remove or install motor cover. • Read owner's manual carefully before operating the motor.
⚠ AVERTISSEMENT
<ul style="list-style-type: none"> • S'assurer que le levier de changement de vitesse est au point mort avant de mettre le moteur en marche. • Quand le moteur est en marche, ne pas retirer ou remettre le capot du moteur. • Bien lire le manuel du propriétaire avant de mettre le moteur en marche.
⚠ ADVERTENCIA
<ul style="list-style-type: none"> • Asegúrese de que el control de cambio de marcha esté en punto muerto antes de arrancar el motor. • Cuando el motor esté funcionando, no monte ni desmonte la capota del motor. • Lea cuidadosamente el manual del propietario antes de utilizar el motor.



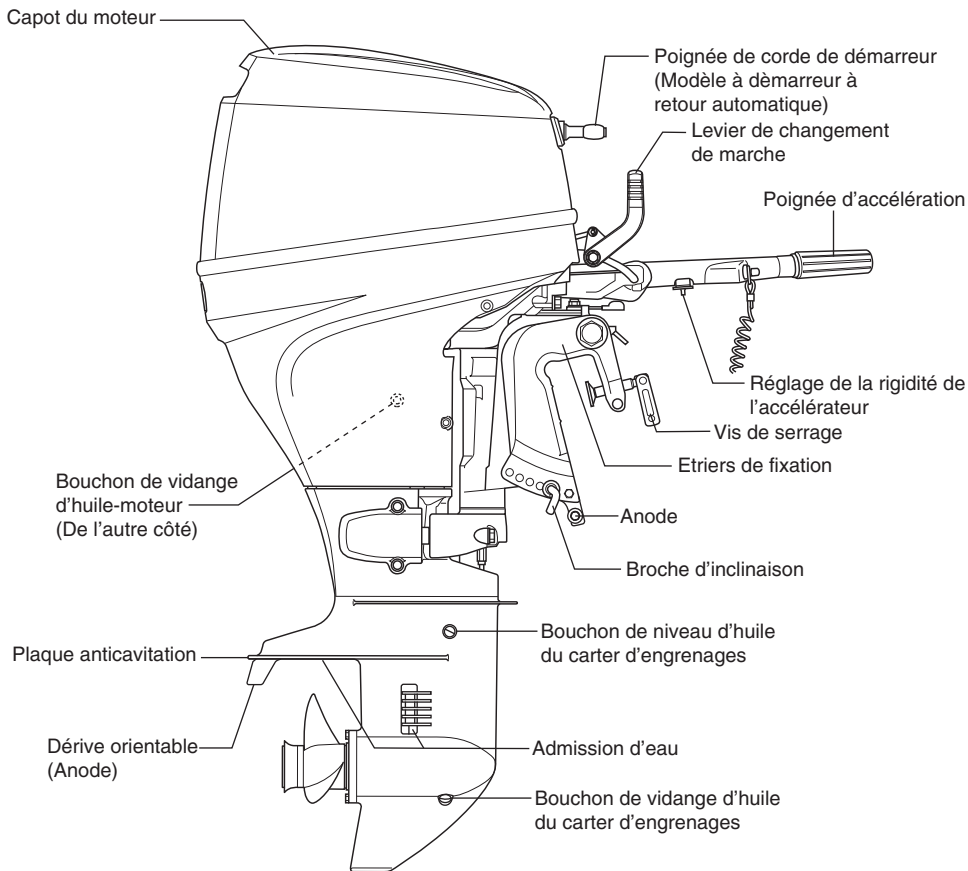
⚠ WARNING	⚠ AVERTISSEMENT	⚠ ADVERTENCIA
<ul style="list-style-type: none"> • When an engine is running, do not touch the propeller, hands, feet, clothing, etc., or get from engine. • Read the manual carefully before operating the motor. 	<ul style="list-style-type: none"> • Quand le moteur est en marche, éloigner les mains, les cheveux, les vêtements, etc. du moteur. • Bien lire le manuel du propriétaire avant de mettre le moteur en marche. 	<ul style="list-style-type: none"> • Cuando el motor está funcionando, no toque el eje de hélice, manos, pies, ropa, etc., alejándose del motor. • Lea cuidadosamente el manual del propietario antes de utilizar el motor.

	⚠ WARNING
	To avoid injury, motor must be securely bolted to transom.
	⚠ AVERTISSEMENT
	Pour éviter les accidents, boulonner soigneusement le moteur à la voute.
	⚠ ADVERTENCIA
	Asegúrese de haber ajustado bien los tornillos para que el motor quede seguro en la embarcación.

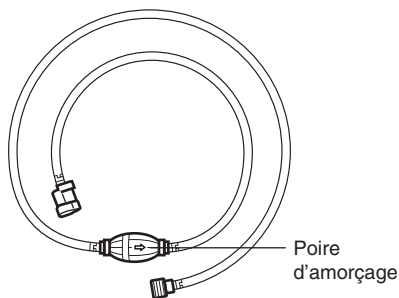
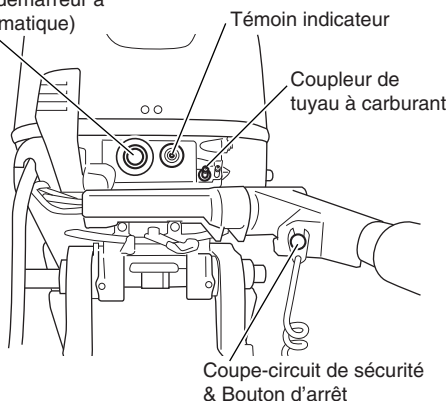


EMPLACEMENT DES PIÈCES

MODÈLE À BARRE DE DIRECTION

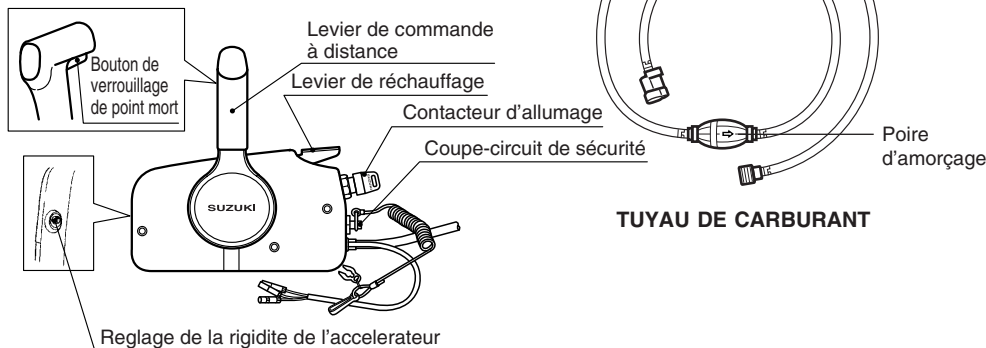
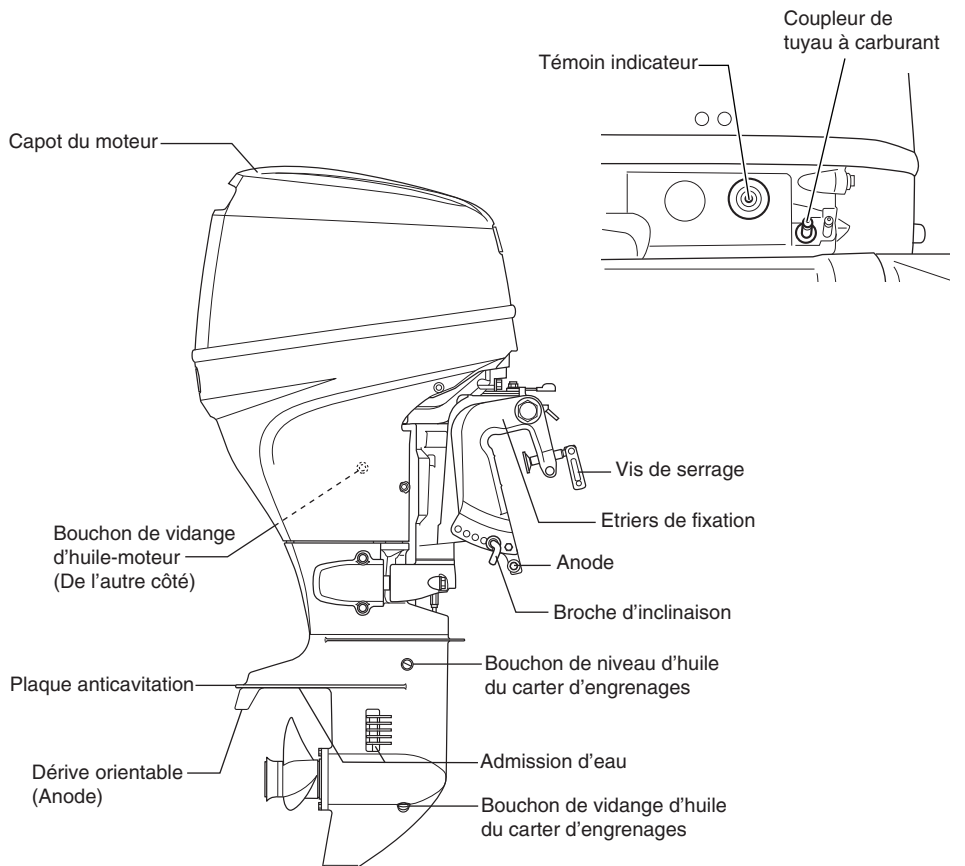


Bouton de démarreur (Modèle à démarreur électrique)
 Bouton de starter (Modèle à démarreur à retour automatique)



TUYAU DE CARBURANT

MODÈLE À COMMANDE À DISTANCE



BOITIER DE COMMANDE A DISTANCE

INSTALLATION DU MOTEUR

▲ AVERTISSEMENT

Un moteur trop puissant sur votre bateau peut être dangereux. Une puissance excessive va avoir un effet inverse sur la sécurité à la coque et va présenter des difficultés de manoeuvre. Le bateau risque également d'être soumis à des tensions résultant en détérioration de la coque.

Ne jamais installer un moteur hors-bord d'une puissance dépassant la puissance maximale recommandée mentionnée sur la "Plaque d'homologation" du bateau. Contacter un concessionnaire de moteurs hors-bord agréé Suzuki si la "Plaque d'homologation" de la coque semble manquer.

NOTE:

La réglementation interdit aux concessionnaires de moteurs hors-bord d'entretenir des moteurs d'une puissance supérieure à celle conseillée pour le bateau sur lequel ils sont montés.

MODÈLE À BARRE DE DIRECTION

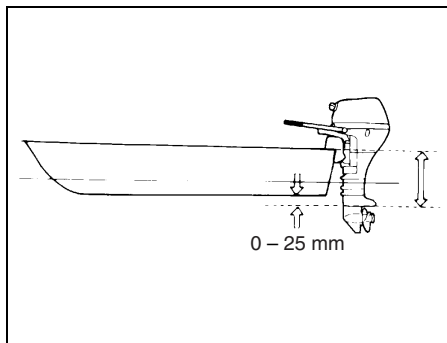
Une hauteur de tableau arrière correcte est importante pour un bon fonctionnement. Un moteur monté sur un tableau arrière trop haut fait patiner son hélice, ce qui entraîne une perte de puissance ou une surchauffe. Un moteur monté sur un tableau arrière trop bas augmente la résistance à l'avancement, ce qui entraîne une diminution de vitesse.

S'assurer que lorsque le moteur est abaissé au maximum, la plaque anticavitation est située à 0 - 25 mm au-dessous du fond du bateau.

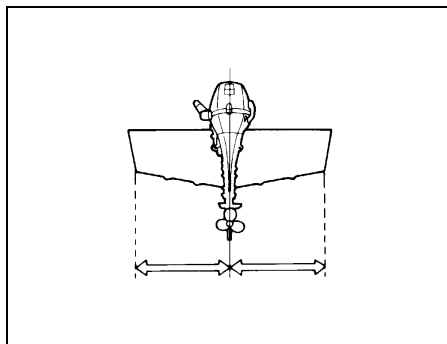
AVIS

Si la plaque anticavitation est au-dessus de la surface de l'eau, le moteur risque de surchauffer et d'être endommagé sérieusement.

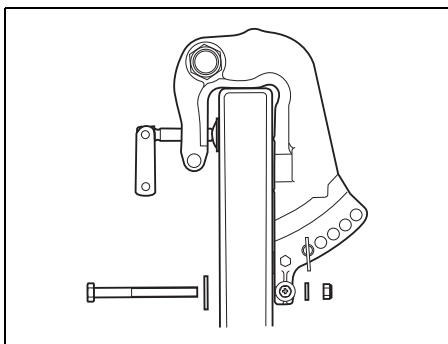
Ne pas utiliser le moteur hors-bord si la plaque anticavitation est au-dessus de la surface de l'eau.



Centrer le moteur sur le tableau arrière et le fixer en serrant alternativement les vis de presse à la main. S'assurer que le moteur est centré avec précision, sinon le bateau se déportera vers un côté lors de l'utilisation.



Monter les boulons de 10 mm, les rondelles et les écrous comme indiqué sur l'illustration puis serrer les boulons séquentiellement. Ne pas oublier de boucher les trous pour empêcher toute infiltration d'eau.



Après la pose du moteur, contrôler le bon fonctionnement du mécanisme de direction et d'inclinaison et s'assurer que le câble de batterie (si prévu) ne présente pas d'interférence avec le mouvement du moteur.

▲ AVERTISSEMENT

Si le moteur n'est pas correctement fixé au tableau arrière, il peut se décrocher.

Ne pas oublier de boulonner le moteur au tableau arrière. S'il n'était fixé que par les vis des étriers de fixation, il pourrait s'enlever. De temps en temps, contrôler le serrage de ces vis.

AVIS

Si vous tenter de monter le moteur hors-bord sur le tableau arrière sans connaissance en mécanique ou si vous n'êtes pas sûr de l'endroit où percer les trous, vous risquez d'endommager sérieusement le bateau.

Si vous n'avez pas de connaissance en mécanique ou n'êtes pas sûr de l'endroit où percer les trous dans le tableau arrière du bateau, vous devez confier la pose à votre distributeur de moteurs hors-bord Suzuki.

MODÈLE À COMMANDE À DISTANCE

Suzuki recommande vivement de faire installer le moteur hors-bord, les commandes et les indicateurs par un concessionnaire marin accrédité Suzuki. Il possède les outils, les locaux et le savoir faire nécessaires.

▲ AVERTISSEMENT

Un mauvais montage du moteur hors-bord et des commandes et indicateurs connexes peut se traduire par un accident ou par un endommagement du moteur.

Suzuki recommande vivement de faire installer votre moteur hors-bord, les instruments de commande et de contrôle par un concessionnaire de moteurs hors-bord agréé Suzuki. Il dispose de tout l'outillage et de tous les appareils nécessaires et est entièrement qualifié pour effectuer ce travail correctement.

MISE EN PLACE DE LA BATTERIE

TYPE DE BATTERIE

Choisir une batterie 12 V à accumulateur au plomb type démarrage conforme aux caractéristiques suivantes.

**Marine Cranking (Démarrage marine)
450 ampères (MCA)/ABYC,
ou Cold Cranking (Démarrage à froid)
330 ampères (CCA)/SAE
ou Reserve Capacity (RC) (Capacité de
réserve) 70 minutes/SAE**

NOTE:

- Les caractéristiques spécifiées ci-dessus sont les conditions nominales minimum requises pour le démarrage du moteur.
- Toute charge électrique supplémentaire va requérir l'installation d'une batterie de capacité supérieure. Pour déterminer la batterie appropriée à votre bateau et à son moteur, voir un concessionnaire Suzuki.
- Il est possible d'utiliser des batteries mixtes (à démarrage/décharge poussée) si celles-ci sont conformes aux caractéristiques minimum spécifiées ci-dessus (MCA, CCA ou RC).
- Ne pas utiliser une batterie à décharge poussée comme batterie de démarrage principale.
- Il n'est pas conseillé d'utiliser une batterie du type batterie sans entretien ou du type pile sèche qui risque de ne pas être compatible avec le système de charge de Suzuki.
- Si plusieurs batteries sont raccordées en parallèle, celles-ci doivent être du même type, de même capacité, de même marque de fabrication et d'âge similaire. Au moment d'un changement, toutes les batteries doivent être changées en même temps. Pour toute information sur la bonne installation de ces batteries, voir un concessionnaire Suzuki.

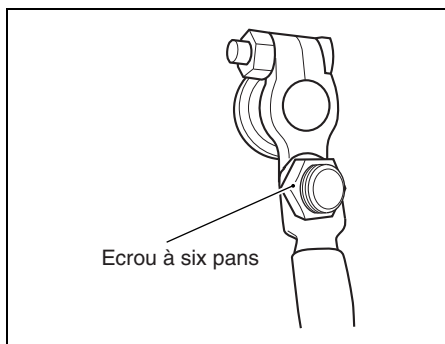
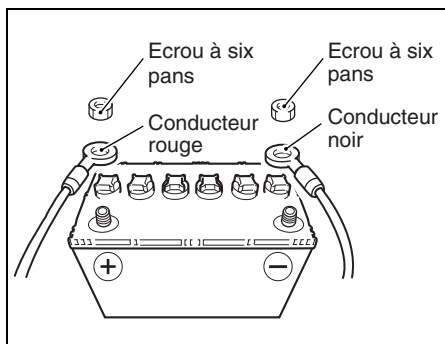
MISE EN PLACE DE LA BATTERIE

Monter la batterie dans un endroit du bateau à l'abri de l'humidité et des vibrations.

NOTE:

- Il est conseillé d'installer la batterie dans un boîtier étanche.
- Au raccordement de la batterie, fixer les câbles électriques aux plots de la batterie à l'aide d'écrous à six pans.

Pour raccorder la batterie, raccorder d'abord le conducteur rouge entre le moteur et le plot positif de la batterie, puis raccorder le conducteur noir au plot négatif.



Pour enlever la batterie, débrancher d'abord le câble noir de la borne négative. Ensuite, débrancher le câble rouge de la borne positive.

Pour réduire les chances de court-circuit accidentel et d'étincelles, raccorder et débrancher la batterie comme décrit précédemment.

▲ AVERTISSEMENT

Ne pas placer la batterie près du réservoir de carburant, une étincelle de la batterie risque d'allumer l'essence et de résulter en incendie et/ou en explosion.

Ne placer le réservoir de carburant dans le même compartiment/au même endroit que la batterie.

▲ AVERTISSEMENT

Les batteries déchargent un mélange d'hydrogène qui risque d'exploser à proximité d'une flamme ou d'une étincelle.

Ne jamais fumer ou provoquer une étincelle à proximité de la batterie. Eloigner la batterie de toute source de flamme. Pour éviter la formation d'étincelle pendant la recharge de la batterie, connecter les câbles du chargeur aux bornes correspondantes avant de mettre le chargeur sous tension.

▲ AVERTISSEMENT

Le liquide de batterie est nocif et corrosif. Il peut causer des blessures graves et détériorer les surfaces peintes.

Eviter tout contact avec les yeux, la peau, les vêtements et les surfaces peintes. En cas de contact avec le liquide de batterie, rincer immédiatement avec beaucoup d'eau. En cas de contact avec les yeux ou la peau, consulter un docteur immédiatement.

AVIS

Le système électrique est constitué d'éléments qui risquent d'être détériorés si les précautions nécessaires concernant la batterie ne sont pas respectées.

- **Veiller à bien connecter les conducteurs de la batterie.**
- **Ne pas déconnecter les conducteurs de la batterie quand le moteur tourne.**

UTILISATION D'ACCESSOIRES ELECTRIQUES

Pour utiliser les accessoires, installer une batterie de puissance 40 AH minimum, un redresseur et les pièces connexes. (Modèle à démarreur à rappel uniquement.)

AVIS

Si les accessoires électriques sont directement raccordés à la prise électrique du moteur, ils risquent d'être endommagés.

Raccorder les feux et les accessoires électriques du bateau à la batterie. Pour toute information concernant le câblage à effectuer, voir un concessionnaire marine agréé Suzuki.

La puissance (CC12V) disponible pour les accessoires, toutefois, dépend de la condition d'utilisation du moteur. Pour obtenir des informations plus détaillées, veuillez-vous enquérir auprès d'un vendeur SUZUKI agréé de pièces détachées.

NOTE:

Une alimentation électrique trop puissante pour les accessoires électriques dans certaines conditions opératoires risque de décharger la batterie.

NOTE:

Sur les modèles pourvus d'une prise, débrancher le câble de charge de la prise et installer le chapeau pour éviter toute entrée d'eau quand l'alimentation électrique n'est pas nécessaire.

CHOIX ET MONTAGE DE L'HELICE

CHOIX DE L'HELICE

Il est primordial d'équiper votre moteur hors-bord d'une hélice adaptée correctement aux caractéristiques de fonctionnement du bateau. La vitesse du moteur lorsque l'on utilise le bateau sous accélération maximale dépend de l'hélice que l'on utilise. Un régime excessif du moteur risque de l'endommager sérieusement, tandis qu'un régime réduit à plein gaz va se traduire par une faible performance. Le choix de l'hélice est par ailleurs fonction de la charge de service. Des charges plus faibles demandent en général des hélices à pas plus grand et les charges plus importantes des hélices à pas plus petit. Les concessionnaires de moteurs hors-bord agréés Suzuki peuvent vous aider à choisir l'hélice appropriée pour votre bateau.

AVIS

Installer une hélice ayant un pas trop élevé ou trop bas entraîne un régime maximum du moteur anormal et ceci peut entraîner des détériorations sérieuses du moteur.

Demander au concessionnaire Suzuki agréé de vous conseiller pour la sélection d'une hélice appropriée à votre bateau.

Pour déterminer si l'hélice est appropriée aux conditions du bateau, vérifier le régime sur le compte-tour à plein gaz et à charge minimum. Si l'hélice est appropriée, le régime se trouve dans les limites suivantes:

DF25	4700 – 5300 tr/min. (min ⁻¹)
------	---

Si le régime du moteur est n'est conforme à ces limites, voir le concessionnaire de moteurs hors-bord agréé Suzuki pour décider la taille de l'hélice la plus appropriée.

Après un changement de l'hélice, procéder à nouveau au contrôle précédent pour vérifier que le régime du moteur à plein gaz est dans les limites spécifiées.

MONTAGE DE L'HELICE

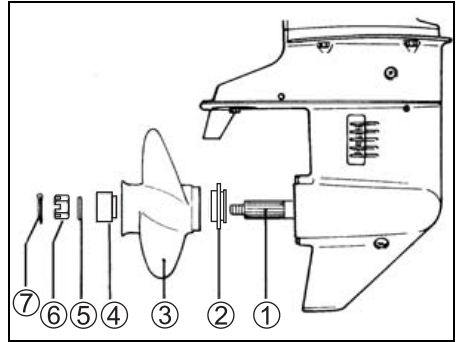
▲ AVERTISSEMENT

Ne pas manquer de suivre les précautions d'usage pendant la pose ou la dépose de l'hélice, afin d'éviter tout risque de blessure grave.

Pour monter ou déposer l'hélice:

- Toujours mettre la boîte au "point mort" et enlever la plaque de verrouillage du contacteur d'arrêt d'urgence pour éviter toute remise en route accidentelle du moteur.
- Revêtir des gants de sécurité pour se protéger les mains et "verrouiller" l'hélice en insérant un bloc de bois entre les pales et la plaque anticavitation.

Pour monter une hélice sur le moteur hors-bord, procéder comme suit:



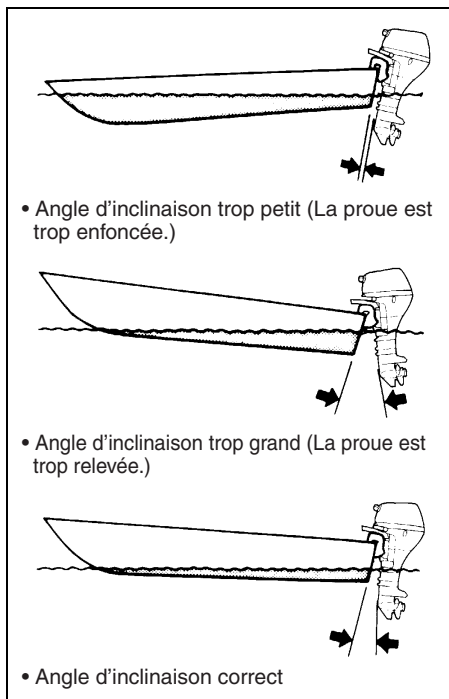
1. Enduire les cannelures de l'arbre d'hélice ① d'une généreuse couche de graisse hydrofuge afin d'empêcher la formation de rouille.
2. Mettre la butée ② sur l'arbre.
3. Faire coïncider les cannelures de l'arbre d'hélice et celles du moyeu de l'hélice puis glisser l'hélice ③ sur l'arbre.
4. Mettre l'entretoise ④ et la rondelle ⑤ sur l'arbre comme illustré.
5. Visser l'écrou d'hélice ⑥ puis, à l'aide d'une clé dynamométrique, le serrer à un couple de 29 – 31 N·m (2,9 – 3,1 kg-m/21,0 – 22,5 lb-ft).
6. Insérer la goupille fendue ⑦ et recouber ses extrémités afin qu'elle ne puisse pas s'enlever.

Pour déposer l'hélice, inverser la procédure ci-dessus.

REGLAGES

REGLAGE DE L'ANGLE D'INCLINAISON

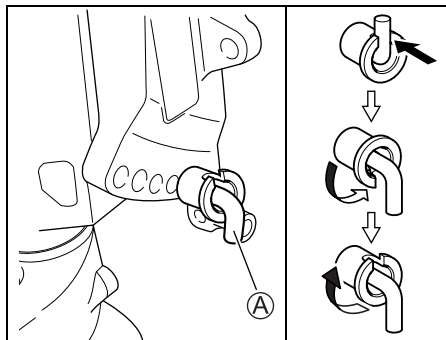
Afin d'obtenir une bonne stabilité directionnelle et de bonnes performances, toujours maintenir l'angle d'inclinaison correct comme illustré. L'angle d'inclinaison approprié varie en fonction de la combinaison bateau, moteur et hélice, ainsi qu'en fonction des conditions d'utilisation.



Faire une marche d'essai avec le bateau pour déterminer si l'angle d'inclinaison nécessite un réglage.

Pour régler l'angle d'inclinaison:

1. Verrouiller le moteur en position entièrement relevé. (Se reporter à la section BARS DE VERROUILLAGE DE RELEVAGE.)
2. Repositionner la broche d'inclinaison (A) dans les trous désirés.



3. Abaisser le moteur.

Pour abaisser le pouce, déplacer la broche vers le bateau.

Pour relever la proue, écarter le broche du bateau.

Après avoir réglé l'angle de l'assiette, effectuer un nouvel essai de marche pour s'assurer que ce réglage est satisfaisant.

▲ AVERTISSEMENT

L'angle d'assiette affecte considérablement la commande du bateau. Si l'angle d'assiette est trop faible, le bateau risque de "plonger" ou de "piquer du nez". Si l'angle d'assiette est trop grand, le bateau peut devenir impossible à barrer, de tanguer d'un côté à l'autre ou de l'avant vers l'arrière. Ces conditions, qui entraînent la perte de contrôle du bateau, risquent de jeter les passagers par-dessus bord.

Toujours maintenir un angle d'assiette correct, en se basant sur la combinaison de votre bateau, de son moteur et de son hélice, ainsi que sur les conditions de navigation.

▲ AVERTISSEMENT

Si vous utilisez le moteur avec la goupille de basculage déposée, la commande du bateau risque d'en être affectée.

Ne pas utiliser le moteur avec la goupille de basculage déposée.

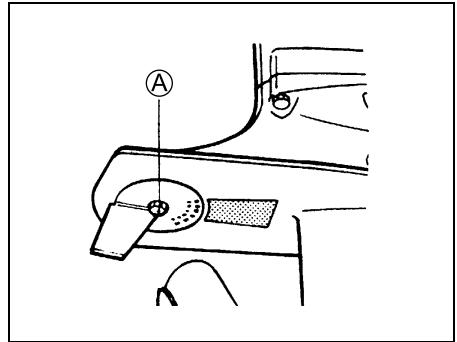
REGLAGE DE LA DERIVE ORIENTABLE

Ce réglage est utilisé pour compenser la possible tendance du bateau à se déporter légèrement vers la gauche ou vers la droite.

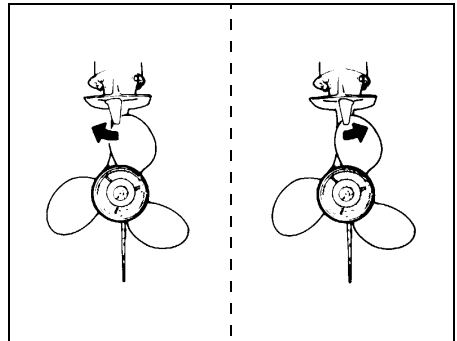
Cette tendance peut être due à des facteurs tels que couple de l'hélice, position de montage du moteur, est.

Pour régler la dérive orientable:

1. Desserrer le boulon (A) servant à immobiliser la dérive orientable.



2. Si le bateau tend à se déporter vers la gauche, déplacer l'arrière de la dérive orientable vers la gauche. Si le bateau tend à se déporter vers la droite, déplacer l'arrière de la dérive orientable vers la droite.



3. Resserrer le boulon servant à immobiliser la dérive orientable.

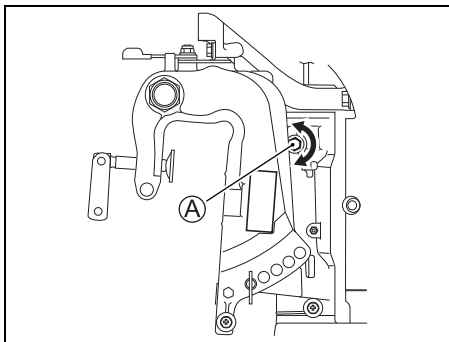
Après avoir réglé la dérive orientable, contrôler si le bateau tend toujours à se déporter vers un côté. Si nécessaire, rerégler la dérive orientable.

REGLAGE DE LA RIGIDITE DE LA DIRECTION

La direction de votre moteur hors-bord doit être douce, sans point dur. Régler sa rigidité de manière telle qu'il n'y ait qu'une légère résistance au déplacement.

MODÈLE À COMMANDE À DISTANCE

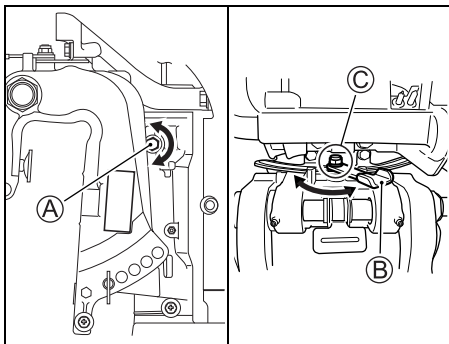
Pour augmenter cette rigidité, tourner le dispositif de réglage **A** vers la droite. Pour diminuer la rigidité, tourner ledit dispositif de réglage vers la gauche.



MODÈLE À BARRE DE DIRECTION

Pour augmenter cette rigidité, tourner le dispositif de réglage **A** vers la droite. Pour diminuer la rigidité, tourner ledit dispositif de réglage vers la gauche.

Pour réglage auxiliaire, utiliser le levier de tension du gouverneur **B**. Pour augmenter la tension du gouverneur, déplacer le levier **B** à gauche. Pour réduire la tension du gouverneur, déplacer le levier à droite.



NOTE:

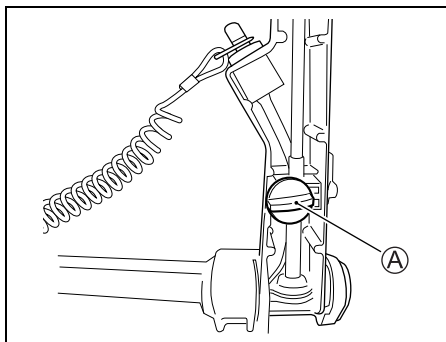
- Pour ajuster la friction initiale du gouverneur, utiliser le boulon de tension du gouverneur **A** après avoir déplacé complètement à droite le levier de tension du gouverneur **B**.
- Ne pas appliquer de graisse sur la partie **C**.

REGLAGE DE LA RIGIDITE DE L'ACCELERATEUR

MODÈLE À BARRE DE DIRECTION

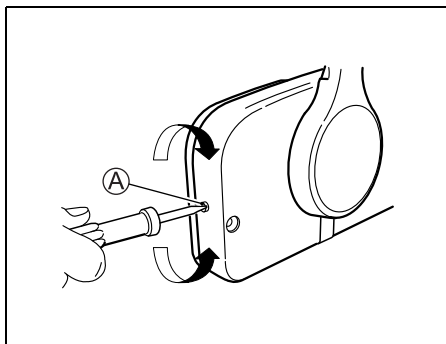
La rigidité de la poignée de commande des gaz peut être réglée selon votre préférence. Pour augmenter cette rigidité, tourner le bouton de réglage **A** vers la droite.

Pour diminuer la rigidité, tourner ce bouton vers la gauche.



MODÈLE À COMMANDE À DISTANCE

La rigidité du levier de commande à distance peut être réglée selon votre préférence. Pour augmenter cette rigidité, tourner le bouton de réglage **A** vers la droite. Pour diminuer la rigidité, tourner ce bouton vers la gauche.

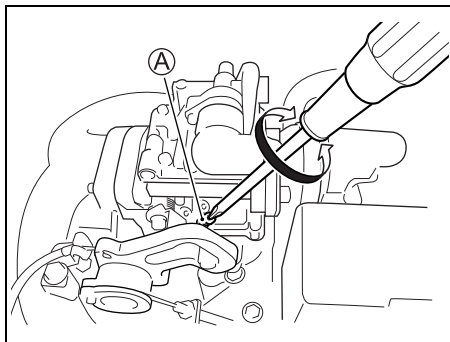


REGLAGE DE REGIME DE RALENTI

Le régime de ralenti du moteur hors-bord a été réglé par le concessionnaire.

S'il est nécessaire de régler le régime de ralenti, utiliser la procédure suivante.

1. Faire chauffer le moteur pendant environ 5 minutes.
2. Vérifier que le moteur est au Point Mort ("Neutral") et que les gaz sont coupés.
3. Tourner le vis de réglage de ralenti (A) vers la droite pour augmenter le régime de ralenti ou vers gauche pour le diminuer.



Régime de ralenti (au point mort)	950 – 1050 tr/min. (min ⁻¹)
--------------------------------------	--

NOTE:

Si le régime de ralenti ne peut pas être réglé dans la plage spécifiée, adressez-vous à votre revendeur agréé de moteurs hors-bords Suzuki.

UTILISATION DU MOTEUR HORS-BORD À HAUTE ALTITUDE

Votre moteur hors-bord est doté d'un carburateur conçu pour l'utilisation à une altitude allant jusqu'à 1500 mètres. Si le moteur est utilisé à une altitude plus élevée, la différence de pression d'air peut affecter le mélange air-carburant et le rendre trop riche pour le bon fonctionnement du moteur. Ceci risque de réduire ses performances, d'augmenter la consommation en essence, de rendre le démarrage à chaud difficile et d'augmenter les émissions de gaz d'échappement.

Si vous utilisez régulièrement votre moteur hors-bord à plus de 1500 mètres d'altitude, un carburateur à gicleur de spécifications différentes est disponible pour obtenir le mélange air-carburant adéquat en fonction du changement de la pression d'air. Ce carburateur peut être commandé auprès des concessionnaires Suzuki Marine agréés et permet de faire fonctionner votre moteur normalement. Pour utiliser ce carburateur, Suzuki recommande de le faire installer par un concessionnaire Suzuki Marine agréé, ou un technicien qualifié.

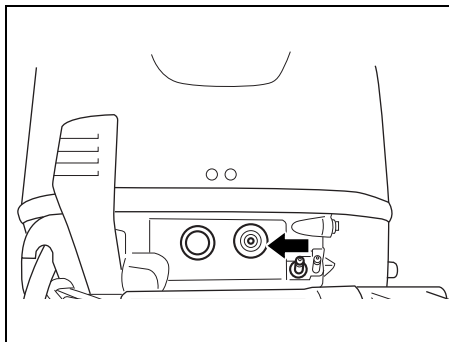
AVIS

Si vous utilisez le moteur hors-bord à basse altitude (moins de 1500 mètres) quand le moteur a été modifié pour utilisation à haute altitude, le moteur risque d'être endommagé par surchauffement ou les émissions de gaz d'échappement peuvent être excessives.

Veiller à bien remettre en état les spécifications de giclage du moteur hors-bord après sa modification pour utilisation à haute altitude avant d'utiliser le moteur hors-bord à basse altitude (moins de 1500 mètres).

SYSTEMES DE SIGNALISATION

Le système de signalisation est conçu pour vous avertir de certaines situations qui peuvent entraîner un endommagement de votre moteur hors-bord.



AVIS

Votre moteur hors-bord risque d'être endommagé si vous ne comptez que sur le système de signalisation qui se déclenche en cas de panne ou pour vous indiquer une procédure d'entretien.

Pour éviter toute détérioration de votre moteur hors-bord, procéder périodiquement à un contrôle et à un entretien du moteur hors-bord.

AVIS

Le fait d'utiliser en permanence votre moteur hors-bord avec le système de signalisation risque d'endommager sérieusement le moteur hors-bord.

Si le système de signalisation se déclenche pendant le fonctionnement du moteur hors-bord, arrêter le moteur le plus vite possible et rectifier le problème ou consulter le concessionnaire de moteurs hors-bord agréé Suzuki pour assistance.

Pour indiquer qu'il fonctionne, le témoin de pression d'huile s'allume pendant quelques secondes après la mise en marche du moteur. Pour le modèle à commande à distance, le vibreur sonore dans le boîtier de commande à distance retentit également.

AVIS

Si le système de signalisation ne fonctionne pas correctement, vous risquez d'ignorer une défaillance qui pourrait endommager le moteur hors-bord.

Si le témoin d'alerte ne s'allume pas pendant un instant au démarrage du moteur, et s'éteint immédiatement après, le témoin est sans doute défectueux ou une défaillance existe dans le circuit du système. Consulter votre concessionnaire agréé Suzuki pour le câblage correct.

AVIS

Continuer à utiliser le moteur hors-bord quand le système d'alarme de pression d'huile est activé peut entraîner une grave détérioration du moteur hors-bord.

Si le témoin du système d'alarme de pression d'huile reste allumé, couper le moteur dès que possible et faire l'appoint en huile si nécessaire. Si le niveau d'huile est correct, voir un concessionnaire marine agréé Suzuki.

SYSTEME DE SIGNALISATION DE VITESSE

Ce système est activé quand la vitesse du moteur dépasse la valeur maximale recommandée pendant plus de dix secondes.

Quand ce système est activé, la vitesse du moteur est automatiquement réduite à 3000 tr/min. et le témoin d'avertissement s'allume.

Ce système doit être réinitialisé en mettant l'accélérateur sur la position de ralenti pendant environ une seconde pour rétablir le fonctionnement normal du moteur.

AVIS

Si le système de signalisation de sur-régime se déclenche au régime maximum recommandé et si vous êtes sûr que le pas de l'hélice est suffisant et qu'aucun autre facteur tel que "sur-assiette" ou "ventilation" ne prévaut, il existe probablement un problème sur le système de signalisation de sur-régime.

Consulter un concessionnaire de moteurs hors-bord agréé Suzuki si le système de signalisation de sur-régime se déclenche sans raison apparente.

SYSTEME INDICATEUR DE PRESSION D'HUILE

Ce système se met en marche quand la pression de l'huile du moteur est inférieure à la valeur normale.

Quand ce système est activé, le témoin s'allume. Sur le modèle à commande à distance, le vibreur situé dans le boîtier de commande à distance émettra simultanément une série de bips. Quand ce système est activé à 2000 tr/min. ou plus, la vitesse du moteur est automatiquement réduite à environ 2000 tr/min.

Si ce système est activé, arrêter le moteur immédiatement; si les conditions météorologiques ambiantes le permettent sans danger.

▲ AVERTISSEMENT

Si vous tentez de déposer ou reposer le capot du moteur quand le moteur tourne, risque de blessure.

Pour vérifier le niveau d'huile, couper le moteur et déposer le capot du moteur.

Contrôler le niveau d'huile et le compléter si nécessaire. Si le niveau d'huile est correct, consulter votre distributeur de moteurs hors-bord Suzuki.

AVIS

Votre moteur risque d'être sérieusement endommagé si vous ne comptez que sur le système indicateur de pression d'huile pour indiquer qu'il est nécessaire de faire l'appoint d'huile-moteur.

Vérifier périodiquement le niveau d'huile-moteur et faire l'appoint d'huile si nécessaire.

AVIS

Le fait d'utiliser en permanence votre moteur hors-bord avec le système indicateur de pression d'huile risque d'endommager sérieusement le moteur hors-bord.

Si le système indicateur de pression d'huile se déclenche, arrêter le moteur le plus vite possible et faire l'appoint en huile-moteur, si nécessaire, ou rectifier le problème.

SYSTÈME D'ALARME EAU DE REFROIDISSEMENT

Cette alarme se déclenche quand la température de la paroi du cylindre est trop élevée du fait d'un manque d'eau de refroidissement.

NOTE:

Le système d'alarme de l'eau de refroidissement ne peut pas détecter une forte élévation de la température de la chambre de combustion résultant par exemple d'une défaillance du circuit d'huile, d'une mauvaise qualité du carburant ou de bougies de valeur thermique inappropriée.

Quand l'alarme est déclenchée, le témoin s'allume. Sur les modèles à télécommande, le vibreur du boîtier de télécommande émet une série de bips. Si l'alarme est déclenchée à un régime de 2 000 tr/min ou plus, le régime du moteur est automatique maintenu ou ramené à 2 000 tr/min.

Si le système d'alarme de l'eau de refroidissement se déclenche pendant la marche, réduire immédiatement le régime moteur et vérifier que de l'eau est bien refoulée par le trou d'eau pilote. Si ce n'est pas le cas, procéder de la manière suivante.

Si la mer et le vent le permettent, couper le moteur, le basculer hors de l'eau et nettoyer tout débris du type algues, sacs en plastique ou sable qui risquent d'obstruer les prises d'eau. Redescendre le moteur dans l'eau, vérifier que les prises d'eau sont sous l'eau et redémarrer le moteur.

Vérifier (A) que l'eau refoule par le trou pilote et (B) que le témoin d'alarme n'est plus allumé. Noter qu'il est possible que le témoin d'alarme s'allume de nouveau si la température du moteur s'élève de manière anormale. Dans un cas comme dans l'autre, voir le plus vite possible un concessionnaire marine Suzuki.

NOTE:

Si le refoulement de l'eau par le trou pilote est insuffisant, le témoin va rester allumé (et le vibreur en fonction) jusqu'à ce que la température du moteur diminue. Laisser le moteur tourner au POINT MORT jusqu'à ce que les indications d'alarme disparaissent.

AVIS

Le fait d'utiliser en permanence votre moteur hors-bord avec le système d'alarme d'eau de refroidissement risque d'endommager sérieusement le moteur hors-bord.

Si le système d'alarme d'eau de refroidissement se déclenche, arrêter le moteur le plus vite possible, si la mer et le vent le permettent, et inspecter le moteur selon les instructions ci-dessus. Consulter le concessionnaire de moteurs hors-bord agréé Suzuki si le problème ne peut pas être rectifié.

NOTE:

Si le moteur est mis en fonction en-dessous de la position d'assiette, les prises d'eau risquent de se trouver hors de l'eau. Le cas échéant, le système d'alarme de l'eau de refroidissement va se déclencher.

UTILISATION DU SYSTEME DE RELEVAGE

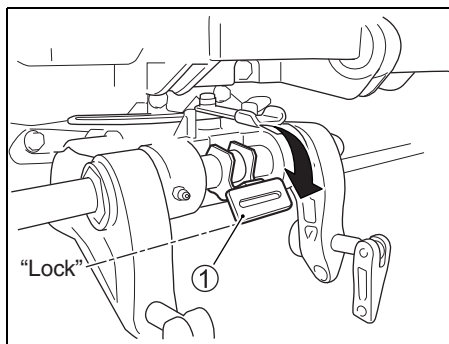
LEVIER DE VERROUILLAGE D'INCLINAISON

Le levier de verrouillage d'inclinaison ① a deux positions.

Position de blocage ("LOCK")

Utiliser cette position chaque fois qu'on utilise le moteur en marche arrière ("REVERSE") et chaque fois qu'on l'utilise en eau profonde, où on ne pense pas recontrer d'objets immergés.

La mise du levier de verrouillage d'inclinaison sur la position de blocage ("LOCK") empêche le moteur de sortir de l'eau du fait des forces telles que la poussée de l'hélice lors de l'utilisation en marche arrière "REVERSE", ou lors des décélération brusques.



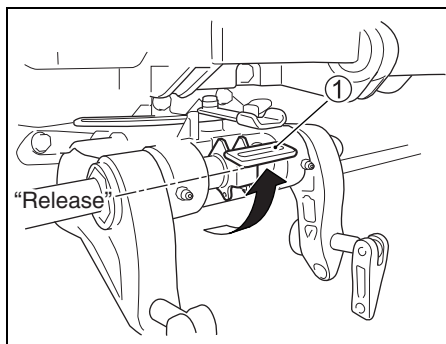
AVIS

Si vous heurtez un objet sous l'eau avec le levier de verrouillage d'inclinaison sur la position de blocage "LOCK", le moteur hors-bord ou le bateau risque d'être endommagé.

Quand le moteur est utilisé dans un endroit à risque de heurter des objets sous l'eau, mettre le levier de verrouillage d'inclinaison sur la position de déblocage "RELEASE" et utiliser le moteur seulement à très petite vitesse.

Position de déblocage ("RELEASE")

Utiliser cette position chaque fois qu'on utilise le moteur en marche avant ("FORWARD") en eau peu profonde. La mise du levier de verrouillage d'inclinaison sur cette position permet au moteur de se relever si on heurte un objet immergé, réduisant ainsi les risques d'endommagement. Pour les détails concernant l'utilisation en eau peu profonde, se reporter à la section UTILISATION EN EAU PEU PROFONDE.



▲ AVERTISSEMENT

Quand le moteur est utilisé avec le levier de verrouillage d'inclinaison sur la position de déblocage "Release", le dispositif de verrouillage d'inclinaison ne fonctionne pas. Par conséquent, la force développée par la poussée de l'hélice pendant une MARCHE ARRIERE, une brusque décélération ou un choc résultant de la rencontre avec un objet sous l'eau, peut entraîner un basculement du moteur hors de l'eau et des blessures corporelles.

Quand le levier de verrouillage d'inclinaison est sur la position de déblocage "Release", avancer avec précautions et seulement à très petite vitesse.

BRAS DE VERROUILLAGE DE RELEVAGE

Le bras de verrouillage de relevage est utilisé pour bloquer le moteur en position de relevage maximal.

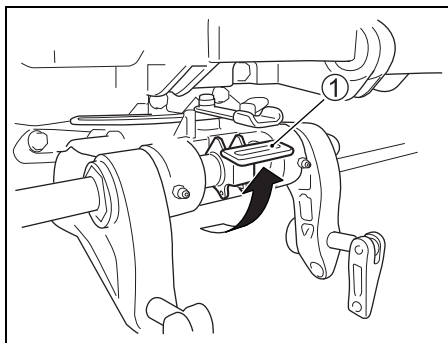
▲ AVERTISSEMENT

Si vous placez vos mains près du support de fixation ou sous le moteur lors de l'opération de levage, vos mains risquent d'être écrasées au cas où le moteur glisserait.

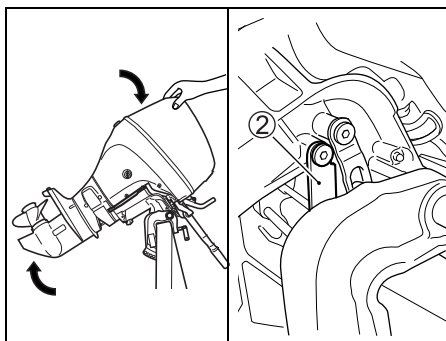
Ne jamais poser les mains près du support de fixation ou sous le moteur lors de l'opération de levage.

Pour bloquer le moteur sur la position haute maximum:

1. Mettre l'inversion au point mort "NEUTRAL".
2. Mettre le levier ① de verrouillage d'inclinaison sur la position "RELEASE".



3. Saisir la poignée située à l'arrière du capot du moteur et relever le moteur au maximum jusqu'à ce qu'il soit bloqué automatiquement en position de relevage maximal par le bras de verrouillage de relevage ②.



AVIS

Si vous utilisez la poignée de commande des gaz pour relever ou baisser le moteur, elle pourrait se casser.

Ne jamais utiliser la poignée de commande des gaz pour relever ou baisser le moteur.

▲ AVERTISSEMENT

Si vous ne prenez pas les précautions adéquates pendant le levage du moteur, le carburant risque de s'échapper.

Pour les moteurs avec un réservoir séparé, déconnecter la conduite d'alimentation chaque fois qu'on laisse le moteur relevé pendant longtemps.

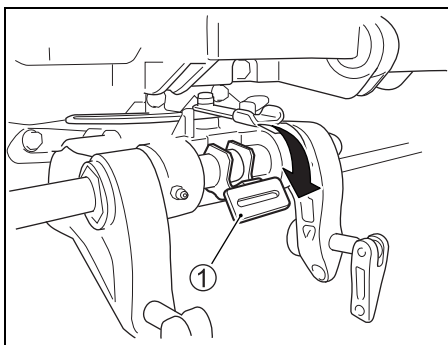
AVIS

Si vous utilisez le bras de verrouillage pour retenir le moteur en position relevée pour le remorquage, le bras de verrouillage peut se décrocher et endommager le moteur.

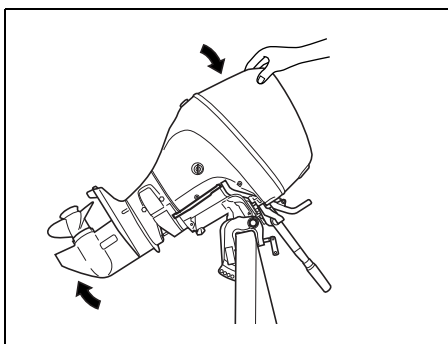
Pour remorquer votre bateau, ne jamais utiliser le bras de verrouillage pour retenir le moteur en position relevée.

Pour rabaisser le moteur:

1. Mettre le levier de blocage d'inclinaison ① sur la position de blocage.



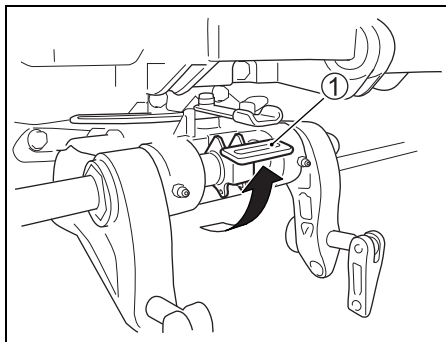
2. Tirer légèrement le moteur vers soi et abaisser lentement le moteur.



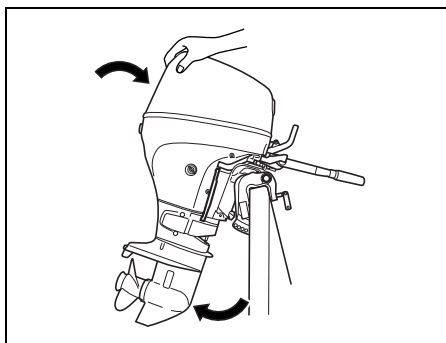
POSITION DE NAVIGATION EN EAU PEU PROFONDE

Pour enclencher le moteur à la position de navigation en eau peu profonde:

1. Mettre l'inversion au point mort "NEUTRAL".
2. Mettre le levier ① de verrouillage d'inclinaison sur la position "RELEASE".



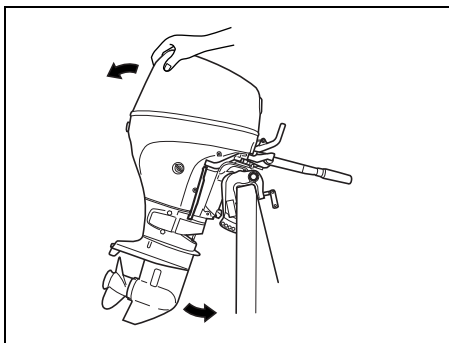
3. Relever le moteur lentement jusqu'à ce qu'il émette un déclic.



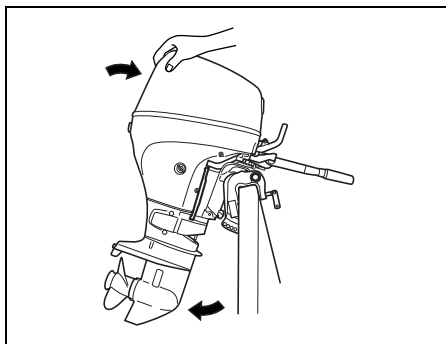
4. Baisser le moteur lentement. Il s'arrêtera à une position légèrement plus haute que celle de l'angle d'inclinaison normal.

NOTE:

Il y a deux positions pour le levier de navigation en eau peu profonde. Utiliser celle qui convient le mieux à la profondeur de l'eau.



2. Tirer légèrement le moteur vers soi et abaisser lentement le moteur.



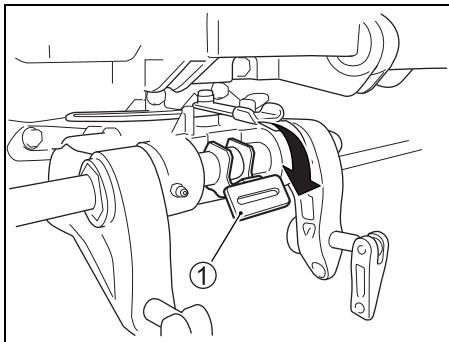
▲ AVERTISSEMENT

En position eaux peu profondes, le verrouillage de basculement ne fonctionne pas. Par conséquent, la force développée par la poussée de l'hélice en "MARCHE ARRIERE", une brusque décélération ou un choc résultant de la rencontre avec un objet sous l'eau, peut entraîner un basculement du moteur hors de l'eau et des blessures corporelles.

Quand la position en eaux peu profondes est utilisée, prendre toutes les précautions nécessaires et n'opérer qu'à petite vitesse.

Pour rabaisser le moteur:

1. Mettre le levier de blocage d'inclinaison ① sur la position de blocage.



CONTROLE AVANT L'UTILISATION

▲ AVERTISSEMENT

Tout manquement à contrôler votre bateau et le moteur avant le départ peut être dangereux.

Avant le départ, toujours effectuer les contrôles décrits dans cette section.

Vérifier que le bateau et le moteur sont en bon état de marche et que tout est prêt en cas d'urgence.

Toujours procéder aux contrôles suivants avant de partir :

- S'assurer que l'on a assez de carburant pour la navigation prévue.
- Vérifier le niveau d'huile-moteur dans le carter d'huile.

AVIS

Faire tourner le moteur avec une quantité insuffisante d'huile risque d'endommager sérieusement le moteur.

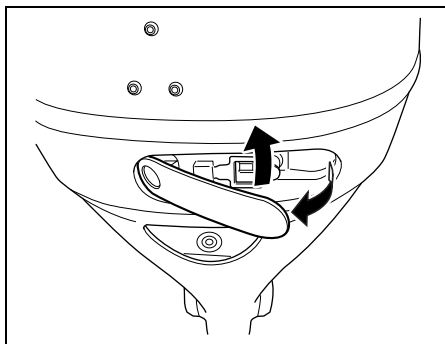
Toujours vérifier le niveau d'huile avant chaque sortie et faire l'appoint d'huile si nécessaire.

Pour vérifier le niveau d'huile:

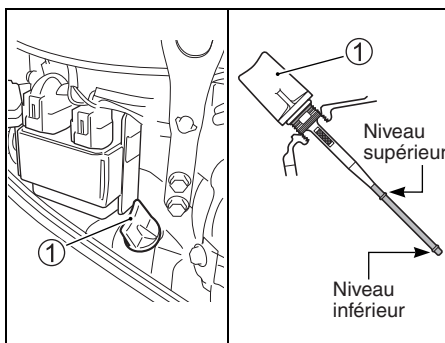
NOTE:

Pour vérifier le niveau correctement, attendre que le moteur soit froid.

1. Relever le moteur à la verticale et enlever le capot.



2. Enlever le bouchon de remplissage (jauge) ① et essuyer avec un chiffon propre.
3. Pour vérifier le niveau d'huile, les filetages du goulot de remplissage doivent être en contact avec le bord du bouchon de ce goulot de remplissage comme illustré. Ne pas visser le bouchon en place.



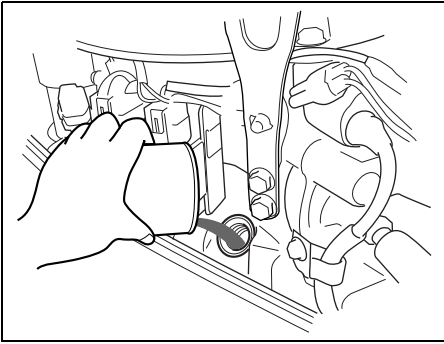
NOTE:

Si l'huile est contaminée ou décolorée, la remplacer par de l'huile-moteur fraîche (se référer à la section inspection et entretien du moteur).

Le niveau correct est entre les marques de niveau supérieur et de niveau inférieur sur la pige de jauge. Si le niveau est proche de la marque de niveau inférieur, faire l'appoint jusqu'à la marque de niveau supérieur.

Pour faire le plein d'huile:

1. Enlever le bouchon de remplissage.
2. Faire le plein avec l'huile recommandée, au niveau approprié.



AVIS

Faire tourner le moteur avec une quantité excessive d'huile risque d'endommager le moteur.

Ne pas trop remplir le moteur d'huile.

3. Resserrer à fond le bouchon de remplissage.

- **Vérifier le niveau de la solution de la batterie.**

Le niveau devra être entre les marques MAX et MIN en permanence. Si le niveau tombe au-dessous de la marque MIN, se référer à la section ENTRETIEN.

- **Vérifier que les câbles sont soigneusement raccordés aux plots de la batterie.**
- **Contrôler l'hélice visuellement pour s'assurer qu'elle n'est pas endommagée.**
- **S'assurer que le moteur est solidement fixé au tableau arrière.**
- **S'assurer que la broche d'inclinaison est solidement montée à la position correcte.**
- **S'assurer que la corde du lanceur à rappel n'est pas usée ou effilochée. (Modèle à démarreur à retour automatique)**
- **S'assurer que l'on dispose de l'équipement de sécurité et de secours nécessaire à bord.**

RODAGE

Une utilisation correcte pendant cette période de rodage contribuera à assurer la longévité maximale et les performances optimales de votre moteur. Les directives suivantes expliquent les procédures de rodage correctes.

AVIS

Le non-respect des procédures de rodage décrites ci-dessous peut entraîner un grave endommagement du moteur.

Veiller à observer les procédures de rodage du moteur décrites ci-dessous.

Période de rodage: 10 heures

Procédure de rodage

1. Pour les premières deux heures de rodage:
Laisser tourner le moteur au ralenti (environ cinq minutes) pour le réchauffer, après le démarrage à froid.

AVIS

Faire tourner le moteur trop vite sans le réchauffer suffisamment peut endommager sérieusement le moteur, tel que grippage des pistons.

Toujours réchauffer le moteur suffisamment au ralenti (5 minutes) avant de monter le régime.

Après le réchauffage, faire tourner le moteur au ralenti ou au plus bas régime possible en prise pendant environ 15 minutes.

Pendant l'heure et 45 minutes restantes, utiliser le moteur en prise à moins de la moitié (1/2) (3000 tr/min.) de l'accélération maximale, si les conditions de navigation sont sûres et permettent une telle utilisation.

NOTE:

Il est possible d'accélérer au-delà du régime de service recommandé pour remettre le bateau d'aplomb, avant de réduire immédiatement le régime.

2. Heure suivante:

Si les conditions le permettent, faire tourner le moteur à 4000 tr/min. ou au 3/4 de la position maximum du papillon des gaz. Eviter de faire tourner le moteur au régime maximum.

3. Sept heures restantes:

Utiliser le moteur en prise au régime souhaité, si les conditions de navigation sont sûres et permettent une telle utilisation. Il est possible d'accélérer au maximum de temps à autre, mais dans ce cas, ne jamais dépasser cinq minutes d'accélération continue.

AVIS

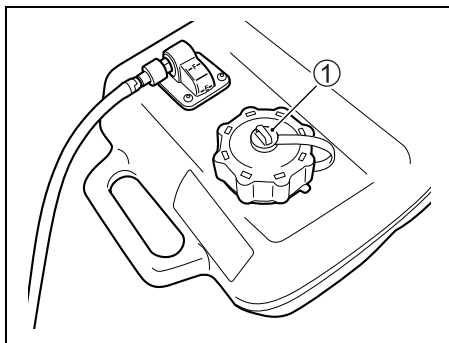
Faire tourner le moteur pleins gaz pendant plus de 5 minutes de façon continue pendant les 7 dernières heures du rodage risque d'endommager sérieusement le moteur, tel que grippage des pistons.

Pendant les dernières 7 heures du rodage, ne pas faire tourner le moteur pleins gaz pendant plus de 5 minutes à la fois.

UTILISATION

AVANT D'ESSAYER DE METTRE LE MOTEUR EN MARCHÉ

1. Le moteur a été abaissé dans l'eau.
2. Si le bouchon du réservoir de carburant est pourvu d'une purge d'air, dévisser à fond la vis de purge d'air ① se trouvant sur le bouchon du réservoir par rotation dans le sens contraire au sens horloger pour ouvrir l'évent d'air.



▲ AVERTISSEMENT

Quand le flexible de carburant est raccordé au réservoir de carburant portable ou au moteur, le carburant risque de se trouver sous haute pression et de gicler autour du point de raccordement, présentant ainsi un risque de blessures graves.

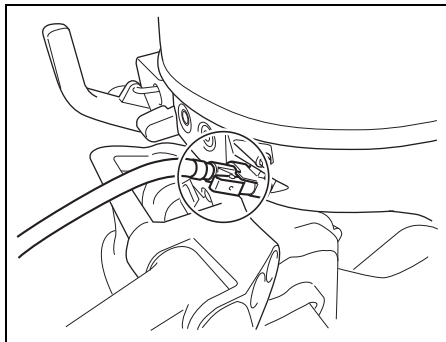
Avant de raccorder le flexible de carburant, desserrer et resserrer une fois le bouchon du réservoir de carburant pour détendre la pression du carburant dans ce réservoir.

Pour la manutention du bouchon du réservoir de carburant, voir la section "CARBURANT ET HUILE/PLEIN DU RÉSERVOIR DE CARBURANT" dans ce manuel.

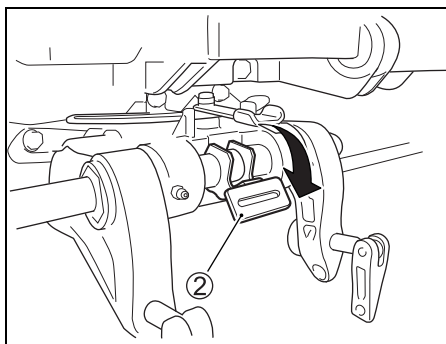
NOTE:

Les réservoirs de carburant portables SUZUKI d'origine sont pourvus d'un évent d'air semi-automatique.

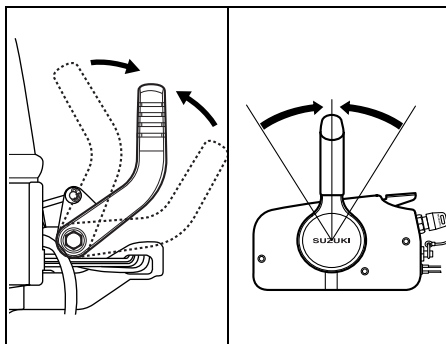
3. La conduite d'alimentation est solidement connectée au réservoir de carburant et au moteur.



4. Mettre le levier de verrouillage d'inclinaison ② sur la position de relevage.



5. Mettre l'inversion au point mort "NEUTRAL".

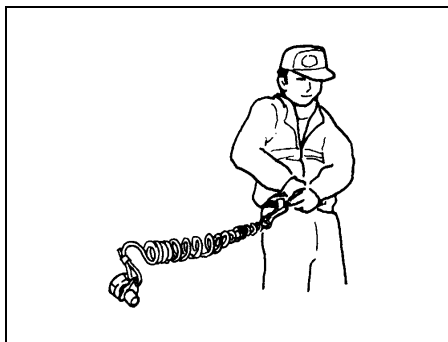
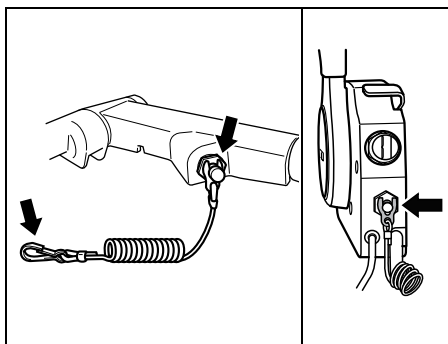


AVIS

Quand le moteur est en prise, le démarreur à retour automatique et le démarreur électrique ne peuvent pas être utilisés et toute tentative risque de détériorer le démarreur à retour automatique.

S'assurer que le moteur est au "POINT MORT" avant de tirer sur la corde du démarreur à retour automatique.

6. Vérifier que la plaque de verrouillage est en place et que l'extrémité de la corde du coupe-circuit de sécurité est attachée au poignet ou à un article vestimentaire approprié comme une ceinture.



▲ AVERTISSEMENT

Si le cordon du contacteur d'arrêt d'urgence n'est pas soigneusement attaché ou si les précautions nécessaires ne sont pas prises pour s'assurer que le contacteur d'arrêt d'urgence fonctionne normalement, risque de blessures graves ou de mort pour l'opérateur ou les passagers.

Toujours prendre les précautions suivantes:

- S'assurer que le cordon du contacteur d'arrêt d'urgence est soigneusement fixé au poignet de l'opérateur ou à un endroit approprié (comme la ceinture, par exemple).
- Vérifier que rien ne peut empêcher ou restreindre le fonctionnement du contacteur d'arrêt d'urgence.
- Éviter de tirer sur le cordon du contacteur d'arrêt d'urgence ou d'enlever la plaque de verrouillage pendant une marche normale. Le moteur va s'arrêter brusquement et avec l'interruption du mouvement de marche avant, les passagers risquent d'être jetés par-dessus bord.

NOTE:

Une plaque de verrouillage en plastique est fournie pour un usage provisoire uniquement. L'enlever du cordon et la ranger dans un endroit sûr sur le bateau. Toutefois, remettre le cordon et la plaque de verrouillage originaux en place dès que possible.

MISE EN MARCHÉ DU MOTEUR

▲ AVERTISSEMENT

Les gaz d'échappement contiennent du monoxyde de carbone, un gaz incolore et inodore difficile à détecter. Ce gaz peut entraîner la mort ou des blessures graves.

Ne jamais lancer le moteur ou le faire tourner dans un endroit clos ou dans un endroit non ou faiblement aéré.

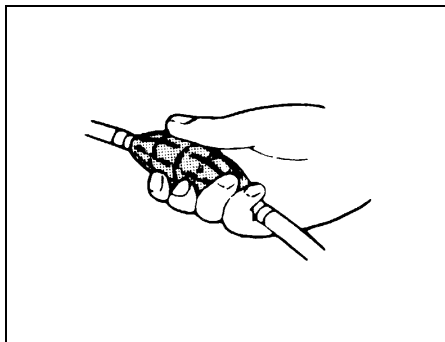
NOTE:

- Ne pas ouvrir et fermer la poignée des gaz de façon répétée avant de mettre le moteur en marche. Ce moteur hors bord est doté d'une pompe de reprise. Dans ce cas, la pompe de reprise refoule davantage de carburant dans le moteur et ceci produit un mélange trop riche pour le démarrage du moteur.
- Si le moteur ne démarre pas, vérifier la plaque de verrouillage du coupe-circuit de sécurité. Si la plaque n'est pas correctement positionnée, le moteur ne démarre pas.
- Le démarreur fonctionne même si la plaque de verrouillage n'est pas en position; cependant, le moteur ne pourra pas démarrer.

Lancer le moteur en procédant à l'aide de l'une des méthodes décrites ci-après.

MODÈLE À BARRE DE DIRECTION

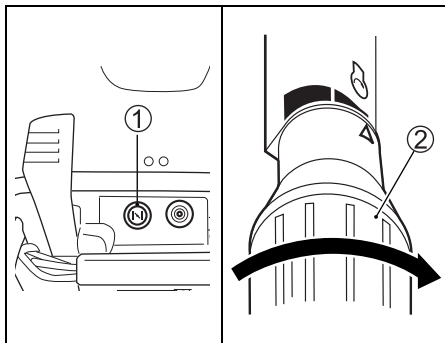
1. Presser la poire d'amorçage de la conduite d'alimentation à plusieurs reprises, jusqu'à ce qu'une résistance soit sentie.



NOTE:

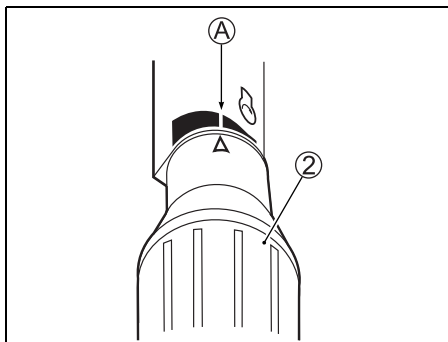
Ne pas presser la poire d'amorçage lorsque le moteur tourne, cela pourrait faire déborder le carburateur.

2. Si le moteur est froid:
Tirer le bouton de starter ① au maximum. Vérifier que la poignée de commande des gaz ② est en position entièrement fermée.



Si le moteur est chaud:

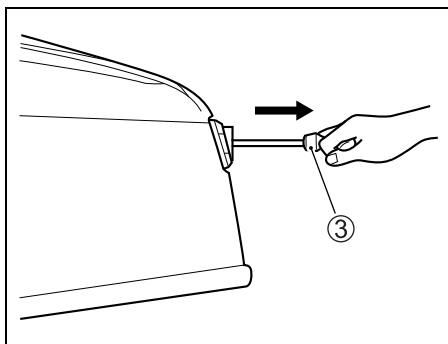
Aligner la flèche de la poignée de commande des gaz ② avec la position de démarrage ①. Ne pas utiliser le starter.



NOTE:

Pour le redémarrage d'un moteur chaud, le recours au starter peut s'avérer nécessaire. Si le moteur ne démarre immédiatement quand il est chaud, procéder comme pour un démarrage à froid.

3. Bien saisir la corde du démarreur ③ et la tirer lentement jusqu'à ce qu'on sente que le démarreur se met en prise. Quand le démarreur est en prise, tirer la corde énergique pour mettre le moteur en marche. Ne pas relâcher la corde. La tenir et la laisser se réenrouler lentement.



AVIS

Si vous tirez sur la poignée du démarreur quand le moteur tourne, le système de démarrage risque d'être détérioré.

Ne jamais tirer sur la poignée du démarreur quand le moteur tourne.

4. Après la mise en marche, utiliser la poignée de commande des gaz pour faire tourner le moteur au ralenti.

AVIS

Le fait de continuer à utiliser votre moteur hors-bord avec le système de signalisation activé peut entraîner une grave détérioration de votre moteur hors-bord.

Si le témoin reste allumé après le démarrage du moteur, vérifier le niveau d'huile-moteur et faire l'appoint d'huile si nécessaire. Si le niveau d'huile est correct, consulter votre concessionnaire agréé Suzuki.

5. Repousser le bouton de starter.

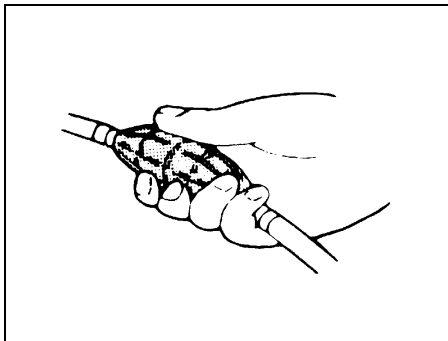
NOTE:

Par temps froid, il peut s'avérer nécessaire de laisser le bouton de starter en position sortie pendant plus longtemps pour permettre au moteur de chauffer.

6. Faire chauffer le moteur pendant environ cinq minutes.

MODÈLE À DÉMARREUR ÉLECTRIQUE

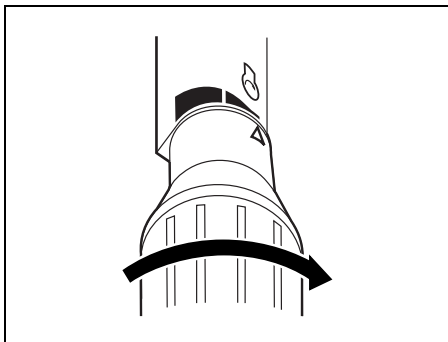
1. Presser la poire d'amorçage de la conduite d'alimentation à plusieurs reprises, jusqu'à ce qu'une résistance soit sentie.



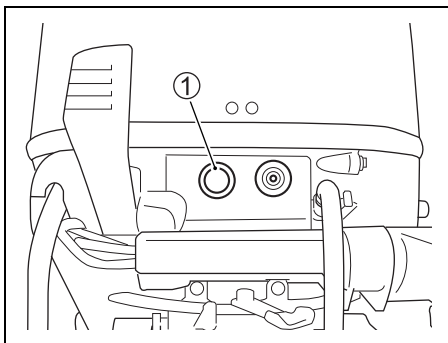
NOTE:

Ne pas presser la poire d'amorçage lorsque le moteur tourne, cela pourrait faire déborder le carburateur.

2. Vérifier que la poignée de commande des gaz ② est en position entièrement fermée.



3. Appuyer sur le bouton de démarreur ①.



AVIS

Si vous appuyez sur le bouton du démarreur pendant plus de 5 secondes, le système de démarrage risque d'être détérioré.

Ne jamais appuyer sur le bouton du démarreur pendant plus de 5 secondes.

AVIS

Si vous appuyez sur le bouton du démarreur quand le moteur tourne, le système de démarrage risque d'être détérioré.

Ne jamais appuyer sur le bouton du démarreur quand le moteur tourne.

NOTE:

Si le moteur ne se met pas en marche au bout de 5 secondes, attendre une dizaine de secondes puis effectuer un nouvel essai.

4. Après la mise en marche, utiliser la poignée de commande des gaz pour faire tourner le moteur au ralenti.

AVIS

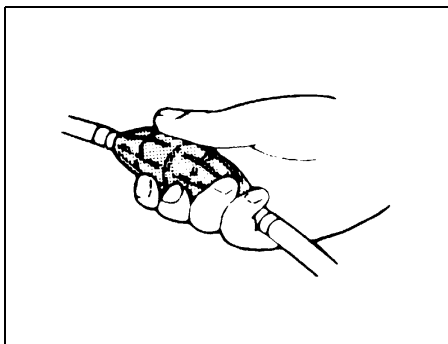
Le fait de continuer à utiliser votre moteur hors-bord avec le système de signalisation activé peut entraîner une grave détérioration de votre moteur hors-bord.

Si le témoin reste allumé après le démarrage du moteur, vérifier le niveau d'huile-moteur et faire l'appoint d'huile si nécessaire. Si le niveau d'huile est correct, consulter votre concessionnaire agréé Suzuki.

5. Faire chauffer le moteur pendant environ cinq minutes.

MODÈLE À COMMANDE À DISTANCE

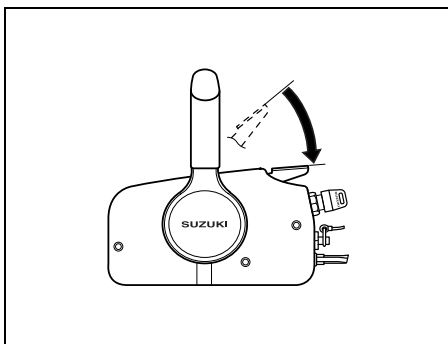
1. Presser la poire d'amorçage de la conduite d'alimentation à plusieurs reprises, jusqu'à ce qu'une résistance soit sentie.



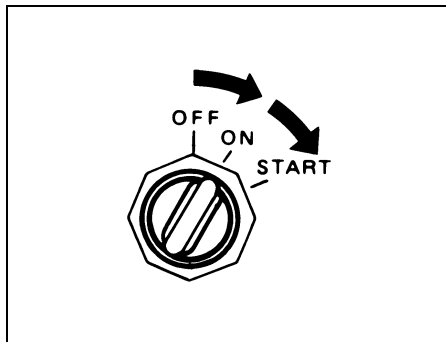
NOTE:

Presser la poire d'amorçage de la conduite d'alimentation à plusieurs reprises, jusqu'à ce qu'une résistance soit sentie.

2. Amener le levier de réchauffage en position de fermeture complète.



3. Mettre la clé de contact sur la position "ON".
4. Mettre la clé de contact sur la position "START".



AVIS

Si vous tournez la clé de contact sur la position "START" pendant plus de 5 secondes, le système de démarrage risque d'être détérioré.

Ne jamais tourner la clé de contact sur la position "START" pendant plus de 5 secondes.

AVIS

Ne jamais placer le contacteur d'allumage sur "START" lorsque le moteur tourne afin de ne pas endommager le système de démarrage électrique.

Si la clé de contact est mise en position "START" quand le moteur tourne, le démarreur risque d'être détérioré.

NOTE:

Si le moteur ne se met pas en marche au bout de 5 secondes, attendre une dizaine de secondes puis effectuer un nouvel essai.

5. Quand le moteur est en marche, le laisser chauffer jusqu'à stabilisation du régime de ralenti.

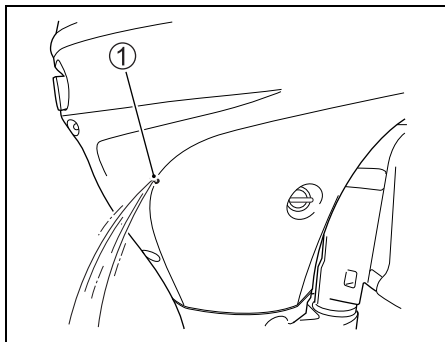
AVIS

Le fait de continuer à utiliser votre moteur hors-bord avec le système de signalisation activé peut entraîner une grave détérioration de votre moteur hors-bord.

Si le témoin reste allumé après le démarrage du moteur, vérifier le niveau d'huile-moteur et faire l'appoint d'huile si nécessaire. Si le niveau d'huile est correct, consulter votre concessionnaire agréé Suzuki.

Contrôle de l'eau de refroidissement

Dès que le moteur se met en marche, de l'eau doit être refoulée par le trou témoin ①, signifiant que la pompe à eau et le système de refroidissement fonctionnent correctement. Si l'on remarque que l'eau ne jaillit pas par le trou témoin, arrêter le moteur le plus tôt possible et consulter un distributeur de moteurs hors-bord Suzuki.



AVIS

Ne jamais utiliser le moteur hors-bord quand il ne sort pas d'eau par le trou témoin ; un grave endommagement pourrait se produire.

Après avoir démarré le moteur, s'assurer que l'eau sort du trou témoin.

▲ AVERTISSEMENT

Utiliser le bateau quand le contacteur d'arrêt d'urgence ne fonctionne pas correctement peut être dangereux.

Avant de partir, s'assurer que le contacteur d'arrêt d'urgence fonctionne correctement.

MISE EN MARCHÉ DE SECOURS

Si le moteur doit être mis en marche mais que cette opération s'avère impossible en raison d'une défaillance du démarreur ou d'une batterie déchargée, procéder à l'aide du système de secours.

⚠ AVERTISSEMENT

Si vous touchez les parties électriques en faisant démarrer le moteur avec le cordon du démarreur, vous risquez de recevoir une décharge électrique importante.

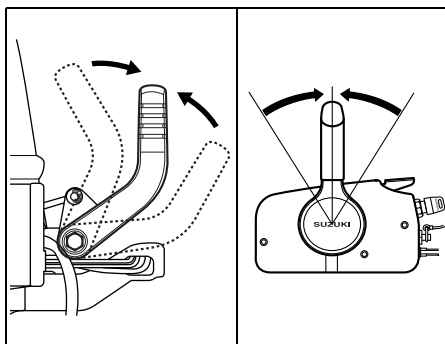
Pour démarrer le moteur avec le cordon du démarreur, veiller à ne pas toucher les parties électriques comme la bobine d'allumage ou les câbles de bougie.

1. Vérifier que le moteur est au "Point mort" et que la plaque de verrouillage du contacteur d'arrêt d'urgence n'est pas en place.

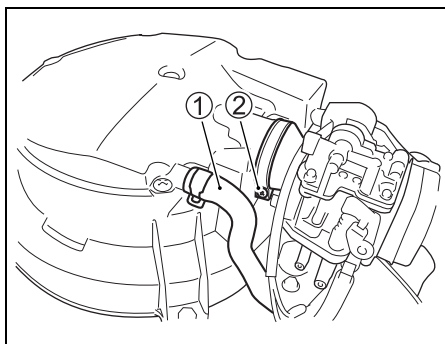
⚠ AVERTISSEMENT

Quand vous utilisez la procédure de démarrage d'urgence, le système de protection contre une mise en marche en prise ne fonctionne pas. Si le levier d'inversion n'est pas sur la position "NEUTRAL", le bateau risque de démarrer inopinément lorsque le moteur est mis en marche, risquant de jeter les passagers par-dessus bord ou de causer un accident.

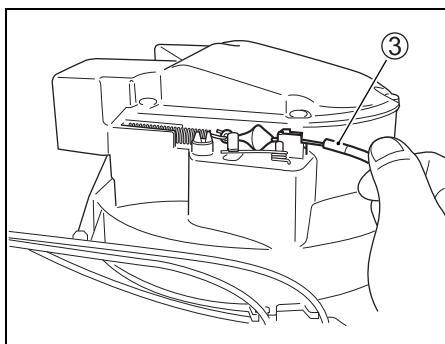
S'assurer que le levier d'inversion est sur la position "NEUTRAL" avant de tenter de faire démarrer le moteur par la procédure de démarrage d'urgence.



2. Déposer le couvercle du moteur.
3. Débrancher le boyau de reniflard (1) du couvercle du silencieux. Desserrer la vis de fixation du tube de sortie (2).

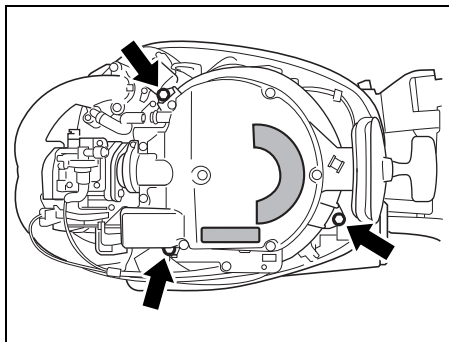


4. Modèle à démarreur à retour automatique: Déposer le câble NSI (3) du lanceur à rappel.



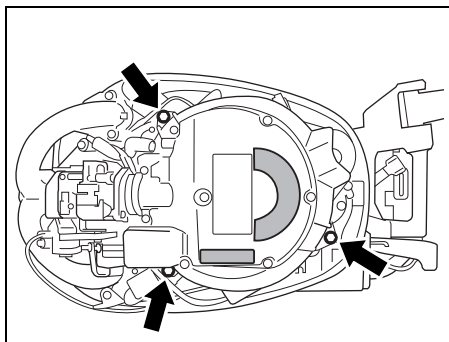
Déposer les trois boulons fixant le lanceur à rappel (avec le couvercle du silencieux) en place.

Lever le lanceur à rappel (avec le couvercle du silencieux).

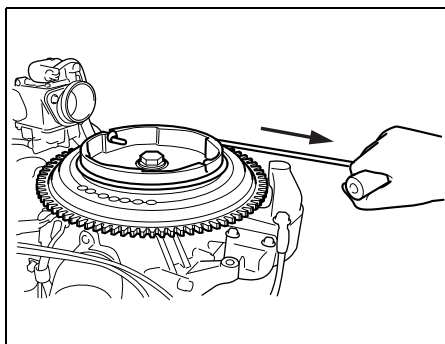


Modèle à démarreur électrique:

Déposer les trois boulons fixant le couvercle du volant moteur (avec le couvercle du silencieux) en place.



5. Faire un noeud à une extrémité de la corde de secours, située dans la trousse à outils. Attacher l'autre extrémité autour de la poignée de tournevis, située dans la trousse à outils.
6. Accrocher l'extrémité portant le noeud de la corde à l'encoche de la poulie puis enrouler la corde vers la droite autour de cette poulie.
7. Remettre la plaque de verrouillage du coupe-circuit de sécurité en place.
8. Modèle à commande à distance:
Mettre la clé de contact sur la position "ON".
9. Après avoir suivi les étapes de la mise en marche normale, tirer sur la corde du lanceur d'un coup sec pour démarrer le moteur. Si le moteur ne démarre pas, recommencer.



▲ AVERTISSEMENT

Si vous tentez de remonter l'ensemble démarreur à retour automatique ou le capot du moteur après avoir mis en marche le moteur, risque de blessure.

Ne pas tenter de remonter l'ensemble démarreur à retour automatique ou le capot du moteur après avoir mis en marche le moteur.

▲ AVERTISSEMENT

Quand le moteur tourne, de nombreuses pièces tournantes présentent un risque de blessures graves.

Quand le moteur tourne, éloigner les mains, les cheveux, les vêtements, etc. du moteur.

NOTE:

Veiller à faire réparer le système de démarrage le plus tôt possible. Ne pas continuer à utiliser la procédure de démarrage d'urgence en temps normal.

INVERSION DE MARCHÉ ET COMMANDE DE LA VITESSE

AVIS

Le moteur risque d'être sérieusement endommagé si (a) le régime du moteur ne revient pas au ralenti et si la vitesse du bateau n'est pas réduite en passant de la "MARCHE AVANT" à la "MARCHE ARRIERE" ou de la "MARCHE ARRIERE" à la "MARCHE AVANT", ou (b) si les précautions nécessaires ne sont pas prises en passant en marche arrière.

Toujours laisser le régime du moteur revenir au ralenti avant de changer la marche. Faire attention et avancer lentement quand le bateau est en marche arrière. S'assurer que la barre/levier d'inversion est sur la bonne position avant d'accélérer.

AVIS

Si vous changez de vitesse quand le moteur ne tourne pas, vous risquez de détériorer le système de changement de vitesses.

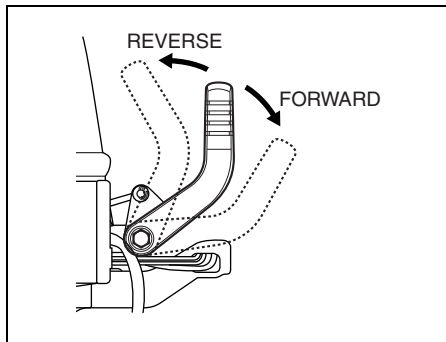
Eviter de changer de vitesse quand le moteur ne tourne pas.

MODÈLE À BARRE DE DIRECTION

Shifting

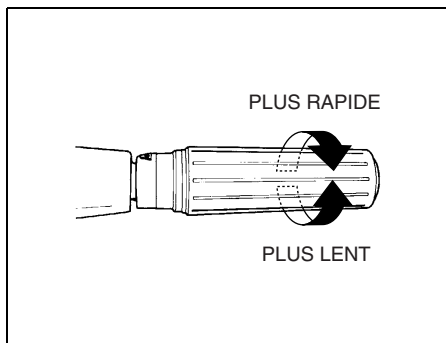
Pour passer en marche avant ("FORWARD"), mettre la poignée de commande des gaz sur la position de ralenti et tirer fermement le levier d'inversion vers soi.

Pour passer en marche arrière ("REVERSE"), mettre la poignée de commande des gaz sur la position de ralenti et pousser fermement le levier d'inversion.



Commande de la vitesse

Après l'inversion de marche, commander la vitesse du moteur en tournant la poignée de commande des gaz. mande des gaz.



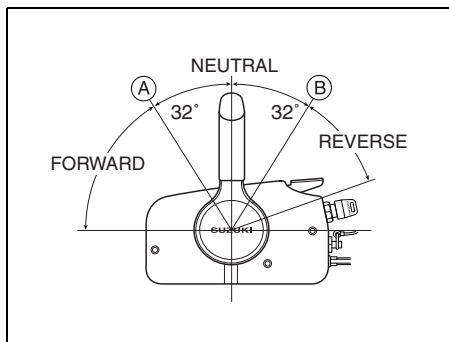
MODÈLE À COMMANDE À DISTANCE

Inversion de marche

Pour passer en marche avant "FORWARD", appuyer sur le levier de verrouillage situé sur la poignée de commande puis déplacer le levier de commande vers l'avant jusqu'à environ la position (A), comme illustré.

Pour passer en marche arrière "REVERSE", appuyer sur le levier de verrouillage situé sur la poignée de commande puis déplacer le levier de commande vers l'arrière jusqu'à environ la position (B), comme illustré.

Toutes les boîtiers de commande Suzuki sont pourvus d'une détente ou d'un cliquet pour permettre de mieux "sentir" les positions (A), (B) et point mort. Pour éviter toute usure anormale des pignons et de la surface d'engagement de l'embrayage, toujours effectuer le passage du point mort à la position (A) ou (B) en procédant rapidement et sans hésiter.



Commande de la vitesse

Pour accélérer une fois que l'on a passé la marche avant ou la marche arrière, continuer de déplacer le levier de commande vers l'avant ou vers l'arrière.

▲ AVERTISSEMENT

Comme la même poignée sert au passage des vitesses et à la commande de la vitesse, il est possible que la poignée dépasse la détente et ouvre la commande des gaz. Ceci risque de faire avancer brusquement le bateau et risque de causer des blessures ou un accident.

Prendre toutes les précautions nécessaires en utilisant la poignée de commande, afin de ne pas la pousser trop en avant ou trop en arrière pendant le changement de vitesse.

ARRÊT DU MOTEUR

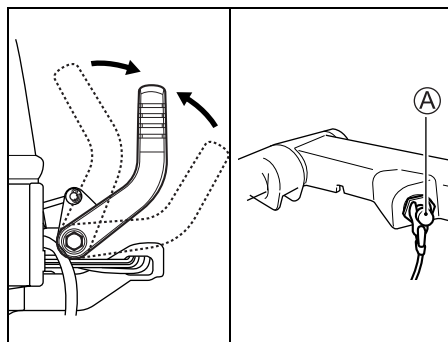
NOTE:

Quand il est nécessaire d'arrêter le moteur en cas d'urgence, tirer sur la plaque de verrouillage du contacteur d'arrêt d'urgence et tirer sur la corde du contacteur d'arrêt d'urgence pour le faire sortir.

MODÈLE À BARRE DE DIRECTION

Pour arrêter le moteur:

1. Mettre la poignée de commande des gaz au ralenti.
2. Mettre au "POINT MORT".
3. Après avoir utilisé le moteur à plein régime, laisser refroidir le moteur pendant quelques minutes au ralenti ou en le faisant avancer à faible vitesse.
4. Tirer et retenir le bouton d'arrêt (A) jusqu'à l'arrêt du moteur.



5. Après avoir arrêté le moteur, déconnecter le raccord de carburant du moteur hors-bord.

▲ AVERTISSEMENT

Si vous laissez le moteur à l'arrêt pendant une période prolongée avec la conduite de carburant connectée, le carburant risque de fuir.

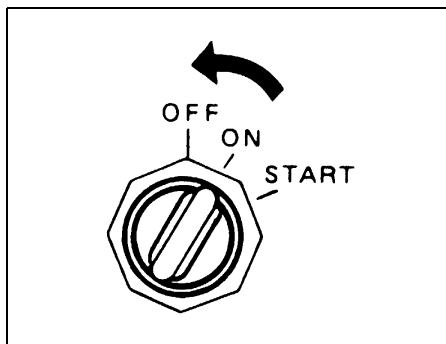
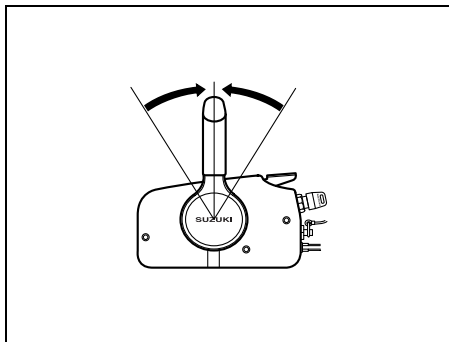
Déconnecter la conduite de carburant du réservoir de carburant, si celle-ci est équipée d'un raccord, à chaque fois que le moteur est arrêté pendant une période prolongée.

6. Tourner la vis de réglage d'air sur le capuchon du réservoir de carburant pour fermer l'évent.

MODÈLE À COMMANDE À DISTANCE

Pour arrêter le moteur:

1. Mettre au "POINT MORT".
2. Après avoir utilisé le moteur à plein régime, laisser refroidir le moteur pendant quelques minutes au ralenti ou en le faisant avancer à faible vitesse.
3. Mettre la clé de contact sur la position "OFF". Toujours laisser la clé de contact sur la position "OFF" quand le moteur ne tourne pas, ou la batterie risque de se décharger.



4. Après avoir arrêté le moteur, déconnecter la conduite de carburant du moteur hors-bord si un raccord de conduite de carburant est prévu.

▲ AVERTISSEMENT

Si vous laissez le moteur à l'arrêt pendant une période prolongée avec la conduite de carburant connectée, le carburant risque de fuir.

Déconnecter la conduite de carburant du réservoir de carburant, si celle-ci est équipée d'un raccord, à chaque fois que le moteur est arrêté pendant une période prolongée.

5. Tourner la vis de réglage d'air sur le capuchon du réservoir de carburant pour fermer l'évent.

▲ AVERTISSEMENT

L'utilisation de votre bateau sans autorisation peut avoir pour conséquences un accident ou l'endommagement de votre bateau.

Pour éviter l'utilisation sans votre autorisation de votre bateau, toujours retirer la clé de contact et la plaque de verrouillage d'arrêt d'urgence quand le bateau n'est pas surveillé.

NOTE:

Pour vérifier le bon fonctionnement du coupe-circuit de sécurité, arrêter de temps à autre le moteur alors qu'il tourne au ralenti en enlevant la plaque de verrouillage.

AMARRAGE

Le moteur doit être relevé avant d'amarrer le bateau en eau peu profonde ou lorsque le bateau n'est pas utilisé pendant une période prolongée, afin de le protéger de la corrosion ou des obstacles pouvant surgir à marée basse.

Pour les détails concernant la manière de relever de moteur, se reporter à la section BRAS DE VERROUILLAGE DE RELEVAGE.

▲ AVERTISSEMENT

Si vous laissez le moteur relevé pendant une durée prolongée avec la canalisation de carburant connectée, le carburant risque de fuir.

Déconnecter la canalisation de carburant quand le moteur est relevé pour une longue durée.

AVIS

Un amarrage incorrect de votre bateau risque d'endommager le bateau ou le moteur, ou causer des dommages à un tiers.

Quand le bateau est à l'amarre, attention à ce que le moteur ne cogne pas contre le quai, la jetée ou d'autres bateaux.

UTILISATION EN EAU PEU PROFONDE

Quand on utilise le bateau en eau peu profonde, il peut s'avérer nécessaire de relever le moteur légèrement plus haut que l'angle d'inclinaison normal. Quand on utilise cette position en eau peu profonde, toutefois, on ne doit utiliser le bateau qu'aux basses vitesses.

Pour basculer légèrement le moteur, régler le bras de verrouillage du moteur relevé comme indiqué en section POSITION DE NAVIGATION EN EAU PEU PROFONDE.

▲ AVERTISSEMENT

En position eaux peu profondes, le verrouillage de basculement ne fonctionne pas. Par conséquent, la force développée par la poussée de l'hélice en "MARCHÉ ARRIÈRE", une brusque décélération ou un choc résultant de la rencontre avec un objet sous l'eau, peut entraîner un basculement du moteur hors de l'eau et des blessures corporelles.

Quand la position en eaux peu profondes est utilisée, prendre toutes les précautions nécessaires et n'opérer qu'à petite vitesse.

AVIS

Si vous n'observez pas les précautions nécessaires quand le bateau est utilisé en eau peu profonde, le moteur hors-bord ou le bateau risque d'être endommagé.

- **Quand le moteur est utilisé en eaux peu profondes et en position eaux peu profondes, vérifier que les trous de prise d'eau sont bien dans l'eau à tout moment et que l'eau est refoulée par les trous de refoulement.**
- **Ne pas laisser le moteur toucher le fond, en particulier pendant une MARCHÉ ARRIERE sous peine de dégâts sérieux. Si le moteur touche le fond pendant une MARCHÉ ARRIERE, le choc est directement appliqué à l'arcasse et le moteur et le bateau peuvent être endommagés.**

PRECAUTIONS A SUIVRE EN EAU DE MER

Après avoir utilisé le moteur en eau de mer, toujours rincer les passages d'eau à l'eau fraîche, comme indiqué dans la section RINCAGE DES PASSAGES D'EAU. Toujours rincer ces passages d'eau afin d'éviter tout risque de corrosion due au sel, qui peut réduire la durée de service du moteur.

UTILISATION PAR TEMPS FROID

Par temps froid, si la température tombe en dessous de 0°C, faire en sorte que la partie inférieure du moteur hors-bord soit toujours dans l'eau.

Après avoir sorti le moteur de l'eau, le tenir à la verticale jusqu'à écoulement complet du liquide du le système de refroidissement.

AVIS

En sortant de l'eau le moteur lorsque la température ambiante est inférieure à 0°C, l'eau contenue dans le système de refroidissement du moteur risque de se congeler, pouvant ainsi causer de sérieuses détériorations au moteur.

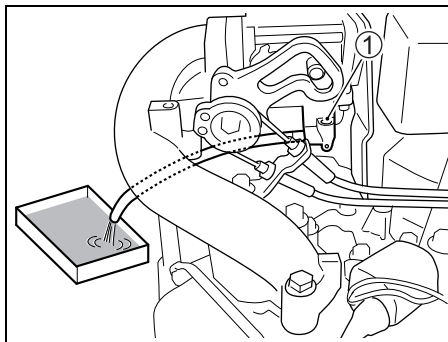
Quand le moteur hors-bord est laissé dans une eau glacée, le bloc inférieur devra être sous l'eau en permanence. Quand le moteur est sorti de l'eau glacée pour remisage, le laisser à la verticale afin que toute l'eau ressorte du système de refroidissement.

DEPOSE ET TRANSPORT DU MOTEUR

DEPOSE DU MOTEUR

MODÈLE À BARRE DE DIRECTION

1. S'assurer que le moteur est complètement arrêté.
 2. Enlever la conduite de carburant du moteur.
 3. Déposer le capot du moteur.
 4. Vidanger l'essence du carburateur de la manière indiquée.
- (1) Desserrer la vis de vidange du carburateur
① et vidanger l'essence dans un récipient convenable.



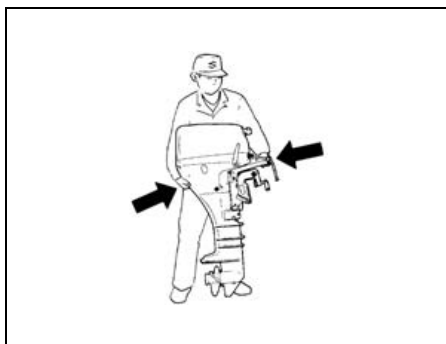
▲ AVERTISSEMENT

L'essence est extrêmement inflammable et toxique. L'essence peut provoquer un incendie et est dangereuse pour les personnes et les animaux.

Utiliser un récipient approprié pour recueillir l'essence vidangée du moteur hors-bord. Eloigner l'essence de toute source d'étincelle, de flammes, des personnes et des animaux.

- (2) Après la vidange, resserrer la vis.

5. Enlever les boulons de fixation.
6. Desserrer les vis d'étrier.
7. Soulever le moteur pour le séparer du tableau arrière.
8. Poser le moteur verticalement et vidanger l'eau du groupe inférieur.
9. Pour le transport, tenir le moteur en saisissant la poignée de transport et le capot inférieur du moteur.



MODÈLE À COMMANDE À DISTANCE

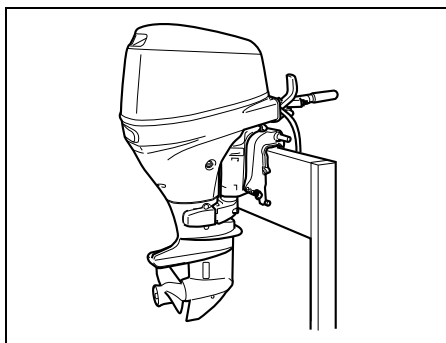
Si'il est nécessaire de déposer le moteur hors-bord du bateau, nous vous recommandons de confier cette opération à votre distributeur de moteurs hors-bord Suzuki.

TRANSPORT DU MOTEUR

Lors du transport du moteur, le poser soit verticalement soit horizontalement.

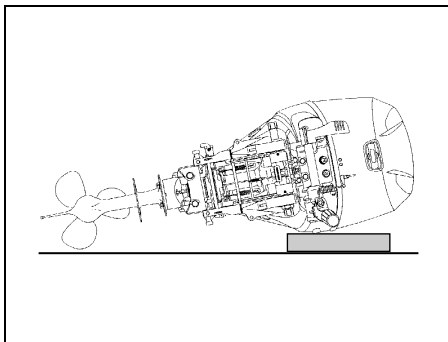
Transport vertical:

Fixer les étriers de fixation sur un support en serrant les deux boulons de tableau arrière.



Transport horizontal:

Lever la barre de direction (Modèle à barre de direction) et placer le moteur sur un protège-carter avec le côté du trou tourné vers le bas comme illustré.

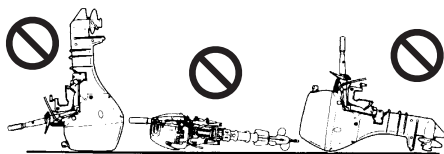


AVIS

Si vous ne prenez pas les précautions adéquates pour le transport de votre moteur hors-bord, il risque d'être détérioré.

- Ne pas faire reposer le moteur dans l'une des positions indiquées ci-dessous, l'eau pourrait entrer dans le cylindre par le carter ou les carters externes pourraient être endommagés.
- Ne pas mettre le moteur sur son côté avant que l'eau de refroidissement ne soit complètement vidangée, l'eau pourrait entrer dans le cylindre par l'orifice d'échappement et causer des problèmes.

INCORRECT



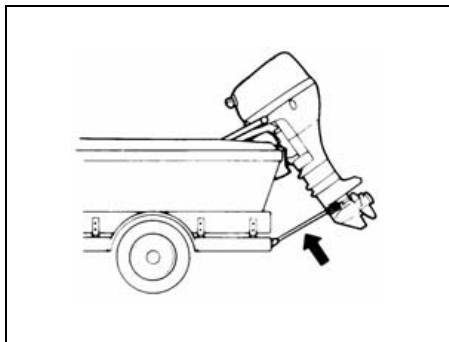
AVIS

Pendant le transport ou le remisage, ne pas laisser le bloc inférieur de votre moteur hors-bord reposer plus haut que la tête motrice, l'eau pourrait s'infiltrer dans la tête motrice, causant ainsi un endommagement du moteur.

Ne jamais laisser le bloc inférieur reposer plus haut que la tête motrice pendant le transport ou le remisage de votre moteur hors-bord.

REMORQUAGE

Quand vous remorquez votre bateau avec le moteur fixé dessus, laisser le moteur en position d'utilisation normale si la garde au sol est suffisante. Si la garde au sol est insuffisante, remorquer le bateau avec le moteur en position relevée en utilisant un jambe de force ou un dispositif similaire pour soutenir son poids.



AVIS

Si vous le bras de verrouillage de relevage pour tenir le moteur dans la position de relevage maximum, les vibrations propres au remorquage ou induites par les irrégularités de la chaussée pourraient débloquer le verrouillage de relevage, entraînant ainsi un endommagement du moteur et du mécanisme de verrouillage de relevage.

Ne jamais utiliser le bras de verrouillage de relevage pour tenir le moteur dans la position de relevage maximum pour remorquer le bateau. Utiliser une jambe de force ou un dispositif similaire pour soutenir le poids du moteur.

CONTROLE ET ENTRETIEN

AVIS

L'ENTRETIEN, LE REMPLACEMENT OU LES REPARATIONS DES DISPOSITIFS ET DES SYSTEMES DE REGULATION DES EMISSIONS PEUVENT ETRE EFFECTUES PAR TOUT ETABLISSEMENT OU MECANICIEN DE REPARATION DES MOTEURS MARINES UTILISANT DES PIECES DE RECHANGE HOMOLOGUEES CONFORMEMENT AUX PROVISIONS DE LA Sec. 207 (a) (2) DU 'CLEAN AIR ACT' (LOI SUR LA PROTECTION DE L'AIR).

d'effectuer l'opération indiquée. Les intervalles d'entretien doivent être déterminés par le nombre d'heures ou le nombre de mois, selon celui de ces deux éléments qui arrive en premier.

▲ AVERTISSEMENT

Les gaz d'échappement contiennent du monoxyde de carbone, un gaz incolore et inodore difficile à détecter. Ce gaz peut entraîner la mort ou des blessures graves.

Ne jamais lancer le moteur ou le faire tourner dans un endroit clos ou dans un endroit non ou faiblement aéré.

PLAN D'ENTRETIEN

Il est important de contrôler et d'entretenir le moteur hors-bord régulièrement. Suivre le tableau. A chaque intervalle, ne pas oublier

Intervalles Élément	Premier mois ou premières 20 heures	Toutes les 50 heures ou tous les 3 mois	Toutes les 100 heures ou tous les 6 mois	Toutes les 200 heures ou tous les 12 mois
Bougies	–	–	I	R
Reniflard et conduite d'alimentation	I	I	I	I
Huile du moteur	R	–	R	R
Huile du carter d'engrenages	R	–	R	R
Graissage	–	I	I	I
Anodes (externes)	–	I	I	I
* Anodes (internes, bloc moteur)	–	–	I	I
Fils de masse	–	I	I	I
Batterie	–	I	I	I
* Boulons & écrous	T	–	T	T
* Filtre à huile du moteur	R	–	–	R
* Filtre à carburant	–	I	I	I
Remplacer toutes les 400 heures ou tous les 2 ans.				
* Jeu des soupapes	I	–	–	I
* Carburateurs	I	–	I	I
* Ecrou et goupille de l'hélice	I	–	I	I
* Pompe à eau	–	–	–	I
* Rotor de la pompe à eau	–	–	–	R
* Régime de ralenti	I	–	–	I
* Avance à l'allumage	–	–	–	I

I: Inspecter et nettoyer, ajuster, graisser ou remplacer, si nécessaire. T: Serrer R: Remplacer

▲ AVERTISSEMENT

Un entretien défectueux ou le non-entretien recommandé peut s'avérer dangereux. Un entretien incorrect ou le non-entretien augmente les chances d'accident ou de détérioration de l'équipement.

Veiller à bien effectuer l'entretien selon le programme indiqué dans le tableau ci-dessus. Suzuki recommande de confier l'entretien seulement à un concessionnaire de moteurs hors-bord agréé Suzuki ou à un mécanicien qualifié des éléments repérés par un astérisque (*) dans le tableau ci-dessus. Vous pouvez effectuer l'entretien des éléments non marqués en se référant aux instructions dans cette section si vous avez des connaissances en mécanique. Si vous n'êtes pas sûr de pouvoir effectuer ces opérations convenablement, les confier à un concessionnaire de moteurs hors-bord agréé Suzuki.

▲ AVERTISSEMENT

La sécurité du pilote et des passagers dépend de la manière dont le moteur hors-bord est entretenu.

Respecter scrupuleusement toutes les instructions de contrôle et d'entretien. Ne pas essayer d'effectuer l'entretien de ce moteur hors-bord si l'on n'est pas qualifié. On pourrait se blesser ou endommager le moteur.

AVIS

Les intervalles d'entretien indiqués dans le tableau ont été établis pour une utilisation normale du moteur hors-bord. Si le moteur hors-bord est utilisé sous des conditions difficiles, comme à pleine puissance la plupart du temps, en milieu boueux, salé, sablonneux ou acide, ou en eaux peu profondes, procéder aux opérations d'entretien plus souvent qu'indiqué dans le tableau. Le moteur hors-bord risque d'être endommagé si l'entretien n'est pas effectué plus souvent.

Consulter le concessionnaire de moteurs hors-bord agréé Suzuki pour toute question concernant les intervalles d'entretien appropriés. Pour le remplacement de pièces sur le moteur hors-bord, Suzuki conseille vivement l'utilisation de pièces Suzuki d'origine ou équivalentes.

BOUGIE

Votre moteur hors-bord est équipé des bougies "standard" suivante pour une utilisation normale.

Bougie Standard	NGK BKR6E
-----------------	-----------

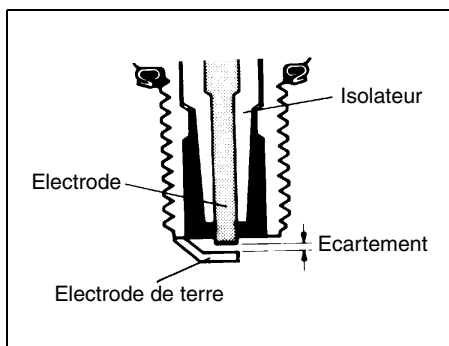
AVIS

L'utilisation de bougies du type sans résistance risque de perturber le fonctionnement de l'allumage électronique, causant des ratés d'allumage ou des problèmes avec les autres équipements et accessoires électroniques du bateau.

Utiliser **UNIQUEMENT** des bougies du type à résistance sur votre moteur hors-bord.

Les concessionnaires de moteur hors-bord agréés Suzuki sont à même de déterminer si une bougie de type standard est appropriée au type d'usage prévu du moteur par contrôle de la couleur de l'isolateur en porcelaine ou de l'état de l'électrode de la bougie après usage.

Si la bougie tend à chauffer (comme en témoigne la couleur blanchâtre de l'isolateur ou le grillage de l'électrode), arrêter immédiatement l'usage du moteur sous peine de grave détérioration du moteur. Si la bougie n'est pas assez chaude (l'isolateur est alors noirâtre ou l'électrode apparaît humide), les performances vont s'en ressentir. Demander au concessionnaire de moteur hors-bord agréé Suzuki de déterminer la raison du problème.



AVIS

L'utilisation de bougies incorrectes ou mal serrées peut entraîner un grave endommagement du moteur.

- **Ne pas tenter d'utiliser de bougies de marque différente si celle-ci ne sont pas certifiées exactement équivalentes à la marque spécifiée, sous peine de détérioration du moteur non couverte par la garantie. Noter que les tableaux de correspondance postérieurs à la commercialisation risquent de manquer de précision.**
- **Pour monter une bougie; la visser d'abord entièrement à la main, puis utiliser une clé pour la resserrer au couple spécifié ou selon l'angle de rotation spécifié.**

Couple de serrage

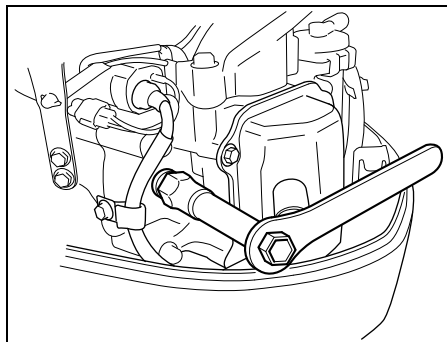
2,5 – 2,8 kg-m (18,1 – 20,0 lb-ft)

Angle de rotation

Bougie neuve 1/2 – 3/4 tour

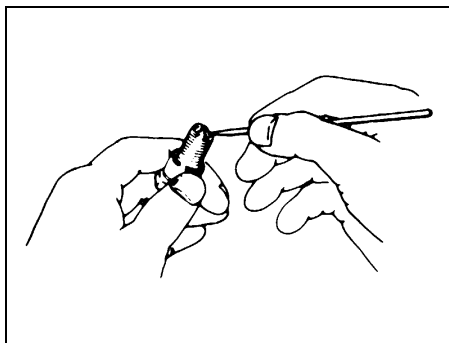
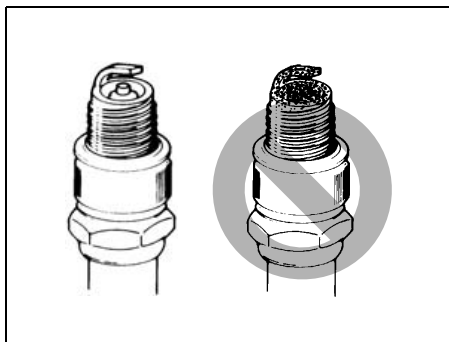
Bougie usagée 1/12 – 1/8 tour

- **Ne pas trop serrer ou fausser les filetages de la bougie sous peine de détérioration des filetages en aluminium de la culasse.**



Afin d'obtenir un bon étincellement, on doit décalaminer et régler les bougies aux intervalles indiqués dans le tableau d'entretien. Décalaminer les bougies à l'aide d'une petite brosse métallique ou d'un appareil de nettoyage spécial puis régler l'écartement des électrodes en se reportant au tableau suivant.

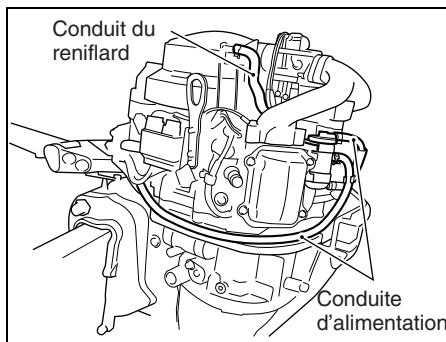
Ecartement des électrodes des bougies	0,7 – 0,8 mm (0,028 – 0,031 in)
---------------------------------------	------------------------------------



Si l'électrode ou l'isolateur est endommagé ou en cas d'usure excessive, changer la bougie.

RENIFLARD ET CONDUITE D'ALIMENTATION

Contrôler si le reniflard ou la conduite d'alimentation ne présentent pas de fuites ou ne sont pas craquelés, boursoufflés ou endommagés de toute autre manière. Si la conduite d'alimentation ou le reniflard présentent le moindre dommage ils doivent être remplacés. Si le remplacement s'avère nécessaire, consulter votre distributeur de moteurs hors-bord Suzuki.



▲ AVERTISSEMENT

Une fuite de carburant peut donner lieu à une explosion ou un incendie, entraînant un grave accident corporel.

En cas de signe de fuite, de craquelure ou de boursoufflement, faire remplacer la conduite d'alimentation par votre distributeur de moteurs hors-bord SUZUKI.

HUILE DU MOTEUR

▲ AVERTISSEMENT

Ne jamais effectuer la vidange de l'HUILE-MOTEUR quand le moteur tourne, sous peine de risque de blessure grave.

Le moteur doit être arrêté avant de procéder à la vidange de l'HUILE-MOTEUR.

AVIS

La pêche à la traîne prolongée peut réduire la durée de service de l'huile. Votre moteur risque d'être détérioré si la vidange de l'huile-moteur n'est pas effectuée plus souvent dans ce cas.

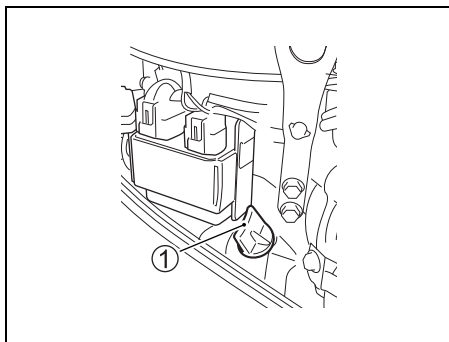
Vidanger l'huile-moteur plus souvent si votre moteur est utilisé pour la pêche à la traîne de longue durée.

Changement de l'huile du moteur

Afin qu'elle puisse se vidanger complètement, l'huile doit être changée quand le moteur est chaud.

Pour changer l'huile du moteur:

1. Mettre le moteur en position verticale et enlever son capot.
2. Enlever le bouchon de remplissage d'huile
①.



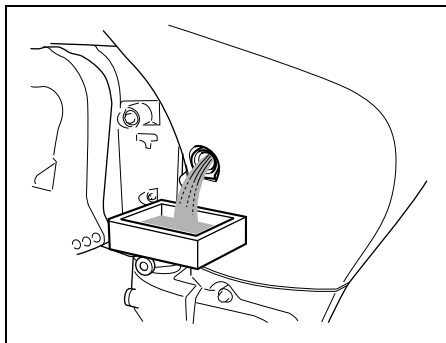
3. Mettre un récipient sous la vis de vidange d'huile du moteur.

▲ ATTENTION

La température de l'huile du moteur peut être suffisamment élevée pour provoquer une brûlure des doigts quand on enlève la vis de vidange.

Avant d'enlever cette vis, attendre qu'on puisse la toucher à mains nues.

4. Enlever la vis de vidange d'huile du moteur et le joint, puis laisser l'huile s'écouler dans le récipient.



5. Après la vidange, serrer la vis de vidange d'huile du moteur avec un joint neuf.

AVIS

Un joint déjà utilisé risque de fuir, ce qui peut entraîner une détérioration du moteur.

Ne jamais réutiliser les joints. Veiller à toujours utiliser des joints neufs.

NOTE:

Il y a des joints de rechange dans la trousse à outils.

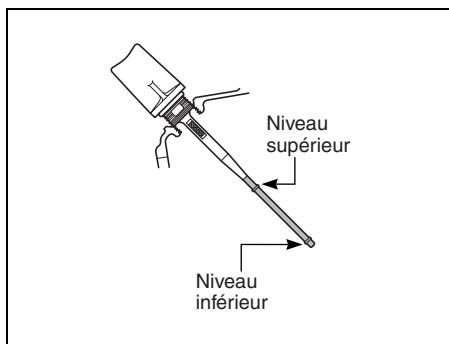
6. Remplir d'huile-moteur recommandée jusqu'au niveau haut.

Quantité d'huile: 1,5 L (1,6/1,3 US/Imp. qt.)

Huile moteur: SAE (ou NMMA FC-W)10W-40

Classement API (ou NMMA FC-W): SG, SH, SJ, SL, SM

7. Contrôler le niveau d'huile du moteur. Voir la section **CONTROLE AVANT L'UTILISATION**.



NOTE:

Pour éviter toute mesure incorrecte du niveau d'huile du moteur, contrôler ce niveau uniquement une fois que le moteur est refroidi.

8. Remonter le bouchon de remplissage d'huile.

▲ AVERTISSEMENT

L'huile-moteur est dangereuse pour les gens et les animaux. Le contact répété et prolongé avec de l'huile-moteur présente un risque de cancer de la peau. Même un contact de courte durée risque d'irriter la peau.

- **Eloigner l'huile, neuve et usagée, des enfants et des animaux.**
- **Toujours porter une chemise à manches longues et des gants étanches avant de manipuler l'huile.**
- **Laver au savon la peau en cas de contact avec l'huile.**
- **Nettoyer tout vêtement ou chiffon qui a été exposé à l'huile.**

NOTE:

Recycler ou mettre au rebut correctement l'huile-moteur usagée. Ne pas la jeter à la poubelle, la répandre sur le sol, la mettre à l'égout ou la jeter à l'eau.

HUILE DU CARTER D'ENGRENAGES

Pour vérifier le niveau d'huile d'engrenage, mettre le moteur bien droit, déposer le bouchon de niveau d'huile et regarder dans le trou.

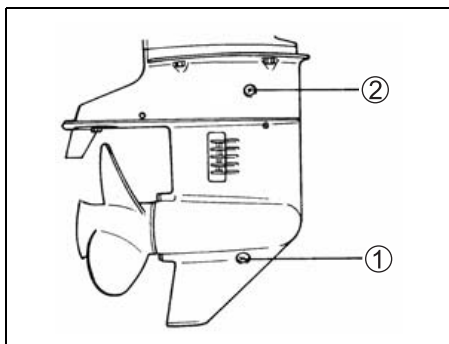
Le niveau d'huile doit être au bord inférieur de ce trou. Si le niveau est bas, le compléter en ajoutant l'huile pour engrenages spécifiée.

Ensuite, remonter et serrer le bouchon.

La durée de vie d'un moteur hors-bord dépend de la régularité de ses vidanges d'huile.

Pour changer l'huile du carter d'engrenages:

1. S'assurer que le moteur est en position verticale puis mettre un bidon sous le carter d'engrenages.
2. Enlever le bouchon de vidange d'huile ① inférieur puis enlever le bouchon de niveau d'huile supérieur ②.



3. Une fois que toute l'huile est vidangée, injecter l'huile pour engrenages spécifiée par le trou inférieur jusqu'à ce qu'elle commence à sortir par le trou supérieur. Il faudra environ 420 ml (14,2/14,8 US/Imp. oz.) d'huile.
4. Reposer et serrer le bouchon de niveau d'huile moteur ②, puis reposer et serrer aussitôt le bouchon de vidange d'huile ①.

NOTE:

Afin d'injecter suffisamment d'huile pour engrenages, contrôler le niveau d'huile 10 minutes après avoir procédé comme décrit à l'étape 4. Si le niveau d'huile est trop bas, injecter lentement l'huile pour engrenages jusqu'à ce que le niveau soit correct.

▲ AVERTISSEMENT

L'huile pour engrenages est dangereuse pour les gens et les animaux. Le contact répété et prolongé avec de l'huile pour engrenages présente un risque de cancer de la peau. Même un contact de courte durée avec de l'huile usagée risque d'irriter la peau.

- Eloigner l'huile, neuve et usagée, des enfants et des animaux.
- Toujours porter une chemise à manches longues et des gants étanches avant de manipuler l'huile.
- Laver au savon la peau en cas de contact avec l'huile.
- Nettoyer tout vêtement ou chiffon qui a été exposé à l'huile.

NOTE:

Recycler ou mettre au rebut correctement l'huile pour engrenages usagée. Ne pas jeter l'huile avec les déchets ordinaires, sur le sol, à l'égout ou dans l'eau.

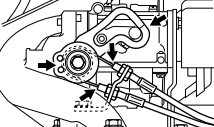
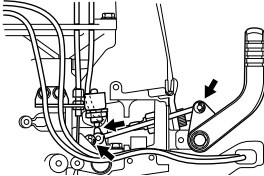
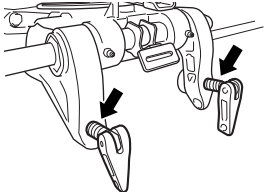
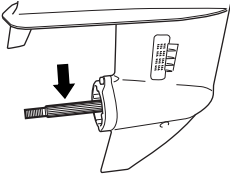
AVIS

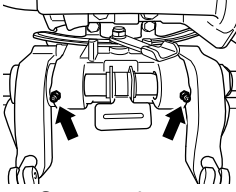
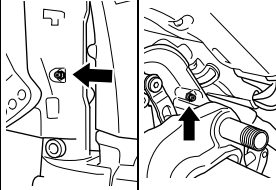
Si une ligne s'enroule autour de l'arbre d'hélice qui tourne, le joint d'étanchéité de l'arbre d'hélice risque d'être détérioré et peut laisser pénétrer l'eau dans le carter d'engrenage et provoquer des dégâts importants.

Si l'huile pour engrenage est de couleur laiteuse, elle est contaminée par de l'eau. Contacter immédiatement le concessionnaire de moteurs hors-bord agréé Suzuki pour conseil. Ne pas utiliser le moteur hors-bord tant que l'huile n'a pas été changée et la cause de la contamination déterminée.

GRAISSAGE

Un graissage correct est important pour un fonctionnement sûr et en douceur et pour une grande longévité de chaque pièce mécanique du moteur hors-bord. Le tableau suivant indique les points de graissage du moteur, ainsi que les lubrifiants à utiliser.

EMPLACEMENT	LUBRIFIANT
 <p>Support pivotant</p>	Graisse hydrofuge
 <p>Timonerie</p>	
 <p>Vis de serrage</p>	
 <p>Arbre d'hélice</p>	

EMPLACEMENT	LUBRIFIANT
 <p>Support pivotant</p>	Graisse hydrofuge (Utiliser un pistolet graisseur)
 <p>Support de direction</p>	

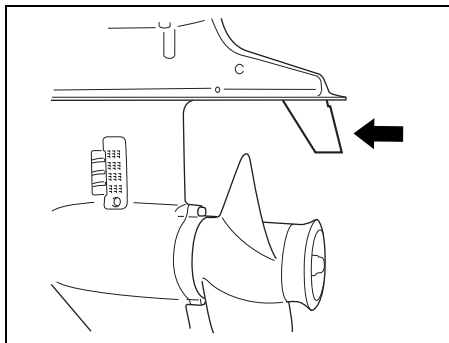
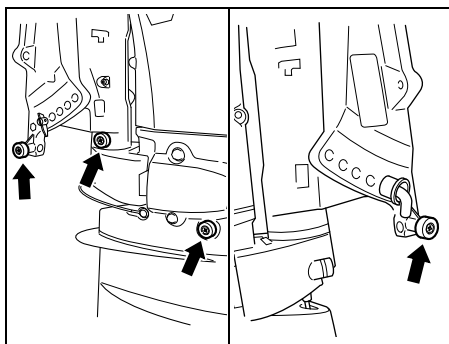
Le concessionnaire de moteurs hors-bord agréé Suzuki peut également donner des conseils supplémentaires compte tenu des conditions climatiques locales ou des conditions particulières d'utilisation. Lui demander conseil.

PROTECTION CONTRE LA CORROSION

ANODES

Le moteur est protégé contre la corrosion extérieure par des anodes. Ces anodes commandent l'électrolyse et empêchent la corrosion. Ces anodes se corrodent à la place des pièces qu'elles protègent. On doit contrôler périodiquement chacune d'elles et la remplacer quand les 2/3 du métal ont disparu par corrosion.

Dans certaines régions du pays, l'eau peut s'avérer très dure pour les métaux. Des mesures anti-rouille supplémentaires peuvent apporter une protection renforcée dans ces conditions. Pour le détail, voir le concessionnaire de moteurs hors-bord agréé Suzuki.



AVIS

Si les anodes ne sont pas entretenues correctement, la surface en aluminium sous l'eau (comme le bloc inférieur, par exemple) risque d'être détériorée par la corrosion galvanique.

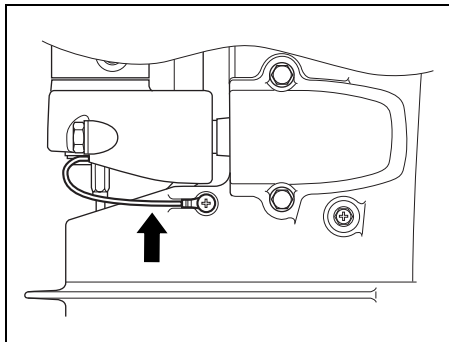
- **Contrôler périodiquement les anodes pour s'assurer qu'elles ne sont pas détachées.**
- **Ne pas peindre les anodes, sous peine de les rendre inefficaces.**
- **Nettoyer périodiquement les anodes avec une brosse métallique pour enlever tout encrassement qui pourrait diminuer leurs propriétés protectrices.**

NOTE:

Pour le contrôle et le remplacement des anodes internes fixées au bloc moteur, Voir un concessionnaire Suzuki Marine agréé.

FILS DE MASSE

Les fils de masse sont utilisés pour relier électriquement les organes du moteur afin qu'ils se trouvent sur un circuit de masse commun. Ceci les protège contre l'électrolyse par l'anode. Examiner périodiquement ces fils et leurs bornes pour s'assurer qu'ils ne sont pas endommagés.



BATTERIE

Avec les batteries sans entretien, procéder conformément aux instructions fournies avec la batterie et vérifier le bon état par contrôle à travers le regard à cet effet.

Si la batterie n'est pas du type sans entretien, vérifier le niveau du liquide de batterie toutes les 50 heures de marche ou tous les 3 mois. Le niveau de l'électrolyte doit toujours être maintenu entre les repères de niveau MAX et MIN.

Si le niveau est au-dessous du repère de niveau MIN, le compléter jusqu'au repère de niveau MAX en utilisant UNIQUEMENT DE L'EAU DISTILLÉE.

▲ AVERTISSEMENT

Le liquide de batterie est nocif et corrosif et peut causer des blessures graves.

Eviter tout contact avec les yeux, la peau, les vêtements et les surfaces peintes. En cas de contact avec le liquide de batterie, rincer immédiatement avec beaucoup d'eau. En cas de contact avec les yeux ou la peau, consulter un docteur immédiatement.

▲ AVERTISSEMENT

Si vous ne prenez pas les précautions nécessaires pendant le contrôle ou l'entretien de la batterie, vous risquez de provoquer un court-circuit qui peut provoquer une explosion, un incendie ou la détérioration du circuit.

Déconnecter le câble négatif (noir) avant le contrôle ou l'entretien de la batterie. Veiller à ne pas mettre en contact un outil métallique ou autre objet métallique la borne positive de la batterie et le moteur en même temps.

▲ AVERTISSEMENT

Les cosses, bornes et autres accessoires de la batterie contiennent du plomb et des éléments en plomb, qui est un produit dangereux.

Se laver les mains après avoir touché ces accessoires.

AVIS

Si vous ajoutez de l'acide sulfurique dilué dans la batterie après l'entretien initial, la batterie sera endommagée.

NE JAMAIS ajouter d'acide sulfurique dilué dans la batterie après l'entretien initial. Suivre les instructions du fabricant de la batterie pour les procédures de maintenance spécifiques.

FILTRE A HUILE MOTEUR

Faire changer périodiquement le filtre à huile moteur par un Concessionnaire Marine Suzuki agréé.

Changer le filtre à huile par une pièce neuve après les 20 premières heures (1 mois) d'utilisation.

Changer ensuite le filtre à huile par une pièce neuve toutes les 200 heures (12 mois).

FILTRE A CARBURANT

Faire vérifier périodiquement le filtre à carburant par un Concessionnaire Marine Suzuki agréé. Vérifier le filtre à carburant toutes les 50 heures (3 mois).

Changer le filtre par une pièce neuve toutes les 400 heures (2 ans).

RINCAGE DES PASSAGES D'EAU

Après fonctionnement dans de l'eau boueuse, saumâtre ou salée, vous devez rincer les conduites d'eau et la surface du moteur avec de l'eau propre. Si vous ne rincez pas les conduites d'eau, le sel peut corroder le moteur et réduire sa durée de vie. Rincer les conduites d'eau comme suit:

MOTEUR EN MARCHÉ

– En position verticale –

Suzuki conseille de rincer le passage d'eau de cette façon.

Pour rincer les conduits d'eau, on doit se procurer un accessoire de rinçage disponible dans le commerce.

▲ AVERTISSEMENT

Les gaz d'échappement contiennent du monoxyde de carbone, un gaz incolore et inodore difficile à détecter. Ce gaz peut entraîner la mort ou des blessures graves.

Ne jamais lancer le moteur ou le faire tourner dans un endroit clos ou dans un endroit non ou faiblement aéré.

▲ AVERTISSEMENT

Le manque de précautions appropriées pour purger l'eau dans les passages d'eau peut être dangereux.

Pour purger les passages d'eau, toujours prendre les précautions suivantes:

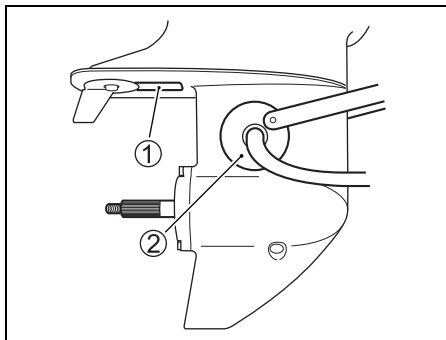
- S'assurer que le moteur est au POINT MORT. Si le moteur est en prise, l'arbre d'hélice peut tourner et causer de graves blessures.
- S'assurer que le moteur est bien fixé sur un support stable ou le bateau, et rester à proximité jusqu'à la fin de la purge.
- Eloigner les enfants et les animaux et ne pas s'approcher des pièces mobiles.

AVIS

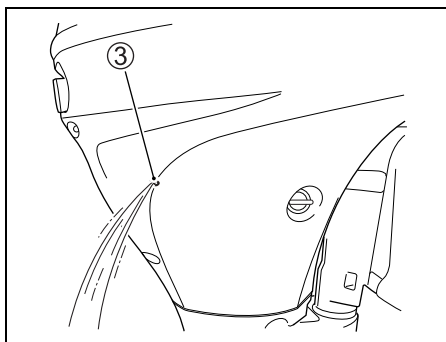
Le moteur peut être gravement endommagé en moins de 15 secondes si le moteur est démarré sans eau dans le système de refroidissement.

Ne jamais démarrer le moteur sans avoir au préalable alimenté en eau le système de refroidissement.

1. Recouvrir l'orifice d'entrée d'eau auxiliaire ① avec un morceau de ruban adhésive.
2. Monter l'accessoire de rinçage de manière ② telle que les trous d'admission d'eau soient couverts par les coupelles en caoutchouc.



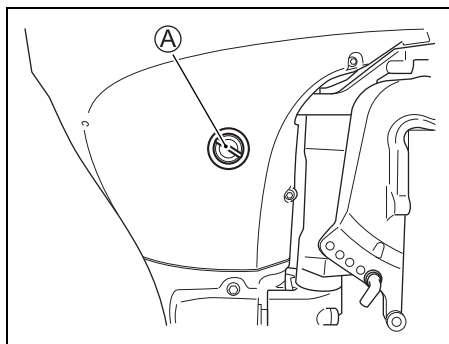
3. Connecter un tuyau d'arrosage à l'accessoire de rinçage et ouvrir le robinet pour obtenir un débit tel qu'il sort beaucoup d'eau par la périphérie des coupelles en caoutchouc de l'accessoire de rinçage.
4. Placer la poignée de télécommande en position de "POINT MORT" (NEUTRAL) après avoir déposé l'hélice et lancer le moteur. Dès que le moteur démarre, de l'eau doit gicler par le trou d'eau pilote ③ pour signaler le bon fonctionnement de la pompe à eau. Si aucun jet d'eau n'est constaté, voir immédiatement un concessionnaire.



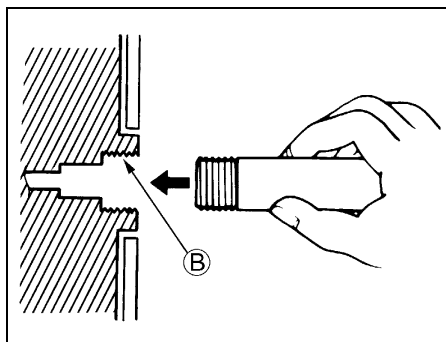
5. Pendant le rinçage, le seul régime du moteur permis est le régime de ralenti. Si nécessaire, réajuster le débit de l'eau de sorte que les coupelles en caoutchouc baignent dans une grande quantité d'eau.
6. Laisser circuler l'eau pendant quelques minutes.
7. Arrêter le moteur puis fermer le robinet d'eau.
8. Enlever l'accessoire de rinçage et enlever la bande adhésive du trou d'admission d'eau.
9. Nettoyer la surface du moteur et appliquer une couche de cire sur la finition du moteur.

MOTEUR ARRETE – En position verticale –

1. Enlever le bouchon (A) de l'orifice de rinçage.



2. Mettre en place le tuyau d'arrosage en utilisant un raccord de tuyau adapté au filetage de l'orifice de rinçage (B).
Filetage (B) : 0,75 – 11,5 NHR (Filetage de raccord de tuyau aux normes américaines pour applications tuyau d'arrosage.)



3. Ouvrir l'arrivée d'eau de manière à assurer un débit d'eau adéquat. Rincer le moteur pendant cinq minutes environ.
4. Fermer l'arrivée d'eau.
5. Enlever le tuyau et le connecteur (si utilisé), puis remettre en place le bouchon sur l'orifice de rinçage.
6. Laisser le moteur en position verticale jusqu'à ce qu'il soit complètement sec.

MOTEUR ARRETE

– En position relevée maximum –

1. Lever le moteur sur la position relevée maximum.
2. Suivre les instructions "MOTEUR ARRETE-En position verticale".
NE PAS FAIRE TOURNER LE MOTEUR EN POSITION RELEVÉE MAXIMUM.
3. Mettre le moteur en position verticale jusqu'à ce qu'il soit complètement sec.

MOTEUR IMMERGE

Si le moteur s'est retrouvé accidentellement immergé dans l'eau, le soumettre à des réparations spéciales le plus rapidement possible pour éviter les risques de corrosion. Si possible, confier cette opération à un concessionnaire marine qualifié. Si ceci n'est pas possible dans un délai rapproché, prendre les mesures suivantes. Si votre moteur est accidentellement immergé, procéder comme suit.

1. Retirer le moteur de l'eau le plus tôt possible.
2. Déposer le capot du moteur et le laver immédiatement à l'eau douce pour enlever complètement toute trace de sel, boue et algues.
3. Enlever les bougies. Vidanger l'eau des cylindres par les trous de bougie en faisant tourner manuellement le volant à plusieurs reprises.
4. Contrôler s'il n'y a pas d'eau dans l'huile du moteur. Si de l'eau est présente, vidanger l'huile en enlevant le bouchon prévu à cet effet. Après la vidange, remonter ce bouchon.
5. Vidanger la canalisation de carburant, le carburateur et tous les filtres.

▲ AVERTISSEMENT

L'essence est extrêmement inflammable et toxique. L'essence peut provoquer un incendie et est dangereuse pour les personnes et les animaux.

Tenir l'essence à l'écart de toute flamme et étincelle. Mettre l'essence non désirée au rebut convenablement.

6. Verser une cuiller à soupe d'huile moteur dans chaque trou de bougie et dans le carburateur. Revêtir les pièces internes du moteur d'huile en faisant tourner le moteur par activation du lanceur. Ne pas utiliser le démarreur électrique sous peine de déformation des tiges de raccordement.

AVIS

Le moteur risque d'être gravement endommagé si vous lancez le moteur et ressentez une friction ou une résistance.

Si vous rencontrez une friction ou une résistance pendant le lancement du moteur, arrêter le moteur immédiatement et ne pas tenter de le redémarrer tant que problème n'a pas été déterminé et corrigé.

7. Faire vérifier le moteur dès que possible par un concessionnaire marine Suzuki agréé.

AVIS

Si le carburant est contaminé par l'eau, le moteur risque d'être détérioré.

Si le dispositif de remplissage du réservoir de carburant et l'évent ont été immergés, contrôler le circuit d'alimentation en carburant pour s'assurer qu'il n'est pas contaminé par l'eau.

PROCEDURE DE REMISAGE

REMISAGE DU MOTEUR

Quand on remise le moteur pour une longue période (par exemple à la fin de la saison nautique), il est recommandé de l'apporter chez son distributeur de moteurs hors-bord Suzuki. Toutefois, si l'on désire le préparer soi-même pour le remisage, procéder comme suit:

1. Changer l'huile du carter d'engrenages comme décrit dans la section HUILE POUR ENGRENAGES.
2. Changer l'huile du moteur comme décrit dans la partie HUILE DU MOTEUR.
3. Ajouter un stabilisateur de carburant de haute qualité dans le réservoir en procédant conformément aux instructions données sur le bidon du stabilisateur.
4. Rincer les passages d'eau du moteur soigneusement. Se reporter à la section RINÇAGE DES PASSAGES D'EAU .
5. Réajuster le débit de l'eau et faire tourner le moteur à environ 1500 tr/min au point mort pendant cinq minutes pour distribuer le carburant stabilisé dans tout le moteur.
6. Arrêter le moteur puis fermer le robinet d'eau. Enlever l'accessoire de rinçage.
7. Graisser toutes les pièces mobiles. Se reporter à la section GRAISSAGE. Pulvériser un agent antirouille sur toute la partie entraînement (éviter les produits à huile décalage).
8. Appliquer une couche de cire pour automobiles sur la partie extérieure du moteur. Si la peinture est endommagée, faire les retouches nécessaires avant d'appliquer la cire.
9. Remiser le moteur en position verticale dans un endroit sec et bien aéré. Choisir un endroit à température stabilisée pour éviter les risques de corrosion par condensation. Ne pas magasiner près d'un four, d'un radiateur ou autre.

▲ AVERTISSEMENT

Quand le moteur tourne, les pièces tournantes du moteur risquent de causer des blessures graves.

Quand le moteur est en marche, tenir ses mains, cheveux, vêtements, etc. à l'écart.

AVIS

Le moteur peut être gravement endommagé en moins de 15 secondes si le moteur est démarré sans eau dans le système de refroidissement.

Ne jamais démarrer le moteur sans avoir au préalable alimenté en eau le système de refroidissement.

REMISAGE DE LA BATTERIE

1. Quand le moteur hors-bord doit ne pas être utilisé pendant un mois ou plus, enlever la batterie et la ranger dans un endroit frais et sombre. Ne pas poser les batteries sur du béton ou de la terre sous peine de les décharger encore plus rapidement.
2. Laver le boîtier et les plots à l'eau douce uniquement et les sécher à l'aide d'un chiffon propre.
3. Recharger complètement la batterie. Si la batterie doit être remise pendant une longue période, contrôler la densité de l'électrolyte au moins une fois par mois et recharger la batterie quand la charge est faible.

AVERTISSEMENT

Le non-respect des précautions appropriées pour recharger la batterie peut être dangereux. Les batteries produisent des vapeurs explosives qui risquent de s'enflammer. Le liquide de batterie est nocif et corrosif et peut entraîner des blessures graves.

- Ne pas fumer et éloigner la batterie de toute source de flamme et d'étincelle.
- Pour éviter toute formation d'étincelle pendant la recharge de la batterie, connecter les câbles du chargeur de la batterie aux bornes adéquates avant de mettre le chargeur sous tension.
- Manipuler la batterie avec beaucoup de soin et éviter tout contact du liquide de batterie avec la peau.
- Porter des vêtements et accessoires de protection adéquats (lunettes, gants, etc.)

APRES LE REMISAGE

Quand vous voulez utiliser votre moteur après un remisage, procéder comme suit pour le remettre en état de marche:

1. Nettoyer les bougies soigneusement. Les remplacer si nécessaire.
2. Contrôler le niveau d'huile du carter d'engrenages. Si nécessaire, compléter ce niveau en procédant comme décrit dans la section HUILE POUR ENGRENAGES.
3. Graisser toutes les pièces mobiles comme décrit dans la section GRAISSAGE.
4. Contrôler le niveau d'huile du moteur.
5. Nettoyer le moteur et cirer les surfaces peintes.
6. Si le moteur est pourvu d'une batterie. Recharger la batterie avant de la mettre en place.

INFORMATIONS GENERALES

GARANTIE (ETATS-UNIS)

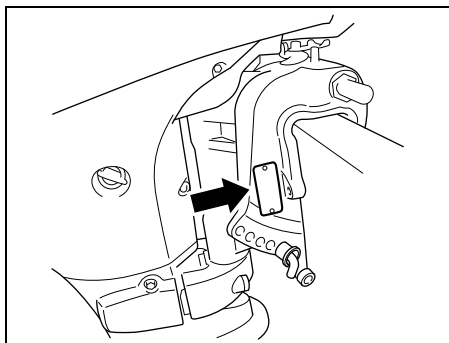
Le garantie s'appliquant à ce moteur hors-bord est spécifiée par un livret séparé intitulé Garantie Limitée remis à l'achat du moteur. Lisez attentivement ce livret pour connaître vos droits et vos responsabilités.

EMPLACEMENT DES NUMEROS D'IDENTIFICATION

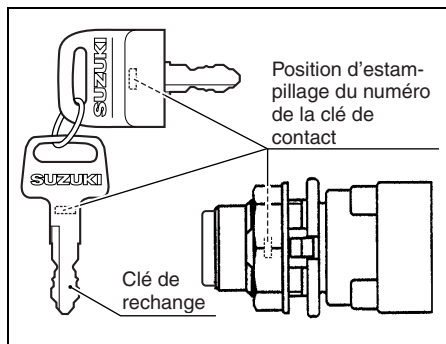
Les numéros de modèle et d'identification de votre moteur hors-bord sont estampés sur une plaque fixée au support. Noter ces chiffres ci-dessous pour future référence. Il est important de connaître ces numéros quand on effectue une commande de pièces ou si votre moteur est volé.

Numéro de modèle:

Numéro d'identification:



Numéro de la clé de contact:



INFORMATIONS CONCERNANT LA REGULATION DES EMISSIONS

AVIS

- CE MOTEUR FONCTIONNE AVEC DE L'ESSENCE SANS PLOMB D'INDICE D'OCTANE 87 (METHODE (R+M)/2) OU PLUS.
- SYSTEME DE REGULATION DES EMISSIONS : MODIFICATION DU MOTEUR

DEPANNAGE

Ce guide de dépannage est prévu pour vous aider à trouver la cause des problèmes courants.

AVIS

La résolution incorrecte d'un problème peut endommager votre moteur hors-bord. Des réparations ou réglages incorrects peuvent entraîner un endommagement du moteur hors-bord. Un tel endommagement risque de ne pas être couvert par la garantie.

Si l'on n'est pas sûr de la mesure corrective à prendre, consulter un concessionnaire accrédité Suzuki au sujet du problème rencontré.

Le lanceur à retour automatique/le démarreur ne fonctionne pas:

- Le levier d'inversion n'est pas au POINT MORT.
- Le fusible est fondu. (Modèle à démarreur électrique)

Le moteur ne démarre pas (démarrage difficile):

- La plaque du coupe-circuit de sécurité n'est pas en place.
- Le réservoir de carburant est vide.
- Le tuyau de carburant n'est pas correctement connecté au moteur.
- La conduite de carburant est pliée ou pincée.
- La bougie est encrassée.

Le moteur tourne irrégulièrement au ralenti ou cale:

- Le bouton de starter n'est pas enfoncé au maximum. (Modèle à starter manuel)
- La conduite de carburant est pliée ou pincée.
- La bougie est encrassée.

La vitesse du moteur n'augmente pas (Le moteur manque de puissance):

- Le moteur est surchargé.
- Le système de signalisation est activé.
- L'hélice est endommagée.
- L'hélice n'est pas adaptée au bateau.

Le moteur vibre excessivement:

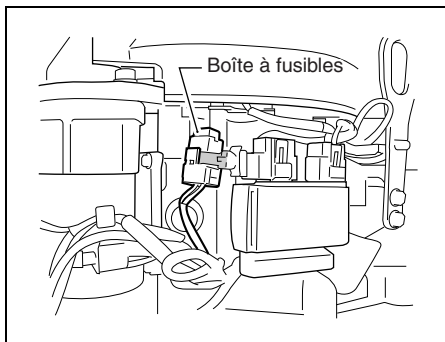
- Les boulons de fixation du moteur ou les vis de presse sont desserrés.
- Un corps étranger (algues ou autres) est coincé dans l'hélice.
- L'hélice est endommagée.

Le moteur surchauffe:

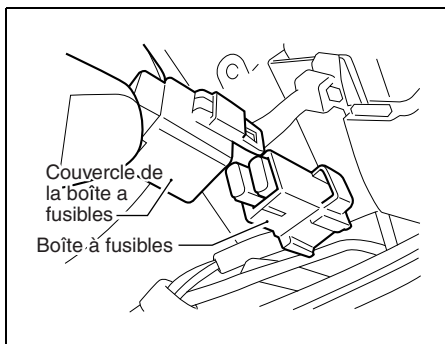
- L'admission d'eau de refroidissement est obstruée.
- Le moteur est surchargé.
- L'hélice n'est pas adaptée au bateau.

FUSIBLE

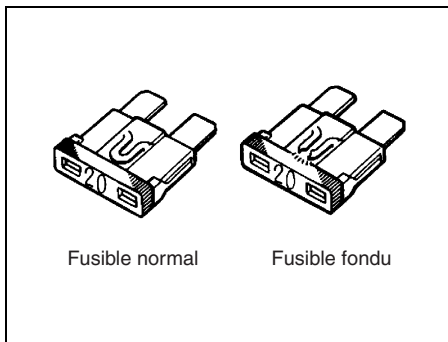
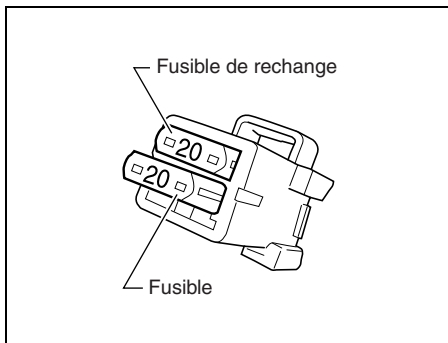
1. Mettre la clé de contact en position "off". (Modèle à télécommande)
2. Déposer le couvercle du moteur.



3. Déposer le couvercle de la boîte à fusibles et sortir le fusible.



4. Vérifier le fusible et le changer par une pièce neuve si nécessaire.



▲ AVERTISSEMENT

Si vous remplacez un fusible sauté par un fusible d'ampère différent ou par un morceau ou fil d'aluminium à la place du fusible, risque de détérioration du circuit électrique et d'incendie.

Toujours remplacer un fusible sauté par un fusible de type et ampère identiques.

AVIS

Si un fusible neuf qui vient d'être remplacé saute peu après son installation, il existe probablement un problème sérieux dans le circuit électrique.

Consulter le concessionnaire de moteurs hors-bord SUZUKI.

CARACTERISTIQUES

Elément	DF25
Type de moteur	4 temps
Nombre de cylindres	2
Alésage et course	71,0 × 68,0 mm (2,80 × 2,68 in.)
Cylindrée	538 cm ³ (32,8 cu. in.)
Puissance	18,4 kW (25PS)
Plage de fonctionnement sous accélération maximale	4700 – 5300 tr/min. (min ⁻¹)
Régime de ralenti (au point mort)	1000 ± 50 tr/min. (min ⁻¹)
Système d'allumage	SUZUKI PEI
Graissage du moteur	Lubrification par pompe trochoïdale
Capacité d'huile du moteur	1,5 L (1,6/1,3 US/Imp. qt.)

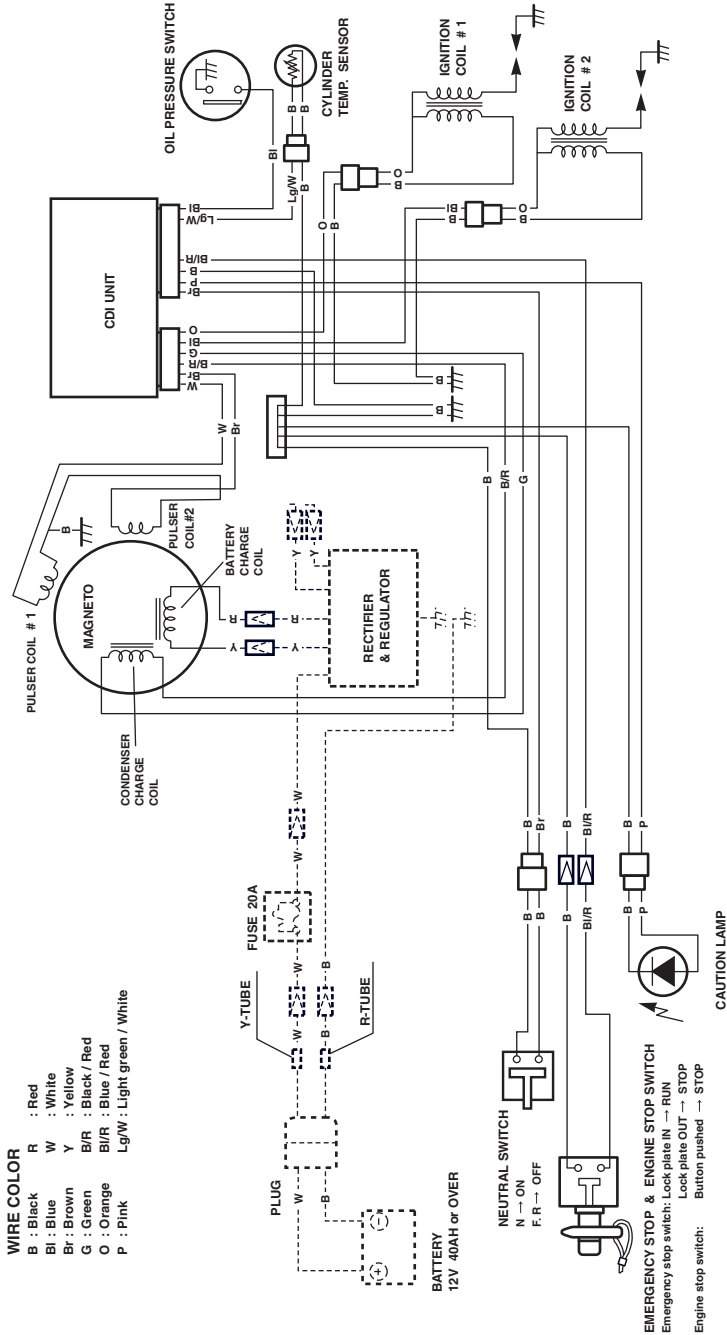
Puissance nominale calculée conformément à la méthode NMMA.

WIRING DIAGRAM SCHEMA DE CABLAGE

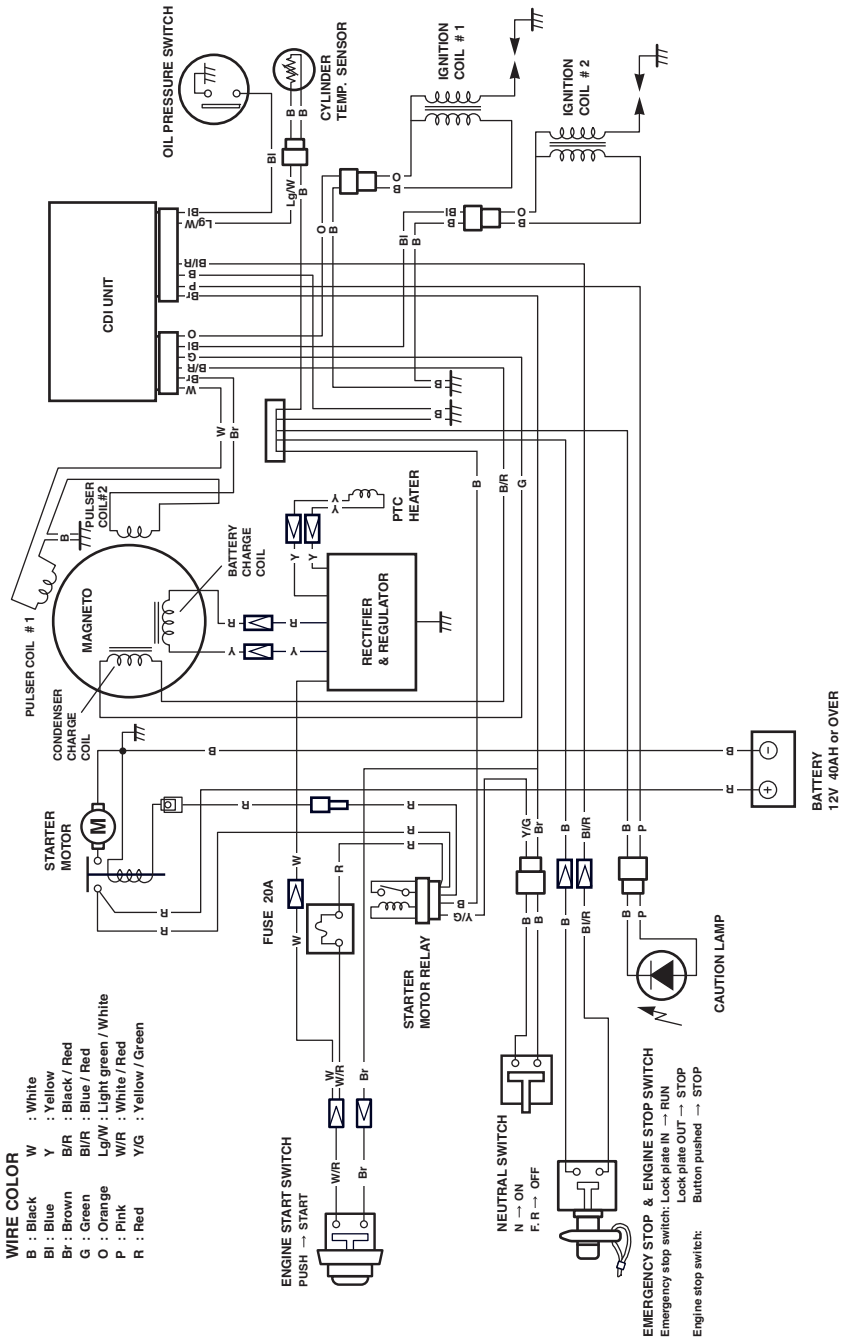


WIRING DIAGRAM

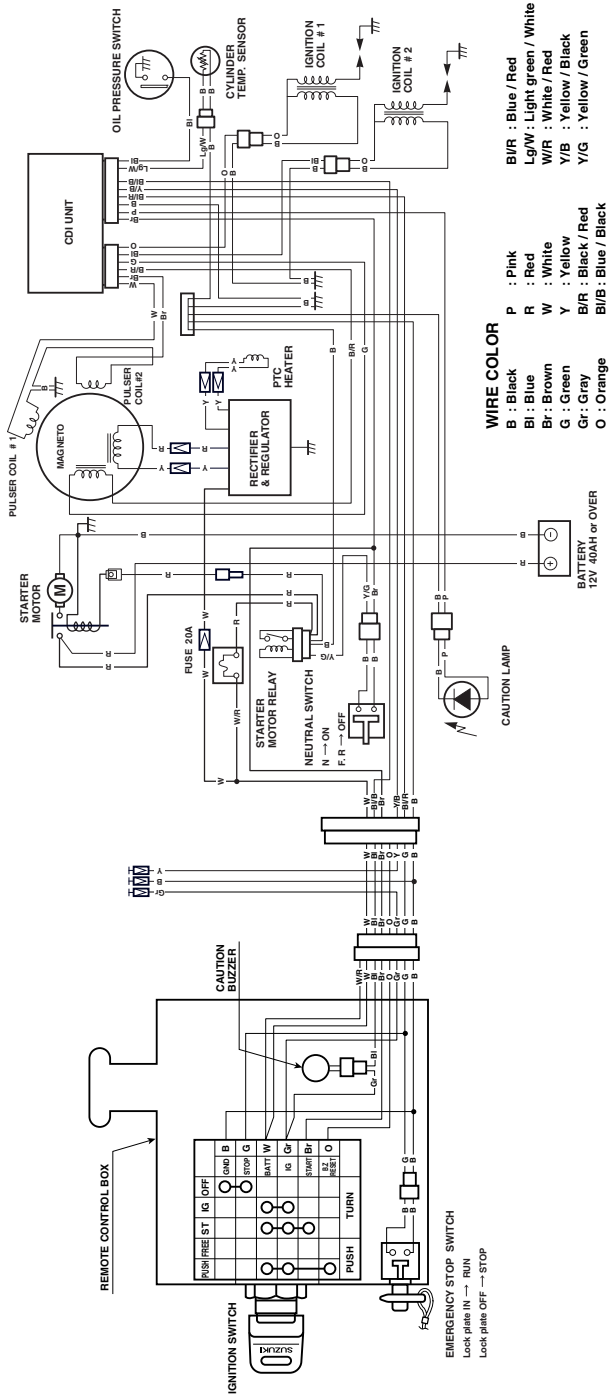
DF25 (RECOIL STARTER MODEL)



DF25E (ELECTRIC STARTER MODEL)



DF25R (REMOTE CONTROL MODEL)



WIRE COLOR

- B : Black
- Bl : Blue
- Br : Brown
- G : Green
- Gr : Gray
- O : Orange
- P : Pink
- R : Red
- W : White
- Y : Yellow
- B/R : Black / Red
- B/G : Blue / Black
- B/W : Blue / White
- Lg/W : Light green / White
- W/R : White / Red
- Y/B : Yellow / Black
- Y/G : Yellow / Green

EMERGENCY STOP SWITCH
 Lock plate IN → RUN
 Lock plate OFF → STOP

Prepared by

SUZUKI MOTOR CORPORATION

Outboard Motor Engineering Department

April, 2011

Part No. 99011-95J10-03B

Printed in Japan

© COPYRIGHT SUZUKI MOTOR CORPORATION 2011



SUZUKI MOTOR CORPORATION
300 TAKATSUKA, MINAMI, HAMAMATSU, JAPAN

Printed in Japan